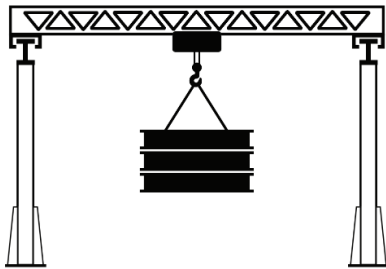


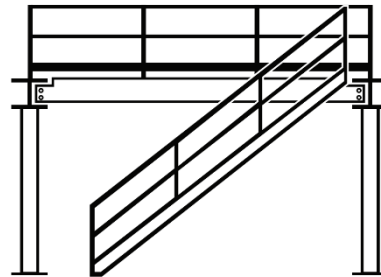


PRODUCT CATALOG

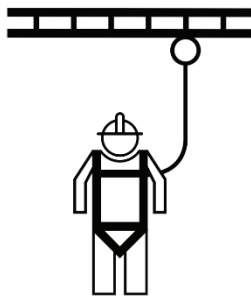
A comprehensive list of PWI products.



OVERHEAD CRANES
Get more done with less effort.



MEZZANINES
MFG space for a fraction
of new construction.



FALL PROTECTION
Work safely and meet compliance.



MISCELLANEOUS
PWI has a wide variety of solutions to
accommodate your MFG workflow

We **MAXIMIZE YOUR PRODUCTION**
by providing overhead cranes, mezzanines, and fall protection.



Welcome Page

Welcome to the PWI Product Catalog!

Step into a realm of superior engineering and innovation with PWI, your foremost destination for high-quality solutions in Nappanee, Indiana. With a steadfast dedication to excellence and customer satisfaction, PWI stands as a beacon of reliability in the industry.

As you explore our catalog, you'll encounter a diverse array of products meticulously crafted to elevate your operations. From robust Overhead Cranes and innovative BTH Devices to versatile Mezzanines and essential Fall Protection equipment, we offer a comprehensive selection to fulfill your needs.

Quality is the cornerstone of our ethos at PWI. Each product undergoes stringent testing and adheres to the strictest standards, ensuring unparalleled performance and longevity.

Whether you're enhancing industrial efficiency, optimizing workspace utilization, or ensuring safety at heights, our catalog has you covered. Dive into our main product categories:

- Overhead Cranes, including advanced BTH Devices for enhanced functionality
- Mezzanines, providing customizable solutions for expanding workspace
- Fall Protection equipment, safeguarding personnel in elevated environments

Count on our team of experts to provide unparalleled support and guidance. Whether you have inquiries or require assistance, we're here to assist you every step of the way.

Thank you for entrusting PWI with your needs. We're excited to embark on this journey with you, delivering exceptional products and service that exceed your expectations.

Welcome to excellence. Welcome to PWI.





PWI Mission Statement

The mission of PWI is to design and deliver smart, fabricated solutions, while maintaining valued relationships with our customers and vendors. Our team recognizes every opportunity as a gift from God, which calls us to work with integrity and to live with open hands throughout our communities.

PWI Core Values

01

SSD: SMART • SOLUTIONS • DELIVERED

We deliver smart solutions to every customer every day.



02

SOU

We have a constant Sense of Urgency, regardless if someone's watching.



03

SELF-EMPLOYED MENTALITY

It's not just a J-O-B, we act like we own the place.



04

INTEGRITY

We do the right thing in every case, regardless of the cost.



05

NO GOSSIP

We pass negatives UP and positives ALL AROUND.



06

TEAM

We care, assume the best, and say the hard things.



07

EXCELLENCE IN THE ORDINARY

We are faithful even in the little things.



08

HUMILITY

It is amazing what we accomplish, when we don't care who gets the credit.



09

GENEROSITY

We live with open hands because every project is a gift from God.



10

ATTITUDE

We are NOT Donkeys, we are Thoroughbreds.



PWI Product Divisions



OVERHEAD CRANES

Get more work done with less effort. We have installed cranes in garages, shops, manufacturing plants, and assembly lines. Cranes are versatile tools that help you get more work done with less effort.



MEZZANINES

Is your building crowded and overflowing? Why spend a year on a construction project when you could have a mezzanine installed in weeks. Oh yeah, it's also a fraction of the cost.



FALL PROTECTION

With a personal fall protection system, your employees will be safe and more productive. Efficiency drops in unsafe environments.



Cranes Index



Cranes

Cranes

- [Top Running Cranes](#)
- [Underhung Cranes](#)
- [Ultralite Series Cranes](#)
- [Hyperlite Series Cranes](#)
- [Garage Series Cranes](#)
- [Jib Cranes](#)

Mezzanine

Mezzanine

- [Gantry Cranes](#)
- [Panels & Controls](#)
- [End Trucks](#)
- [End Stops](#)
- [Columns & Footings](#)
- [Misc. Cranes](#)

Fall Protection

Fall Protection

- [Interlocks](#)
- [BTH](#)
- [Crane Accessories](#)

Misc.

Misc.

Product specifications and dimensions are approximate and for informational purposes only. Variations may occur due to design or manufacturing adjustments. For exact measurements, please confirm with our customer service before ordering. PWI reserves the right to modify specifications without notice.



Overhead Bridge Cranes

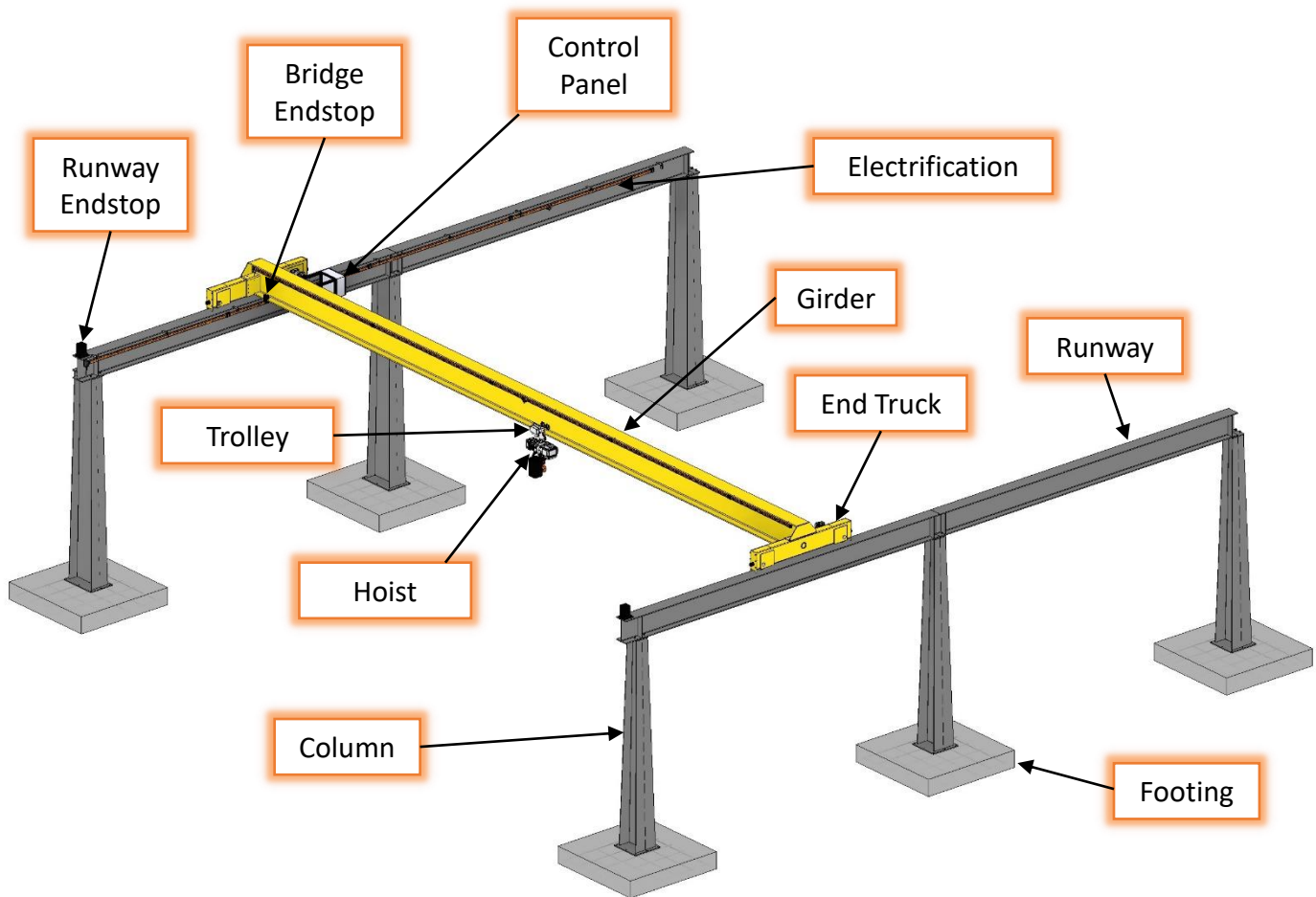


Product Description

Overhead Bridge Cranes are typical for heavy-duty material handling needs. An overhead bridge crane can improve safety while also increasing efficiency. Our team will help you design your crane to meet your manufacturing workflow.

Product Features

- Capacity ratings
- Wireless controls
- Safety options include beacons, buzzers, time delays
- Multiple hoists on one Girder
- Up/down limits
- Collision avoidance



Product specifications and dimensions are approximate and for informational purposes only. Variations may occur due to design or manufacturing adjustments. For exact measurements, please confirm with our customer service before ordering. PWI reserves the right to modify specifications without notice.



Top Running Bridge Crane Spec Sheet



Company:		
Project Number:		
Date:		
	Specifications	Details:
1	Span	
2	Capacity	
3	CMAA Class	
4	Crane Weight	
5	Crane Type	
6	Number of Hoists on Crane	
7	Bridge Speed	
8	Bridge Collision Avoidance	
9	Trolley Speed	
10	Shaw-Box SK 10 Ton, 20' lift	
11	Max Trolley Flange Width	
12	Hoist Lift Speed (wire rope)	
13	Hoist and Trolley Weight	
14	Girder Connection	
15	Radio Remote Control	
16	Festoon Pendant control	
17	Bridge Electrification	
18	Max Wheel Loading	
19	End Truck Wheel Diameter	
20	End Truck Wheel Base	
21	Runway Rails	
22	Runway Electrification	
23	Mainline Disconnect	
24	Crane Power Supply Voltage	
25		
26		
27		
28		
29		

Cranes

Mezzanine

Fall Protection

Misc.

Cranes

Mezzanine

Fall Protection

Misc.

Product specifications and dimensions are approximate and for informational purposes only. Variations may occur due to design or manufacturing adjustments. For exact measurements, please confirm with our customer service before ordering. PWI reserves the right to modify specifications without notice.

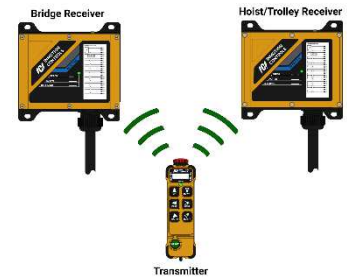


Motorized Top Running Single Girder Bridge Crane



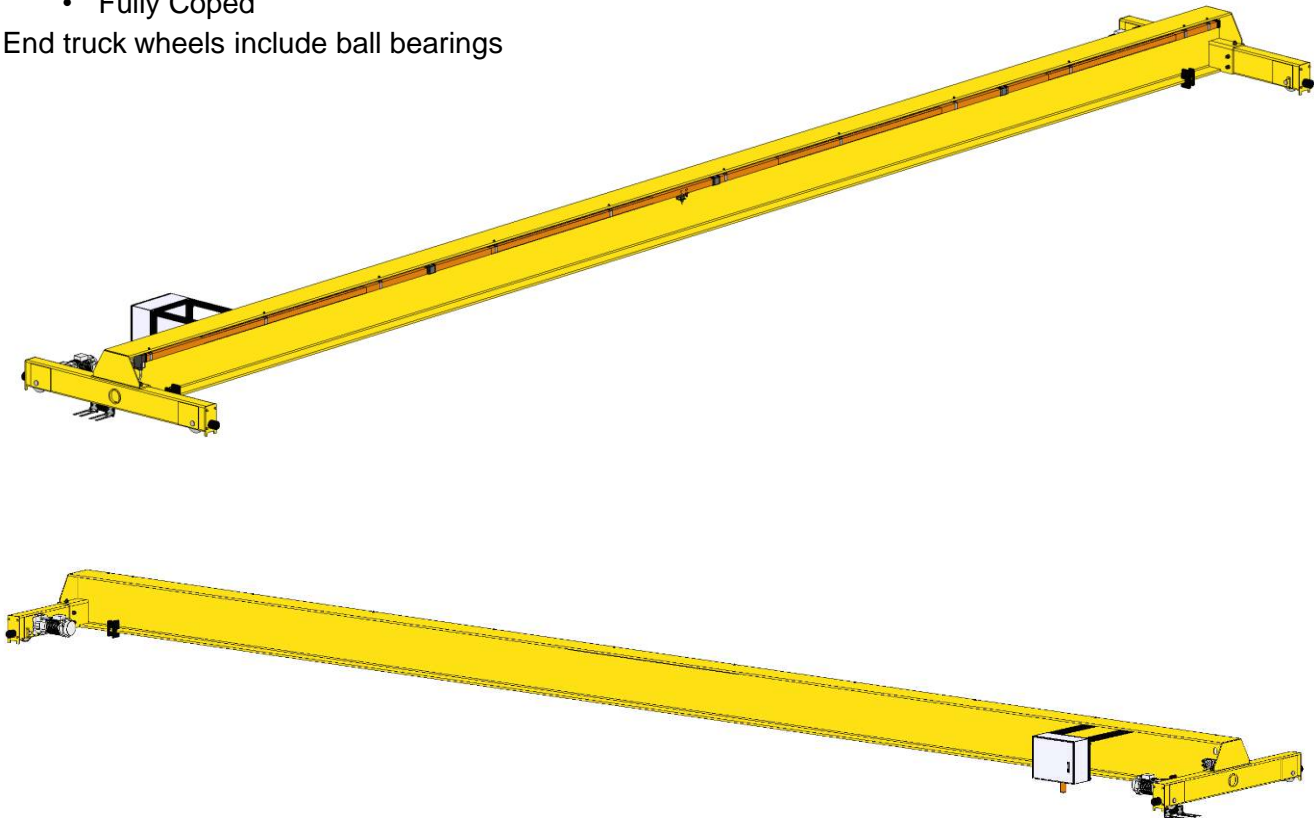
Product Description

- Bridge crane rolls on ASCE crane rail runway
- Typically used for standard duty applications



Product Features

- Capacity: 1 Ton, 2 Ton, 3 Ton, 5 Ton, 6 Ton, 7.5 Ton, 8 Ton, 10 Ton
- Span: 10'-70'
- Starke STT end trucks
- Monorail wire rope hoist or chain hoists
- INMOTION Controls
- Girder to end truck mounting options:
 - Riser
 - Top Mounted
 - Fully Coped
- End truck wheels include ball bearings



Product specifications and dimensions are approximate and for informational purposes only. Variations may occur due to design or manufacturing adjustments. For exact measurements, please confirm with our customer service before ordering. PWI reserves the right to modify specifications without notice.



Motorized Top Running Single Girder Bridge Crane



Cranes

Mezzanine

Fall Protection

Misc.

Cranes

Mezzanine

Fall Protection

Misc.



Product specifications and dimensions are approximate and for informational purposes only. Variations may occur due to design or manufacturing adjustments. For exact measurements, please confirm with our customer service before ordering. PWI reserves the right to modify specifications without notice.



Motorized Top Running Single Girder Bridge Crane



Cranes

Cranes

Mezzanine

Mezzanine

Fall Protection

Fall Protection

Misc.

Misc.

Product specifications and dimensions are approximate and for informational purposes only. Variations may occur due to design or manufacturing adjustments. For exact measurements, please confirm with our customer service before ordering. PWI reserves the right to modify specifications without notice.

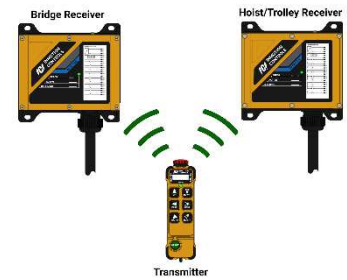


Motorized Top Running Tripple Girder Bridge Crane



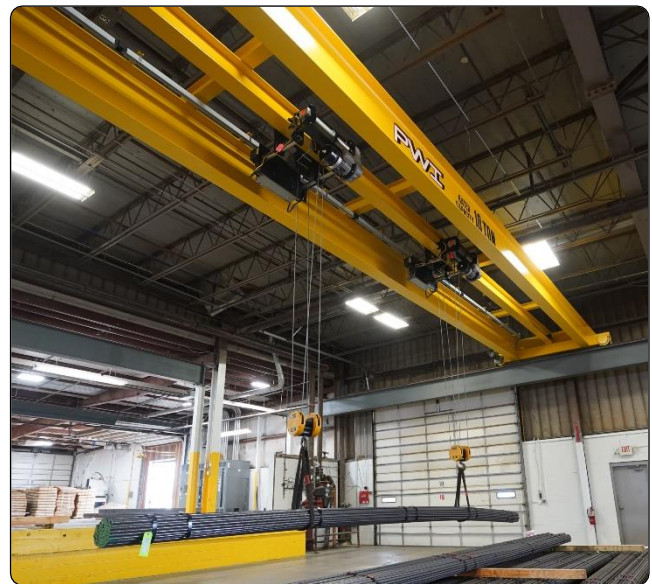
Product Description

- Bridge crane rolls on ASCE crane rail runway
- Typically used for heavy duty and/or long span applications



Product Features

- Capacity: 2T, 3T, 5T, 7.5T, 10T, 15T
- Span: 20'-70'
- Starke STT end trucks
- Wire rope hoist
- INMOTION Controls
- Girder to end truck mounting options:
 - Top Mounted
 - Partial Cope
 - Full Cope
 - Drop Cope
 - Drop Step Cope



Product specifications and dimensions are approximate and for informational purposes only. Variations may occur due to design or manufacturing adjustments. For exact measurements, please confirm with our customer service before ordering. PWI reserves the right to modify specifications without notice.

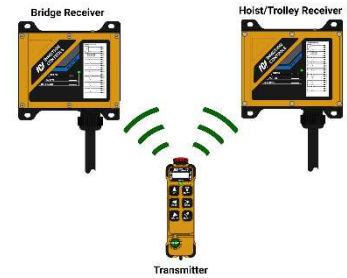


Motorized Top Running Double Girder Bridge Crane



Product Description

- Low Headroom double girder bridge crane
- Bridge crane rolls on crane rail
- Typically used for standard duty applications



Product Features

- Capacity: 1 Ton, 2 Ton, 3 Ton, 5 Ton, 6 Ton, 7.5 Ton, 8 Ton, 10 Ton
- Span: 10'-70'
- Starke STT end trucks for bridge motion
- Starke SCU end trucks for trolley motion
- Base Mount wire rope hoist or chain hoists
- INMOTION Controls
- End truck wheels include ball bearings



Product specifications and dimensions are approximate and for informational purposes only. Variations may occur due to design or manufacturing adjustments. For exact measurements, please confirm with our customer service before ordering. PWI reserves the right to modify specifications without notice.



Motorized Top Running Double Girder Bridge Crane



Cranes

Cranes

Mezzanine

Mezzanine

Fall Protection

Fall Protection

Misc.

Misc.

Product specifications and dimensions are approximate and for informational purposes only. Variations may occur due to design or manufacturing adjustments. For exact measurements, please confirm with our customer service before ordering. PWI reserves the right to modify specifications without notice.

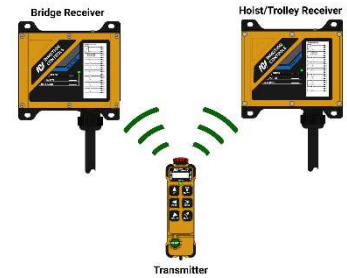


Motorized Top Running Double Girder Bridge Crane



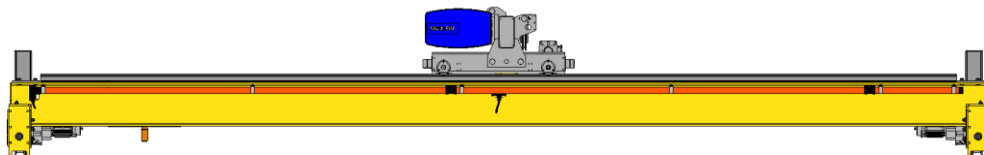
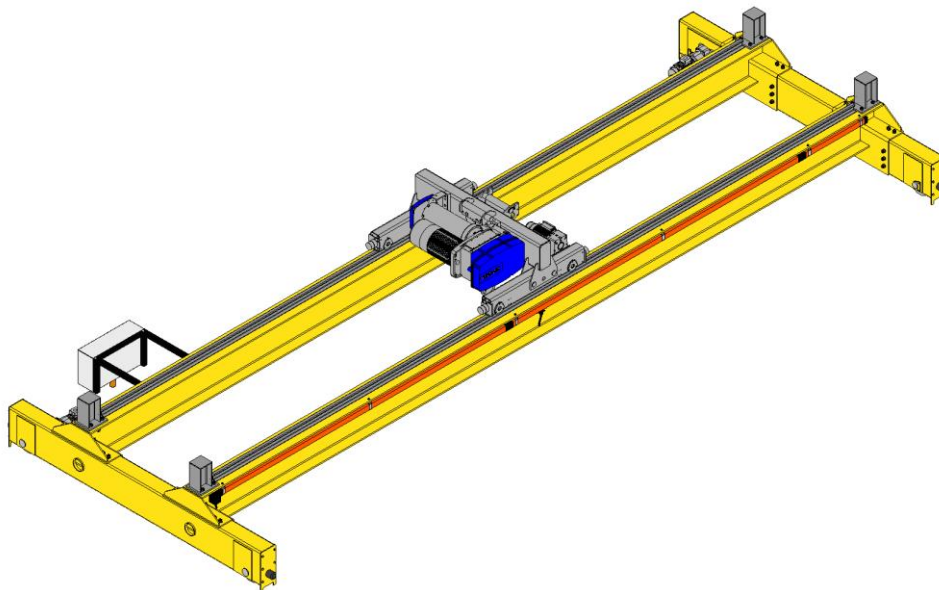
Product Description

- Bridge crane rolls on ASCE crane rail runway
- Typically used for heavy duty and/or long span applications



Product Features

- Capacity: 7.5 Ton, 10 Ton, 15 Ton, 20 Ton
- Span: 20'-110'
- Starke STT end trucks
- Top running wire rope hoist
- INMOTION Controls
- Girder to end truck mounting options:
 - Top Mounted
 - Partial Cope
 - Full Cope
 - Drop Cope
 - Drop Step Cope



Product specifications and dimensions are approximate and for informational purposes only. Variations may occur due to design or manufacturing adjustments. For exact measurements, please confirm with our customer service before ordering. PWI reserves the right to modify specifications without notice.

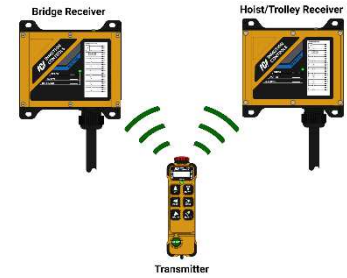


Motorized Top Running Mono Box Girder Bridge Crane



Product Description

- Bridge crane rolls on ASCE crane rail runway
- Typically used for heavy duty and/or long span applications

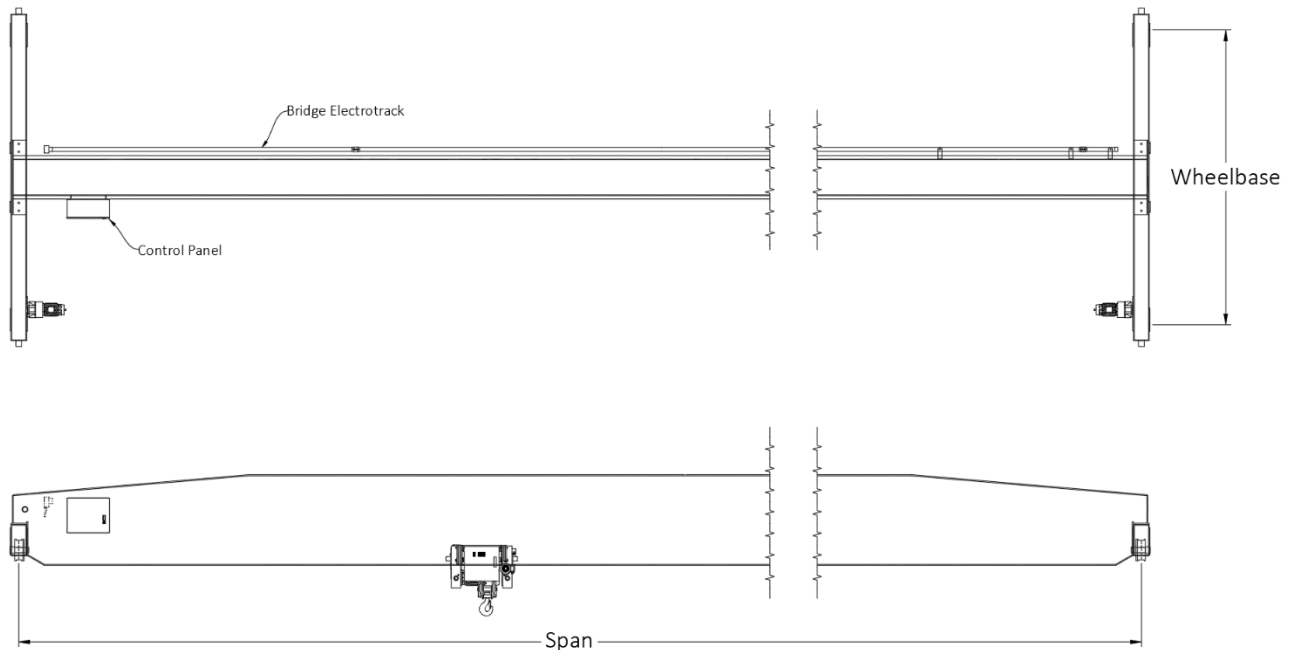


Product Features

- Capacity: 1 Ton, 2 Ton, 3 Ton, 5 Ton, 6 Ton, 7.5 Ton, 8 Ton, 10 Ton, 12.5 Ton, 15 Ton
- Span: 20'-160'
- Starke STT end trucks
- Mono Box
- Monorail wire rope hoist
- INMOTION Controls
- Girder to end truck mounting options:
 - Top Mounted
 - Partial Cope
 - Full Cope
 - Drop Cope
 - Drop Step Cope
 - Tapered



Learn more!



Product specifications and dimensions are approximate and for informational purposes only. Variations may occur due to design or manufacturing adjustments. For exact measurements, please confirm with our customer service before ordering. PWI reserves the right to modify specifications without notice.

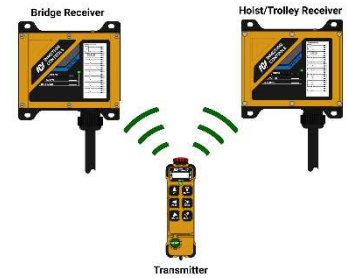


Motorized Top Running Mono Box Girder Bridge Crane



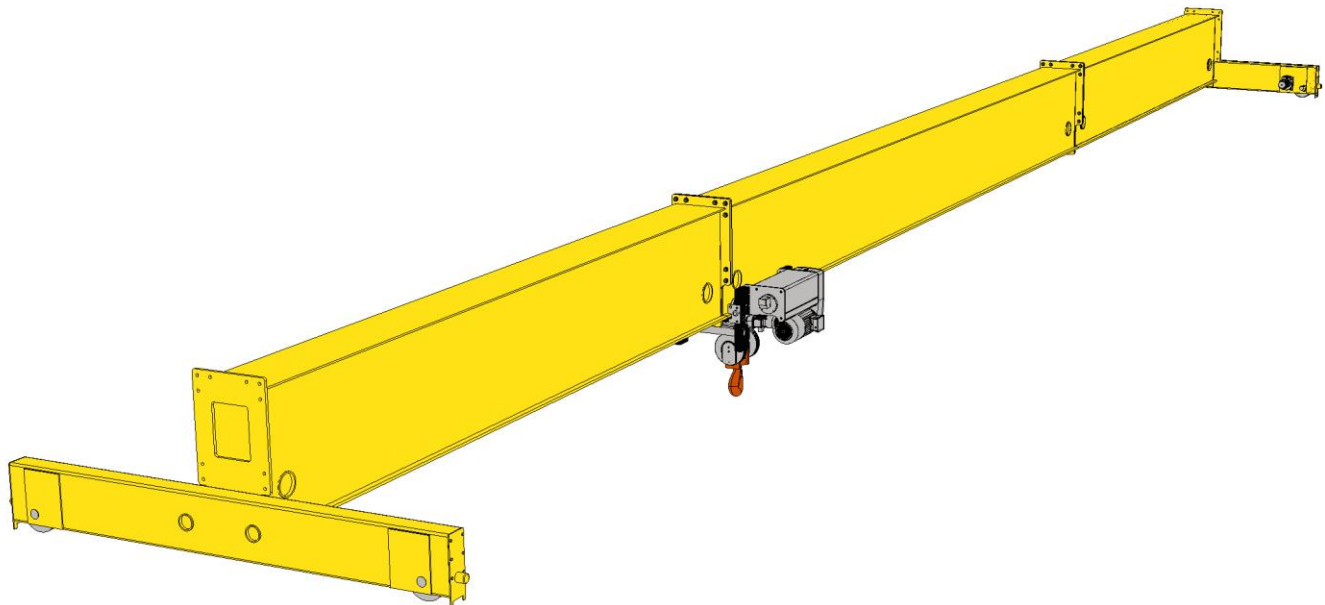
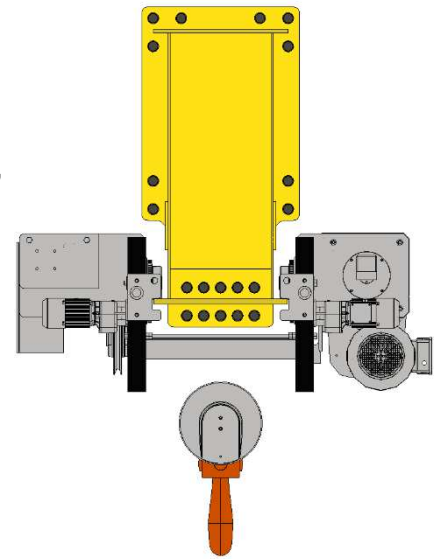
Product Description

- Modular Box Girder Design
- Bridge crane rolls on ASCE crane rail runway
- Typically used for heavy duty and/or long span applications
- The modular design allows for easier assembly, disassembly and transport for bridge cranes used in temporary situations.
- Modular design also allows custom sections to be fabricated to adjust span while avoiding the need to replace the entire girder.



Product Features

- Capacity: 1 Ton, 2 Ton, 3 Ton, 5 Ton, 6 Ton, 7.5 Ton, 8 Ton, 10 Ton, 12.5 Ton, 15 Ton
- Span: 20'-160'
- Starke STT end trucks
- Mono Box
- Monorail wire rope hoist
- INMOTION Controls
- Girder to end truck mounting options:
 - Side Mount



Product specifications and dimensions are approximate and for informational purposes only. Variations may occur due to design or manufacturing adjustments. For exact measurements, please confirm with our customer service before ordering. PWI reserves the right to modify specifications without notice.

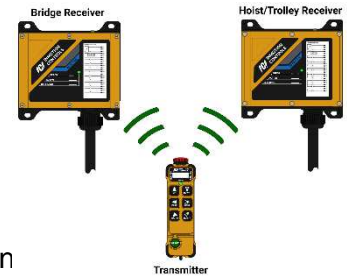


Motorized Top Running Double Box Girder Bridge Crane



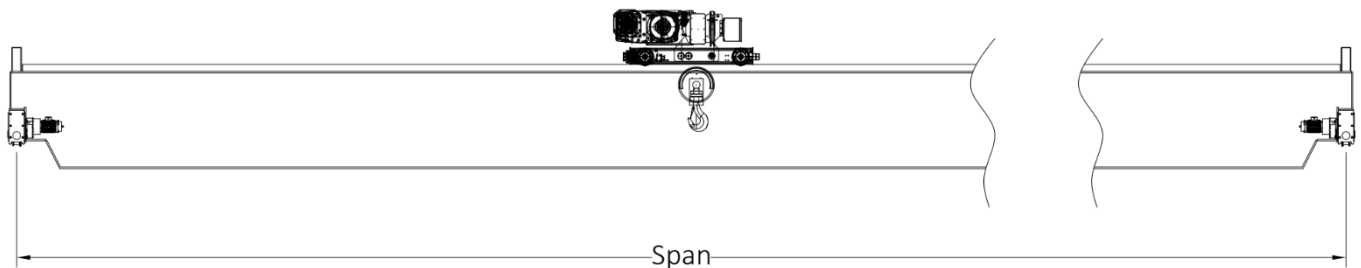
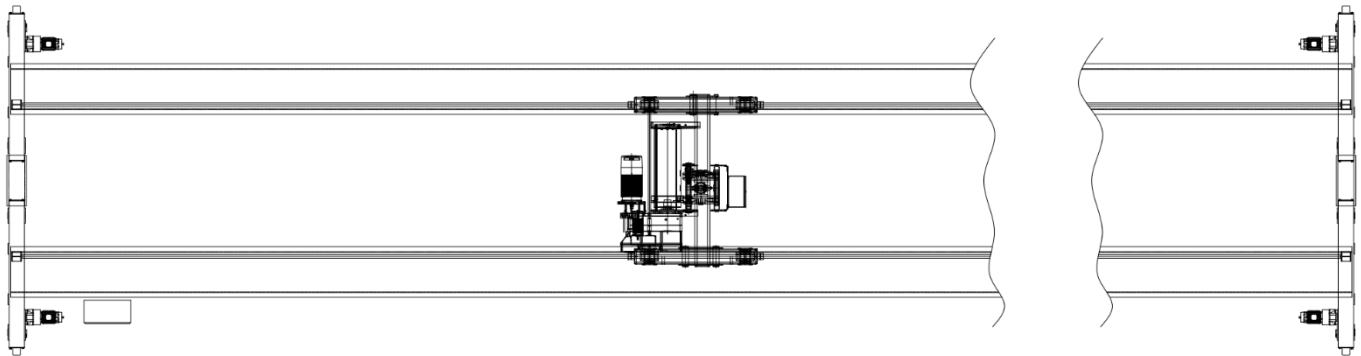
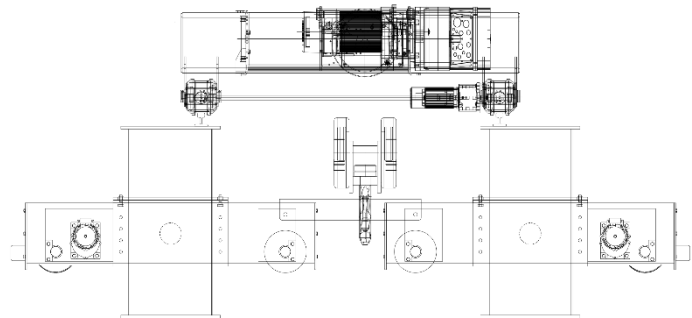
Product Description

- Bridge crane rolls on ASCE crane rail runway
- Typically used for heavy duty and/or long span applications



Product Features

- Capacity: 7.5 Ton, 10 Ton, 15 Ton, 20 Ton, 25 Ton, 30 Ton, 40 Ton, 50 Ton
- Span: 20'-160'
- Starke STT end trucks
- Double Box
- Top running wire rope hoist
- INMOTION Controls
- Girder to end truck mounting options:
 - Top Mounted
 - Partial Cope
 - Full Cope
 - Drop Cope
 - Drop Step Cope



Product specifications and dimensions are approximate and for informational purposes only. Variations may occur due to design or manufacturing adjustments. For exact measurements, please confirm with our customer service before ordering. PWI reserves the right to modify specifications without notice.



Cranes

Mezzanine

Fall Protection

Misc.

Cranes

Mezzanine

Fall Protection

Misc.

Top Running Crane Design Form



The purpose of this form is to help crane OEM's design top running bridge cranes.

Customer Name:

Project Description:

Project #:

Girder Type:

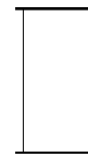
Single Girder

Double Girder

Girder Member Shape:

W Beam Girder Size: _____

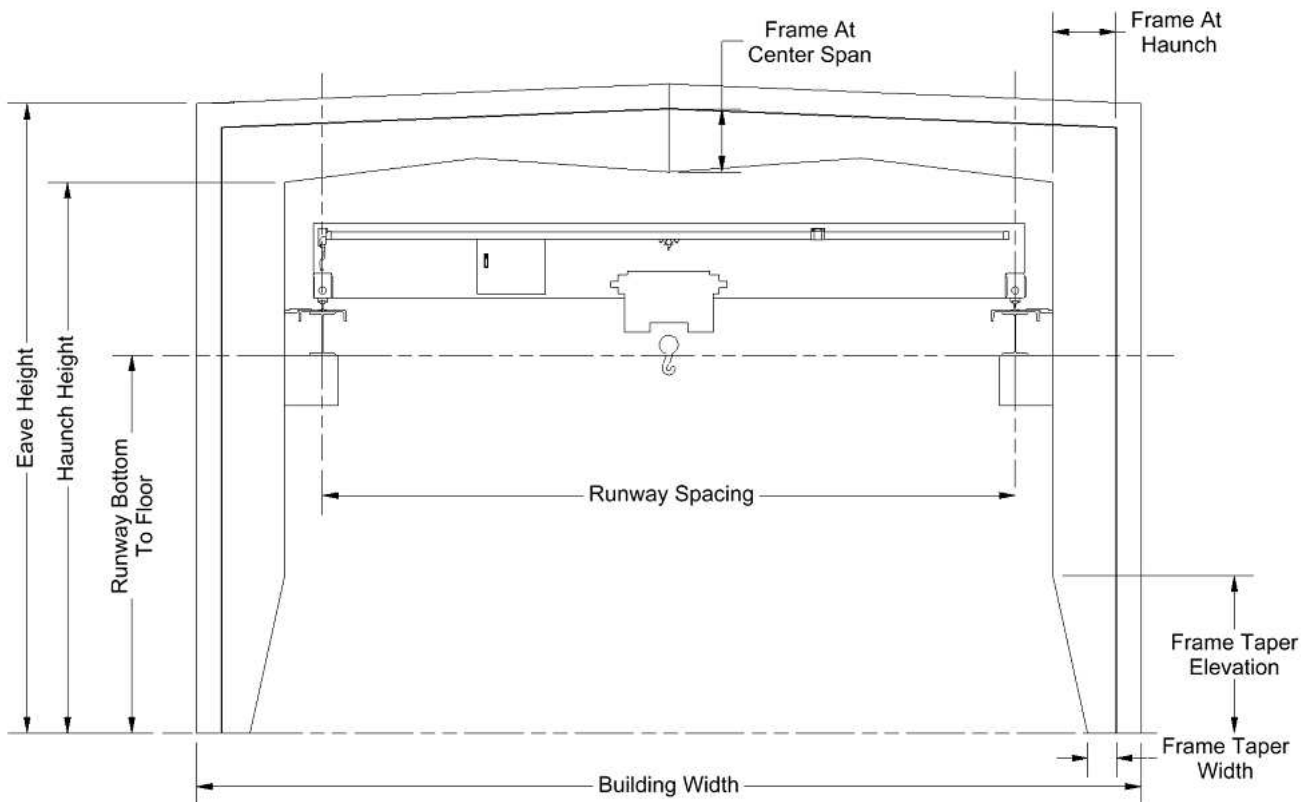
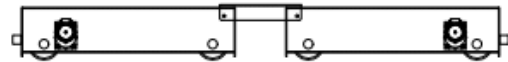
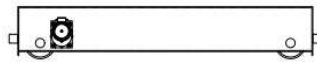
Box Girder Size: _____



Number of End Trucks:

Single End Truck

Bogey End Truck



Product specifications and dimensions are approximate and for informational purposes only. Variations may occur due to design or manufacturing adjustments. For exact measurements, please confirm with our customer service before ordering. PWI reserves the right to modify specifications without notice.



Top Running Crane Design Form



Cranes

Cranes

STT Wheel Loading / Wheelbase																																						
	Girder Qty.	D ↓	A →	42"	48"	54"	60"	66"	72"	78"	84"	90"	96"	102"	108"	114"	120"	126"	132"	138"	144"	150"	156"	162"	168"	174"	180"	186"	192"	198"	204"	210"	216"	222"	228"			
STT-130	1	7.87"		→	→	→	→	→	7,100																													
STT-170	1	9.84"			→	→	→	→	→	→	→	→	→	→	10,800	10,100	9,400	8,800																				
	2																																					
STT-250	1	15.74"				→	→	→	→	→	→	→	→	→	→	→	→	→	→	→	→	→	→	→	→	→	→	→	→	→	→	→	→	→	→	→		
	2																																					
STT-300	1	15.74"	lbs. →																																			
	2																																					
	1	20"																																				
	2																																					
STT-500	1	24"																																				
	2																																					
	1	30"																																				
	2																																					

Double Girder = 60" Minimum Gage

Mezzanine

Mezzanine

STT Wheel Loading / Crane Rail													
STT End Truck Wheel Specs				ASCE Crane Rail Size									
Diameter		Tread Width		25#	30#	40#	60#	80#	85#	90#	105#	Head Width (in.)	
				mm	in.	mm	in.	1.50	1.69	1.88	2.38		
130	5.12	50	1.97	7,100									
170	6.69	70	2.76		10,700	10,700							
250	9.84	70	2.76		15,700	18,400	25,800						
300	11.81	80	3.15			22,200	30,500	30,500	30,500	30,500	30,500		
500	19.69	90	3.54				48,500	48,500	48,500	48,500	48,500		

BHN 420 (Brinell Hardness Number)

Fall Protection

Fall Protection

Misc.

Misc.



← Check Inventory

CMAA 70

4.13.4 Proper Clearance for Bridge Wheels

A total of approximately 3/4 inch to one inch wider than rail head should be provided between the wheel flanges and rail head. Tapered tread wheels may have a clearance over the rail head of 150 percent of the clearance provided for straight tread wheels as recommended by the crane manufacturer.

Product specifications and dimensions are approximate and for informational purposes only. Variations may occur due to design or manufacturing adjustments. For exact measurements, please confirm with our customer service before ordering. PWI reserves the right to modify specifications without notice.

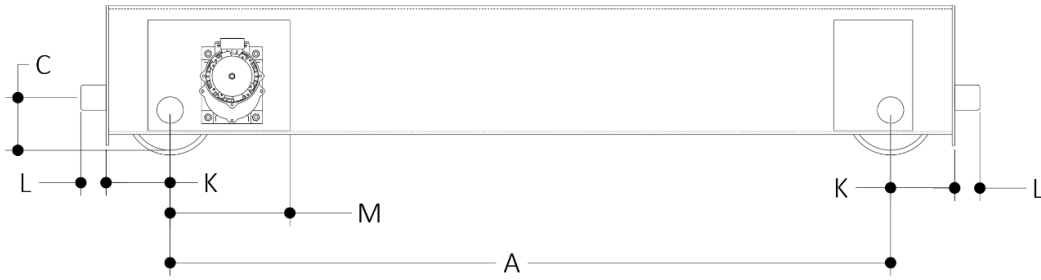


Top Running Crane Design Form



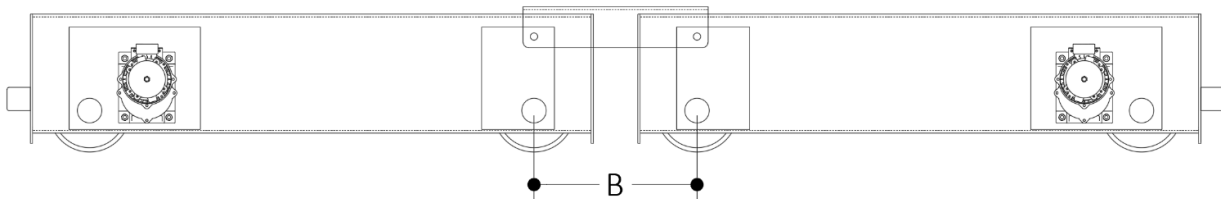
Cranes

Cranes



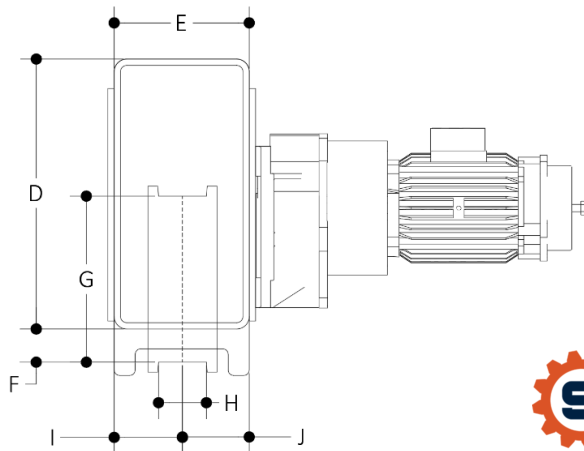
Mezzanine

Mezzanine



Fall Protection

Fall Protection



Misc.

Misc.

STT Dimensions														
STT mm	A min	A max	B min	C	D	E	F	G	H	I	J	K	L	M
130	42"	72"	13"	3.34"	7.87"	5.90"	.78"	5.12"	1.96"	2.95"	2.95"	5"	2.18"	7.55"
170	48"	96"	15"	3.54"	9.84"	5.90"	1"	6.69"	2.75"	2.65"	3.24"	6"	2.18"	9.05"
250	54"	120"	19"	6.29"	15.74"	7.87"	1.96"	9.84"	2.87"	3.93"	3.93"	8"	3.12"	15.15"
300	60"	138"	23"	6.29"	15.74"	7.87"	1.96"	11.81"	3.14"	3.93"	3.93"	10"	3.12"	16.45"
	138"	192"	23"	6.29"	20"	8"	1.96"	11.81"	3.14"	4"	4"	10"	3.12"	16.45"
500	66"	192"	31"	8.07"	24"	11"	1.96"	19.68"	3.54"	5.11"	5.89"	14"	4.72"	16"
	192"	228"	31"	8.07"	30"	11"	1.96"	19.68"	3.54"	5.11"	5.89"	14"	4.72"	16"

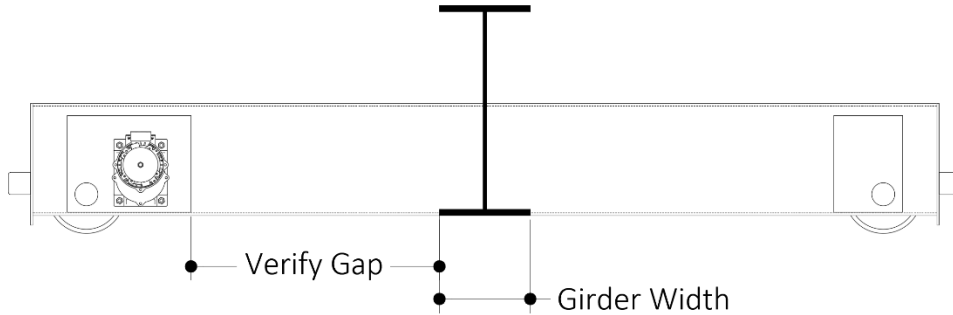
Product specifications and dimensions are approximate and for informational purposes only. Variations may occur due to design or manufacturing adjustments. For exact measurements, please confirm with our customer service before ordering. PWI reserves the right to modify specifications without notice.



Top Running Crane Design Form

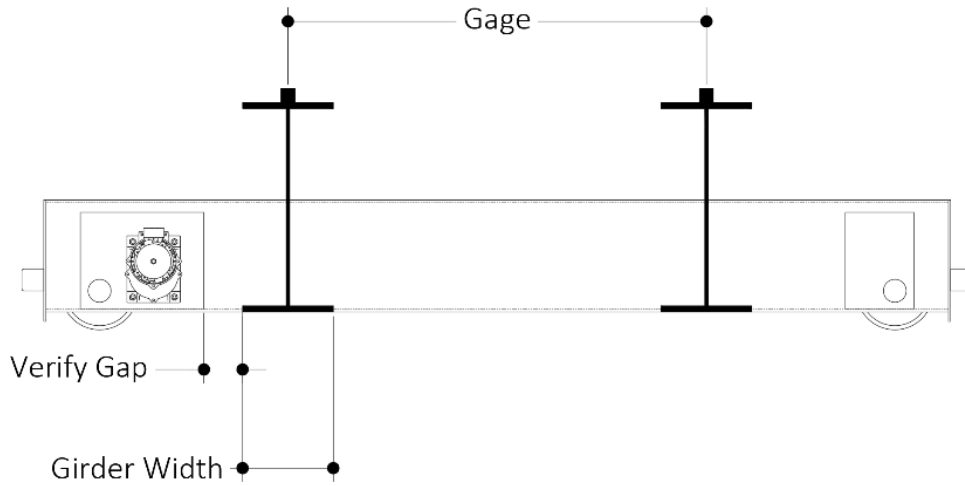


Cranes



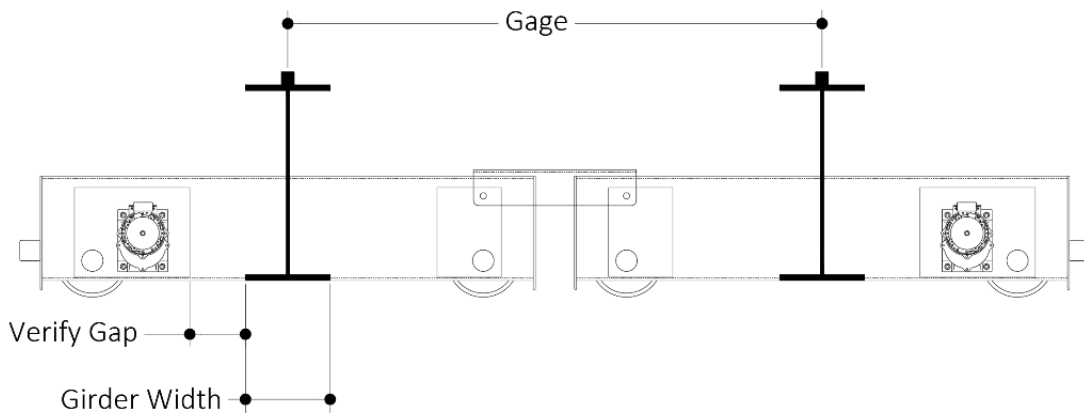
Cranes

Mezzanine



Mezzanine

Fall Protection



Fall Protection

Misc.

Misc.

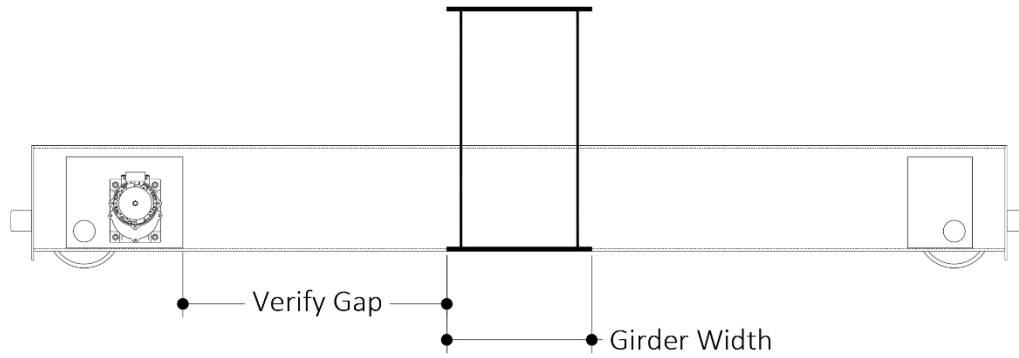
Product specifications and dimensions are approximate and for informational purposes only. Variations may occur due to design or manufacturing adjustments. For exact measurements, please confirm with our customer service before ordering. PWI reserves the right to modify specifications without notice.



Top Running Crane Design Form

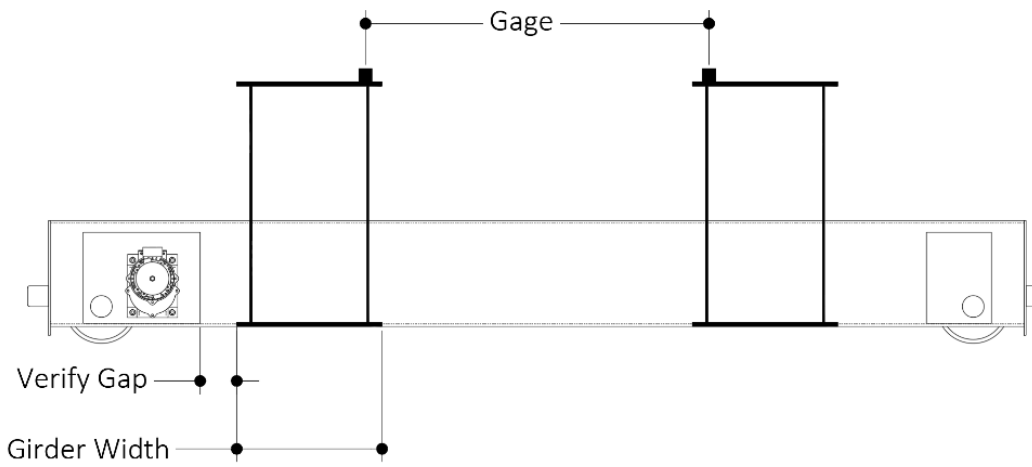


Cranes



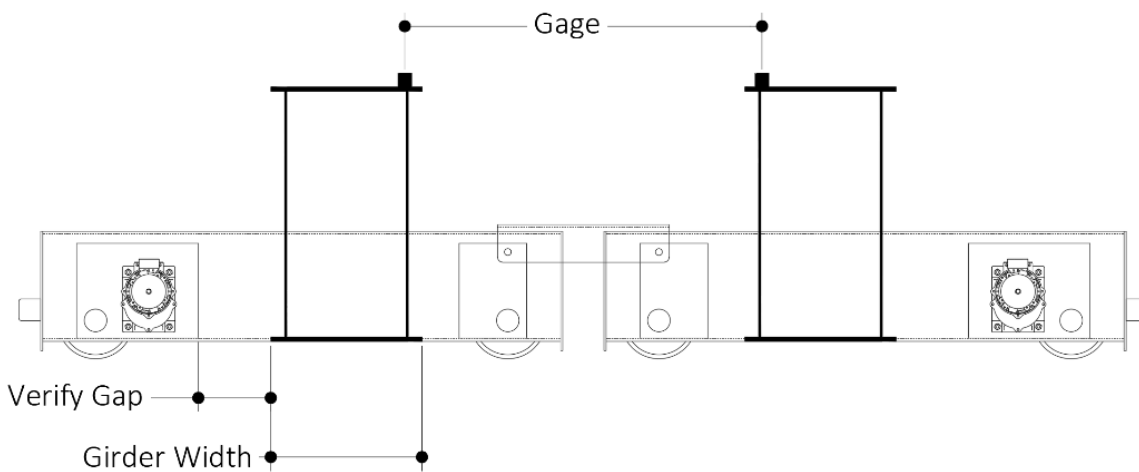
Cranes

Mezzanine



Mezzanine

Fall Protection



Fall Protection

Misc.

Misc.

Product specifications and dimensions are approximate and for informational purposes only. Variations may occur due to design or manufacturing adjustments. For exact measurements, please confirm with our customer service before ordering. PWI reserves the right to modify specifications without notice.



Top Running Crane Design Form



Girder to End Truck Mounting Options for Wide Flange Beams or Box Girders

Cranes

Cranes

Mezzanine

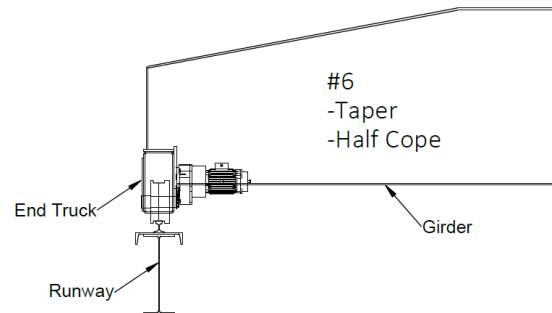
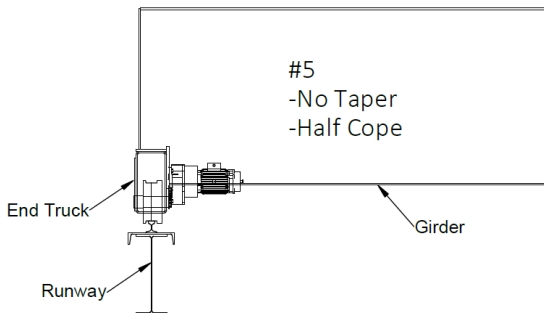
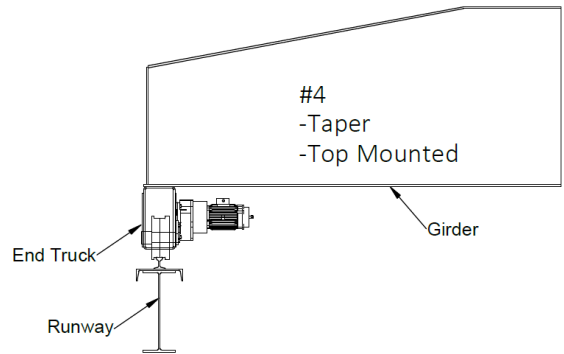
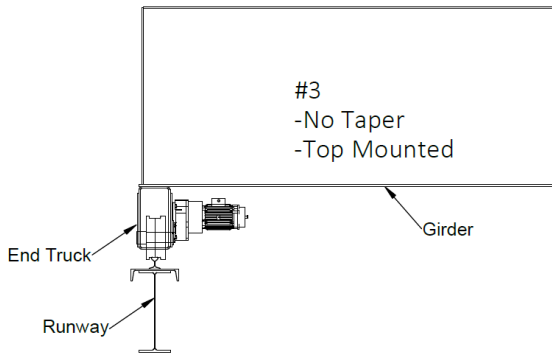
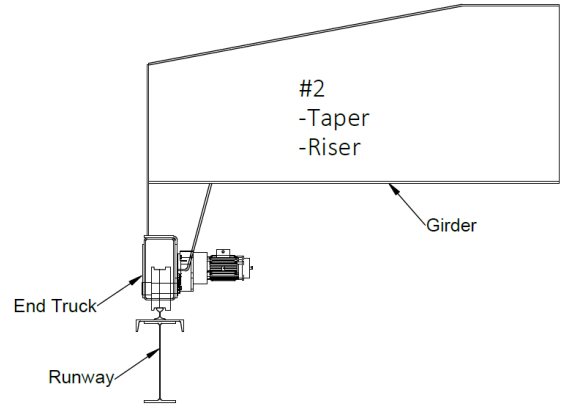
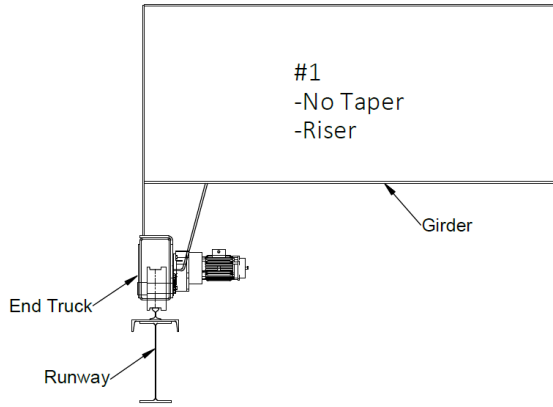
Mezzanine

Fall Protection

Fall Protection

Misc.

Misc.



Product specifications and dimensions are approximate and for informational purposes only. Variations may occur due to design or manufacturing adjustments. For exact measurements, please confirm with our customer service before ordering. PWI reserves the right to modify specifications without notice.

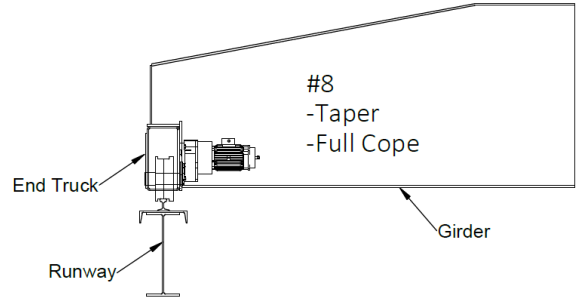
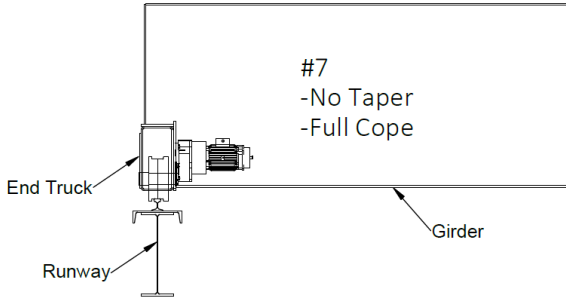


Top Running Crane Design Form

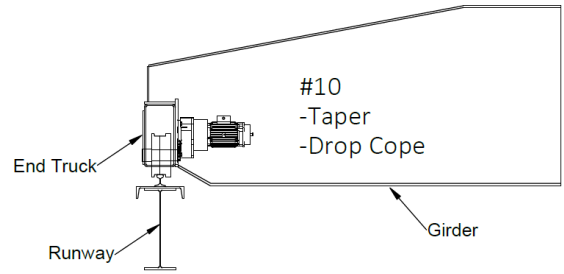
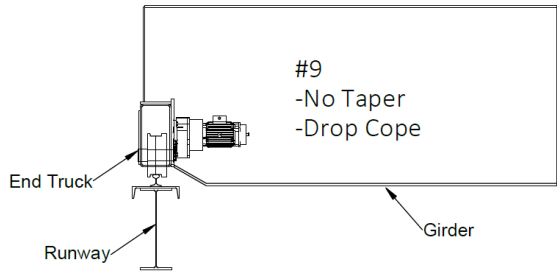


Girder to End Truck Mounting Options for Wide Flange Beams or Box Girders

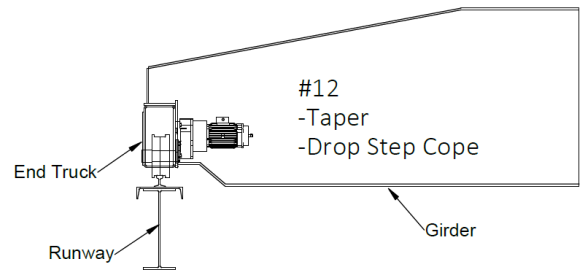
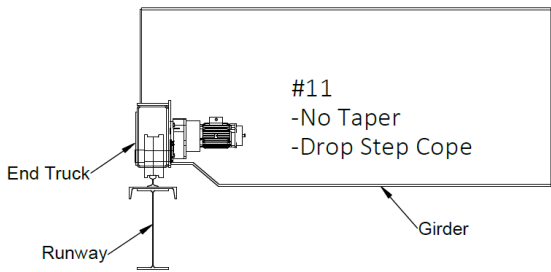
Cranes



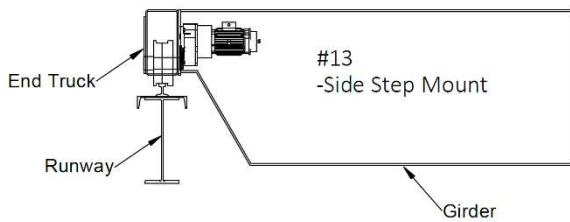
Mezzanine



Fall Protection



Misc.



Cranes

Mezzanine

Fall Protection

Misc.

Product specifications and dimensions are approximate and for informational purposes only. Variations may occur due to design or manufacturing adjustments. For exact measurements, please confirm with our customer service before ordering. PWI reserves the right to modify specifications without notice.



Box Girder Welding Procedure



Cranes

Mezzanine

Fall Protection

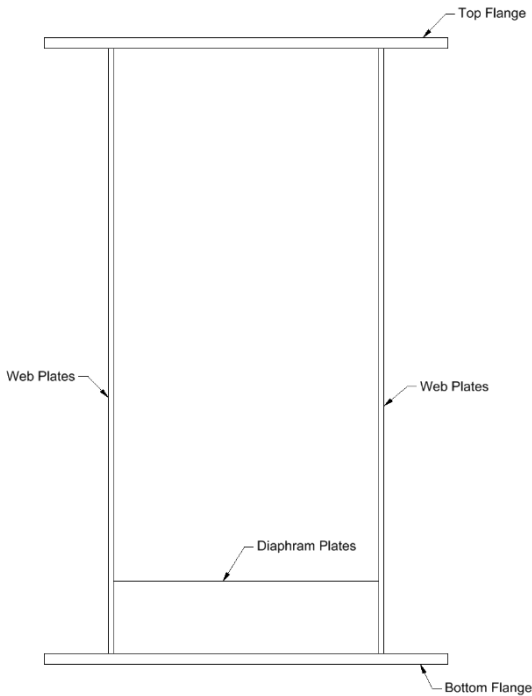
Misc.

Cranes

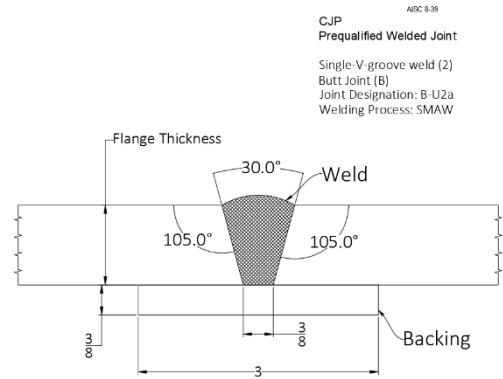
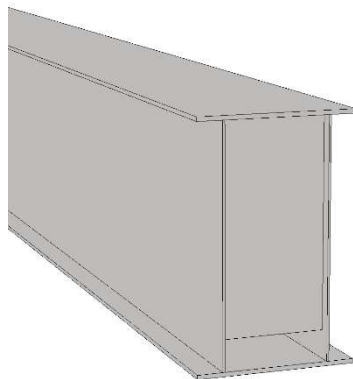
Mezzanine

Fall Protection

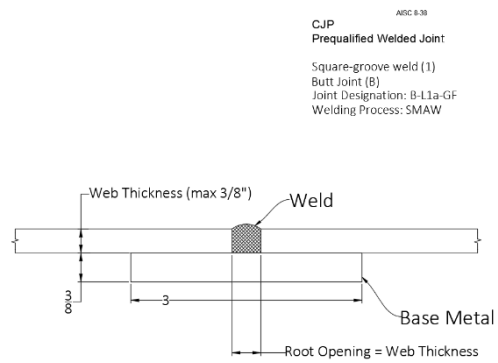
Misc.



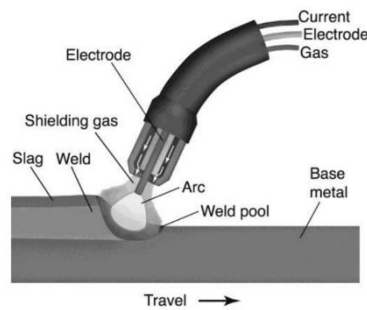
1. All welding must be performed by AISC certified welders.
2. Welding, both shop and field, shall be accomplished by qualified welders for the weld types and positions involved according to the "Structural Welding Code" AWS D14.1. Use only shielded arc electrodes of structural type. Use E-70 electrodes
3. Material list does not include miscellaneous metals, welding material and supplies, end truck material including diaphragm end plates, and other materials not included on the drawings
4. All plate steel for flanges and webs, angles and diaphragms shall be A572 or better.
5. Note: splices in top & bottom flanges shall be C.J.P single V-groove weld (flush). Splices in webs shall be C.J.P. single V-groove weld (flush) with backer plate.



AISC 8.38
CJP
Prequalified Welded Joint
Single V-groove weld (2)
Butt Joint (B)
Joint Designation: B-U2a
Welding Process: SMAW



AISC 8.38
CJP
Prequalified Welded Joint
Square-groove weld (1)
Butt Joint (B)
Joint Designation: B-L1a-GF
Welding Process: SMAW



© 2018 Lincoln Electric
FCAW-G Flux Cored Arc Welding (gas-shielded)
The gas-shielded versions of flux-cored electrodes use an externally supplied shielding gas.



Product specifications and dimensions are approximate and for informational purposes only. Variations may occur due to design or manufacturing adjustments. For exact measurements, please confirm with our customer service before ordering. PWI reserves the right to modify specifications without notice.



Freestanding Crane Columns



Product Description

- Supports braced or unbraced crane runways
- Effectively withstands imposed crane loads
- 5 options depending on system height, capacity, and structure type

Cranes

Cranes

Gusseted Pipe

Tube

Gusseted Tube

W Beam

Tapered Beam

Unbraced
2 Tone Paint

Braced
2 Tone Paint

Unbraced
2 Tone Paint

Braced

Unbraced

Mezzanine

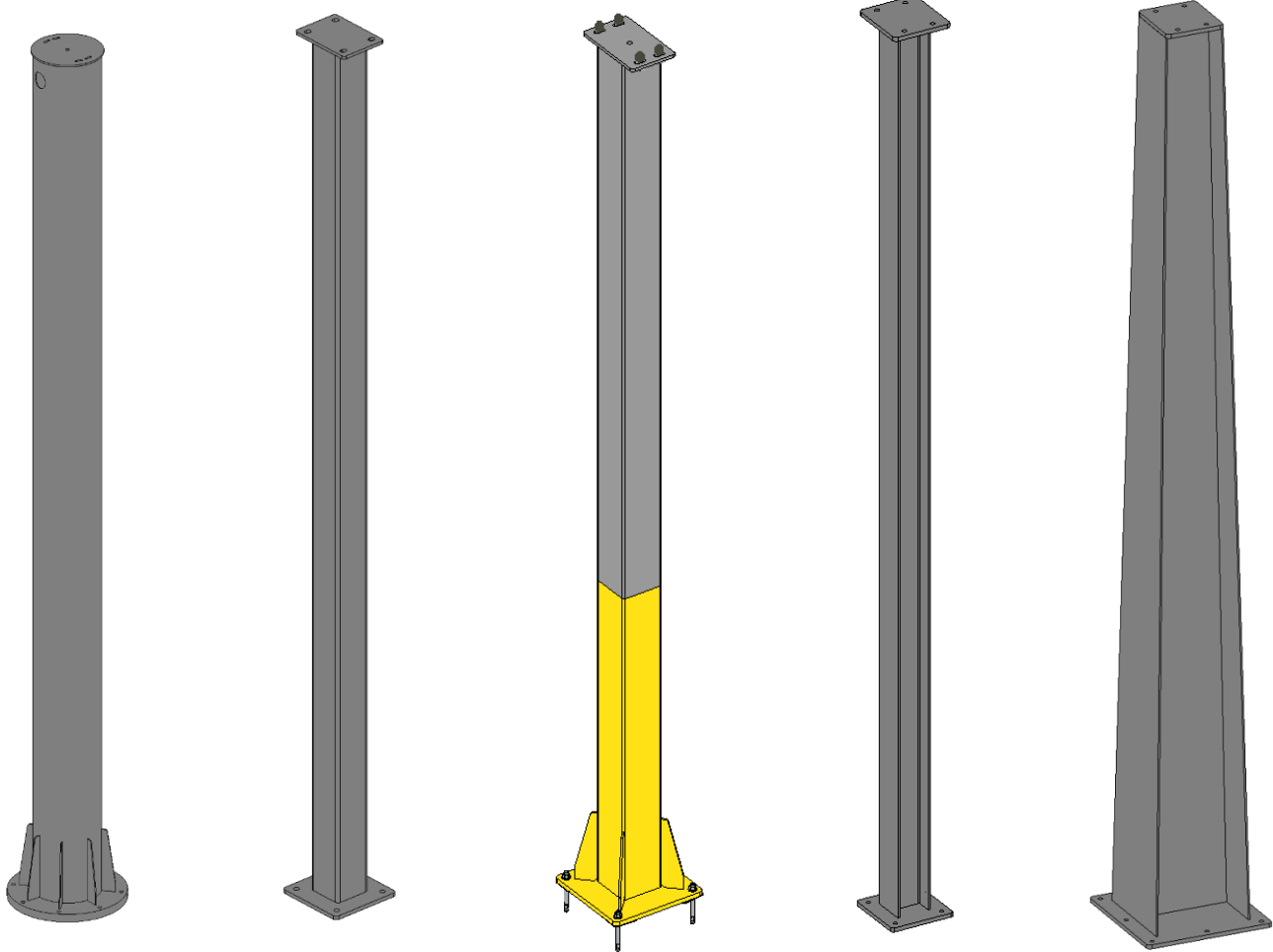
Mezzanine

Fall Protection

Fall Protection

Misc.

Misc.



Product specifications and dimensions are approximate and for informational purposes only. Variations may occur due to design or manufacturing adjustments. For exact measurements, please confirm with our customer service before ordering. PWI reserves the right to modify specifications without notice.

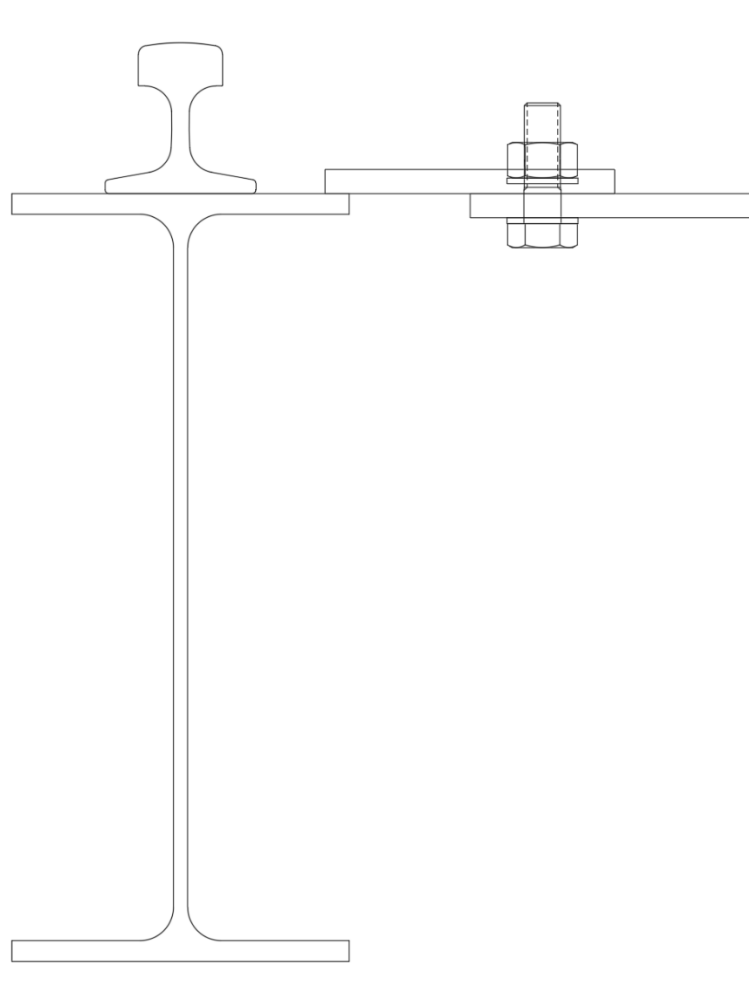


Braced Column Tie Back Plates



Product Description

- Tie backs are installed to attach the top flange of runways to the PEMB (Pre Engineered Metal Building) column
- Tie backs are used when building structure has sufficient strength to withstand crane forces. This scenario would allow using an unbraced W beam or Tube column.



Cranes

Cranes

Mezzanine

Mezzanine

Fall Protection

Fall Protection

Misc.

Misc.

Product specifications and dimensions are approximate and for informational purposes only. Variations may occur due to design or manufacturing adjustments. For exact measurements, please confirm with our customer service before ordering. PWI reserves the right to modify specifications without notice.

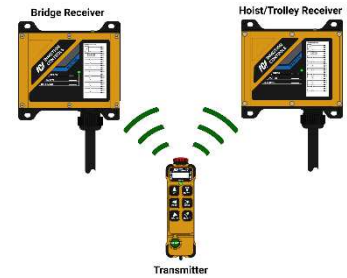


Motorized Under Running Single Girder Bridge Crane



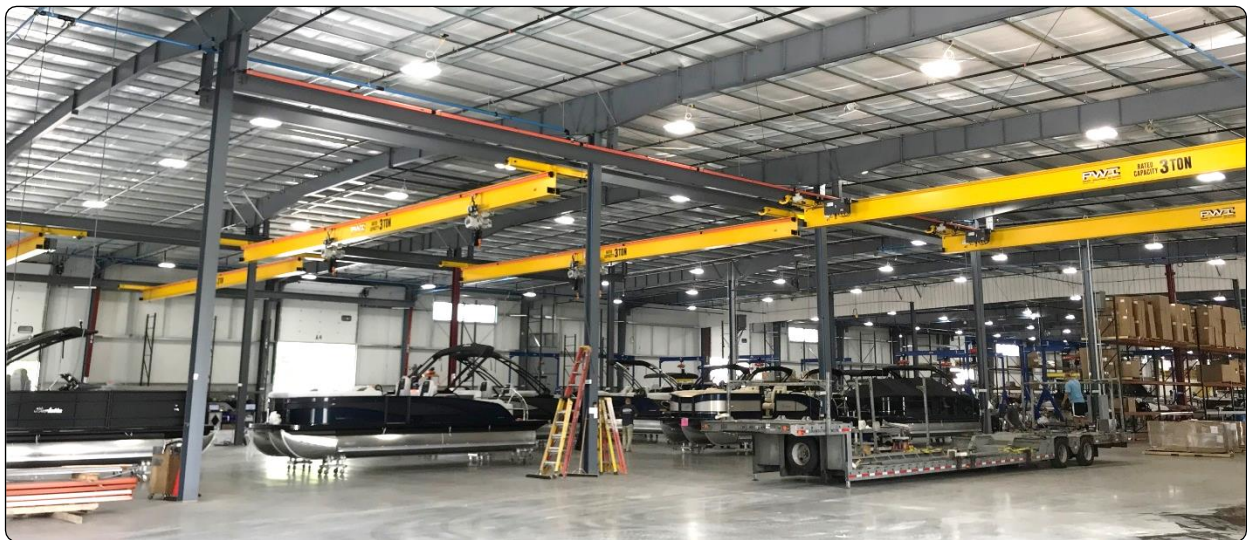
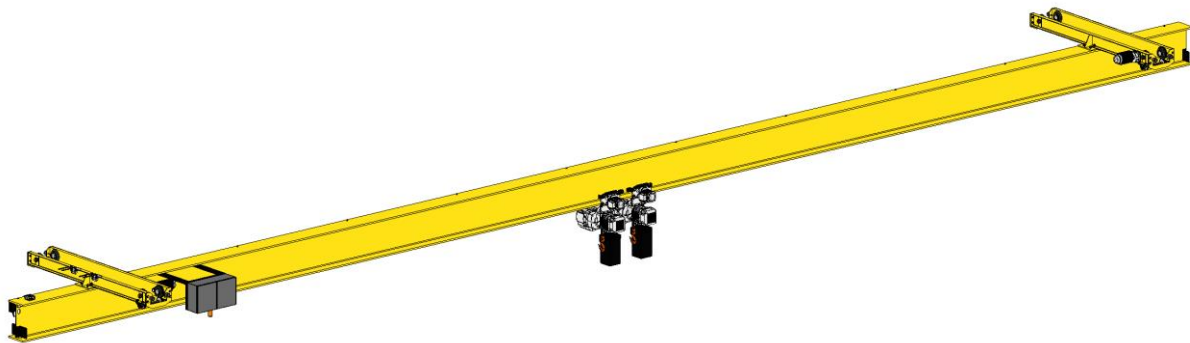
Product Description

- Bridge crane rolls on wide flanged beam bottom flanges
- Typically used for standard duty applications



Product Features

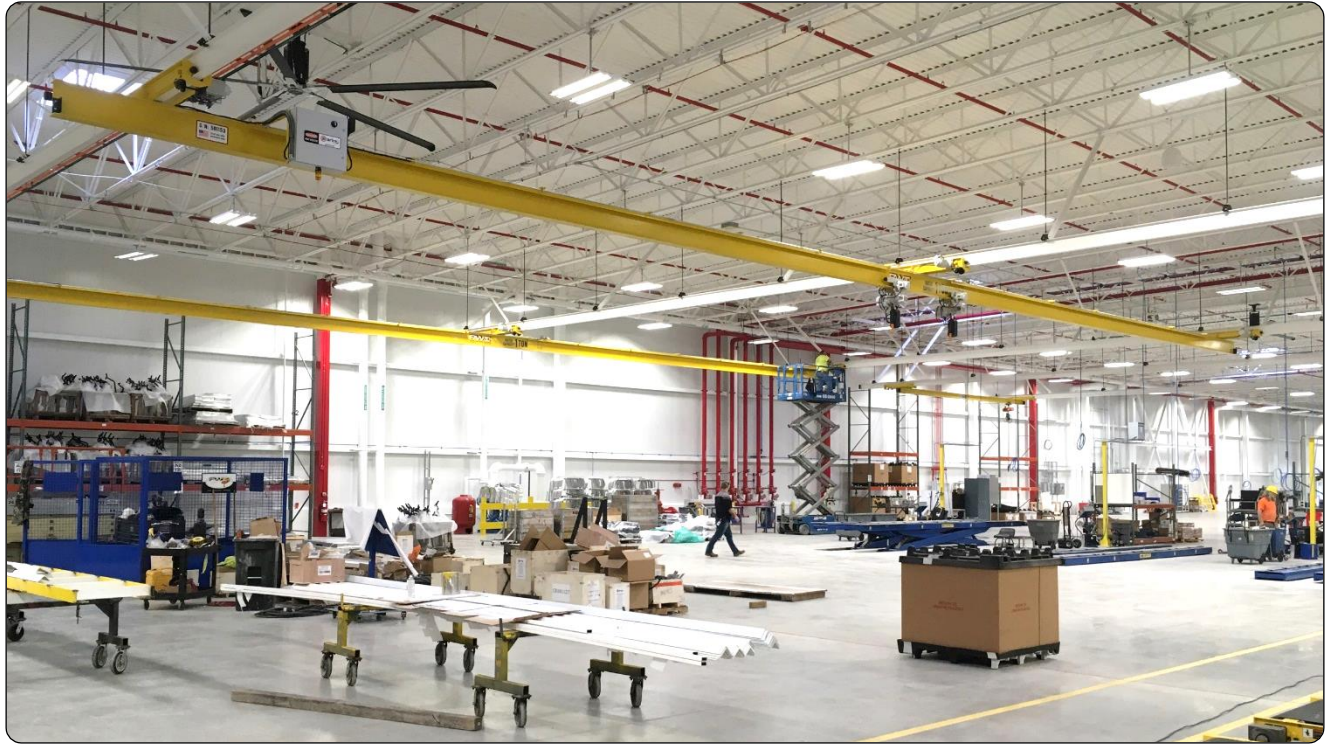
- Capacity: 1 Ton, 2 Ton, 3 Ton, 5 Ton, 6 Ton, 7.5 Ton, 8 Ton, 10 Ton
- Span: 10'-70'
- Starke SCU end trucks
- Monorail wire rope hoist or chain hoists
- INMOTION Controls
- End truck wheels include ball bearings



Product specifications and dimensions are approximate and for informational purposes only. Variations may occur due to design or manufacturing adjustments. For exact measurements, please confirm with our customer service before ordering. PWI reserves the right to modify specifications without notice.



Motorized Under Running Single Girder Bridge Crane



Cranes

Cranes

Mezzanine

Mezzanine

Fall Protection

Fall Protection

Misc.

Misc.

Product specifications and dimensions are approximate and for informational purposes only. Variations may occur due to design or manufacturing adjustments. For exact measurements, please confirm with our customer service before ordering. PWI reserves the right to modify specifications without notice.

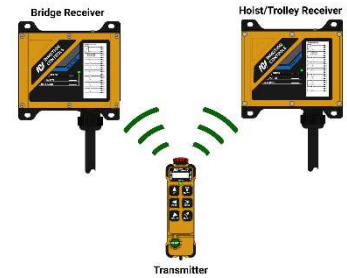


Motorized Under Running Low Headroom Bridge Crane



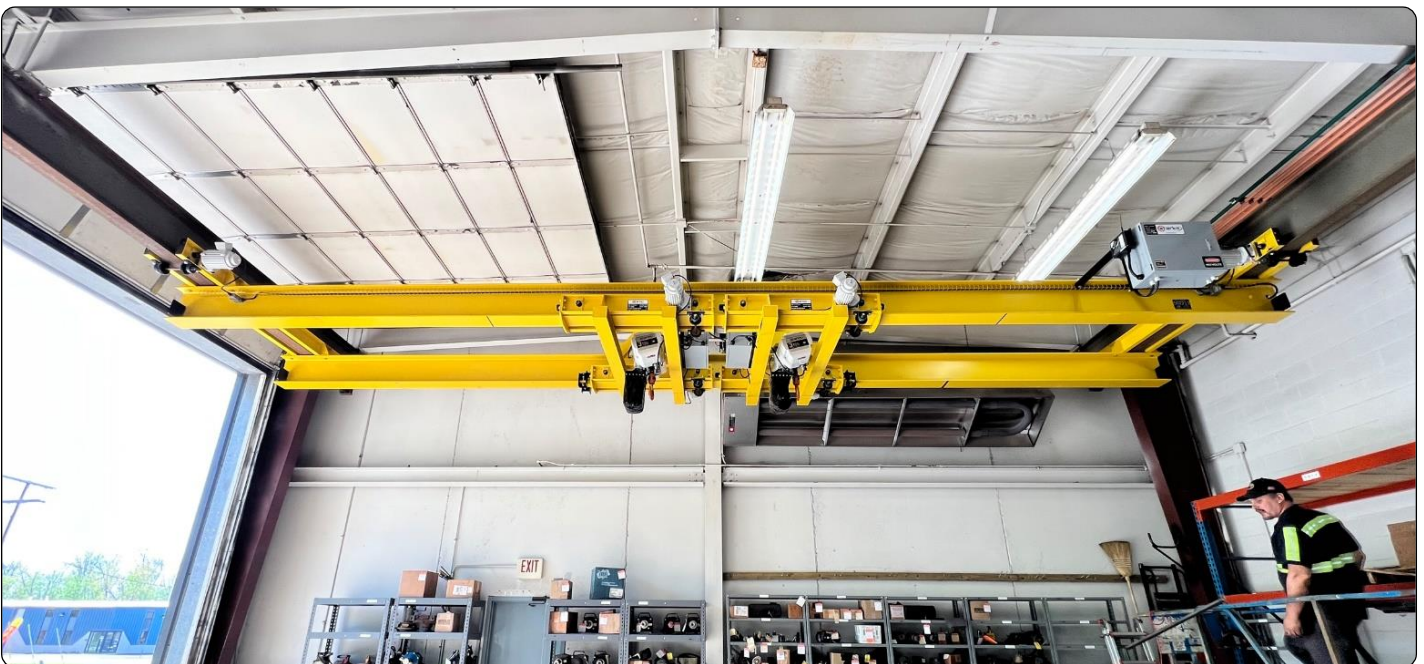
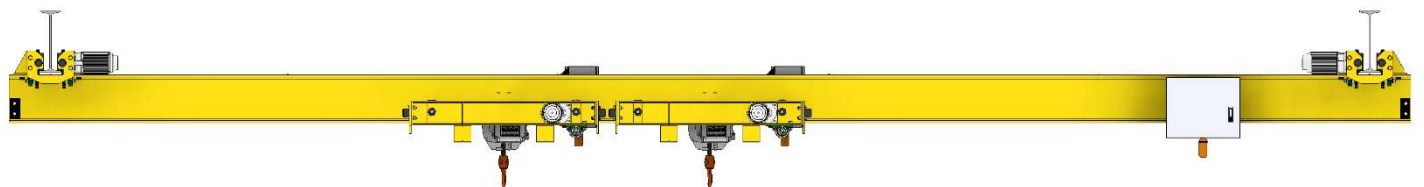
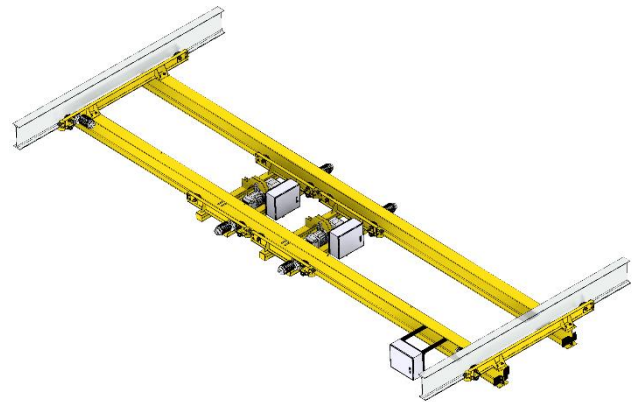
Product Description

- Bridge crane rolls on wide flanged beam bottom flanges
- Double Girder design to maximize hoist hook height.



Product Features

- Capacity: 1 Ton, 2 Ton, 3 Ton, 5 Ton, 6 Ton, 7.5 Ton, 8 Ton, 10 Ton
- Span: 10'-70'
- Starke SCU end trucks
- Chain Hoist
- INMOTION Controls
- End truck wheels include ball bearings



Product specifications and dimensions are approximate and for informational purposes only. Variations may occur due to design or manufacturing adjustments. For exact measurements, please confirm with our customer service before ordering. PWI reserves the right to modify specifications without notice.



Monorail Loop

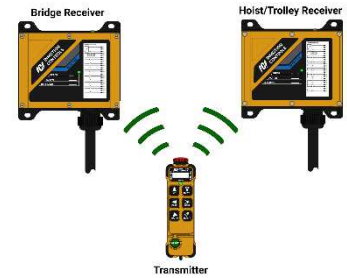


Product Description

- Typically used for standard duty applications

Product Features

- Capacity: 1 Ton, 2 Ton, 3 Ton, 5 Ton, 6 Ton, 7.5 Ton, 8 Ton, 10 Ton
- Starke SCU end trucks
- Monorail wire rope hoist or chain hoists
- INMOTION Controls



Cranes

Cranes

Mezzanine

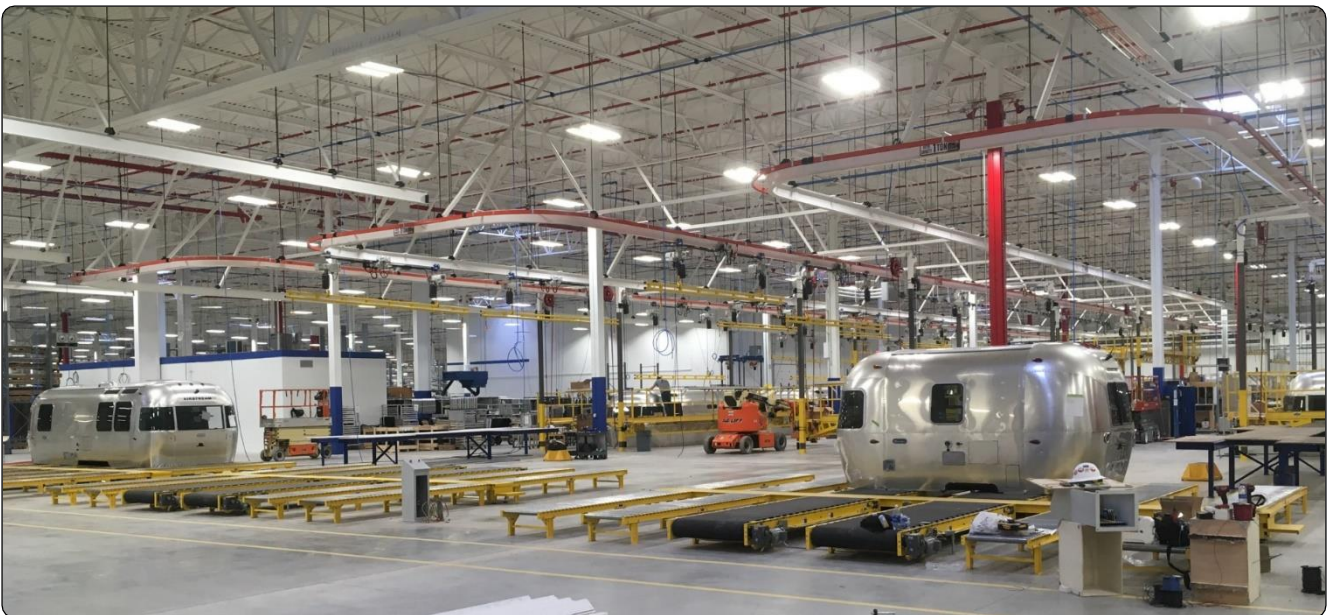
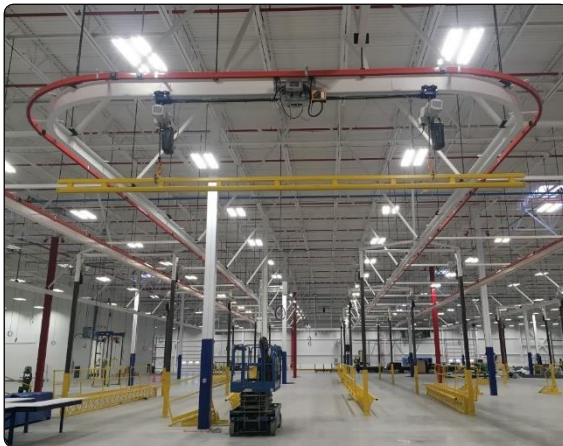
Mezzanine

Fall Protection

Fall Protection

Misc.

Misc.



Product specifications and dimensions are approximate and for informational purposes only. Variations may occur due to design or manufacturing adjustments. For exact measurements, please confirm with our customer service before ordering. PWI reserves the right to modify specifications without notice.



Telescoping Motorized Single Girder Bridge Crane

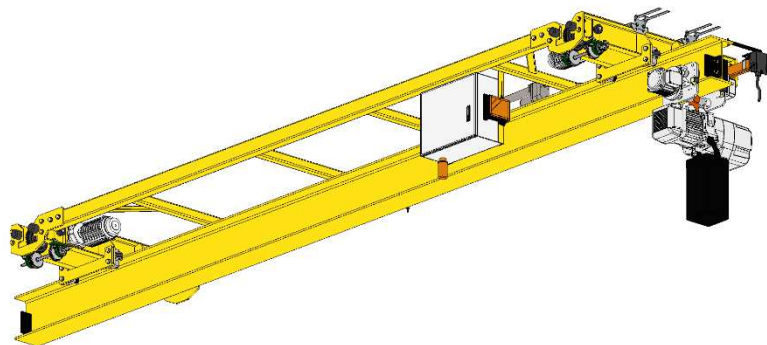
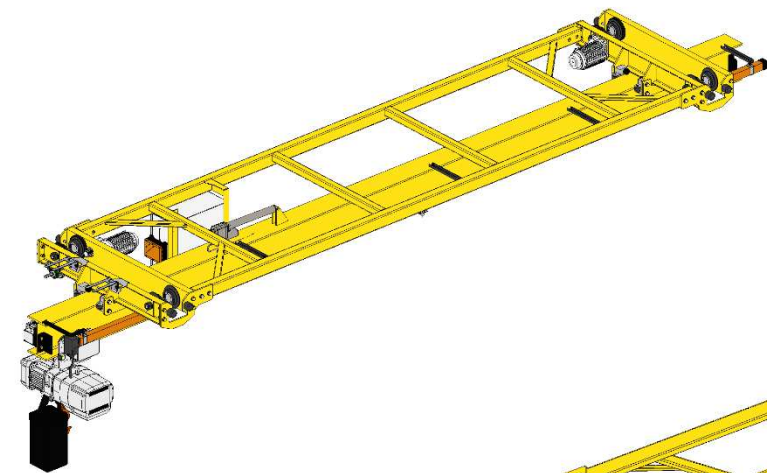
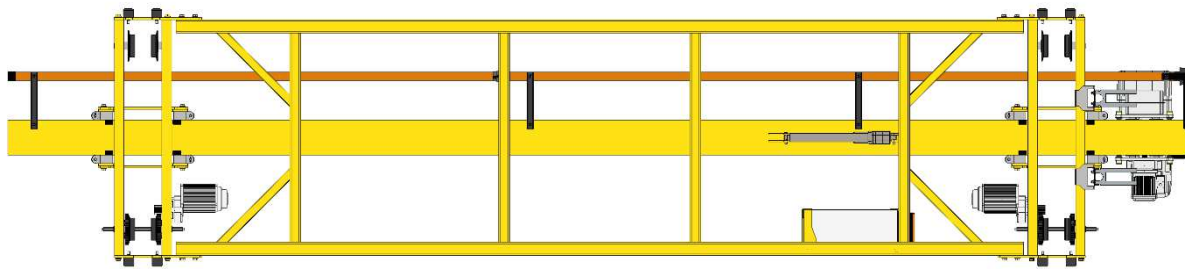


Product Description

- Roll on the bottom flange of W-Beam runway
- Extends for additional hoist travel

Product Features

- Capacity: 1 T, 2 T, 3 T, 5 T, 6 T, 7.5 T, 8 T, 10 T
- Span: 10'-60'
- Starke SCU end trucks
- INMOTION Controls
- Optional Pneumatic or Electric Telescoping
- Sub Frame to connect end trucks
- End truck to girder rollers allow girder to telescope.
- Low Headroom design does NOT require to girders
- Quiet/Smooth operation



Cranes

Mezzanine

Fall Protection

Misc.

Cranes

Mezzanine

Fall Protection

Misc.

Product specifications and dimensions are approximate and for informational purposes only. Variations may occur due to design or manufacturing adjustments. For exact measurements, please confirm with our customer service before ordering. PWI reserves the right to modify specifications without notice.



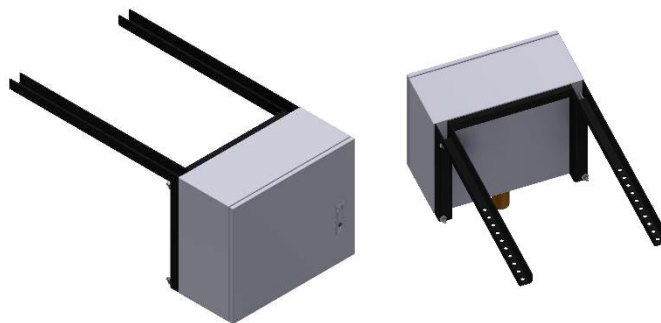
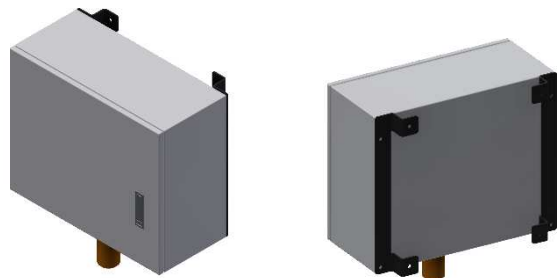
Bridge Control Panel Mounting Options



Side Mounted

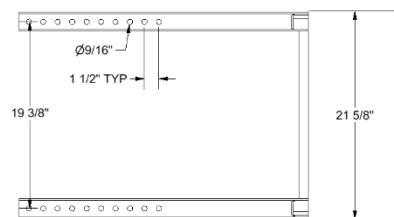
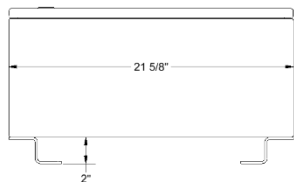
Top Mounted

Cranes



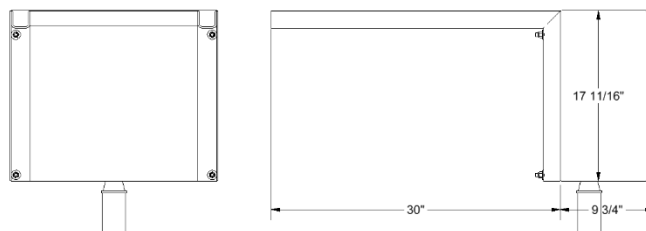
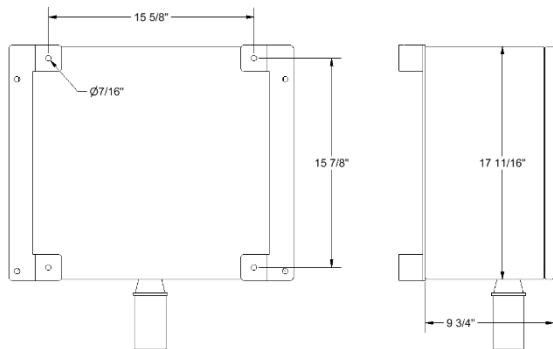
Cranes

Mezzanine



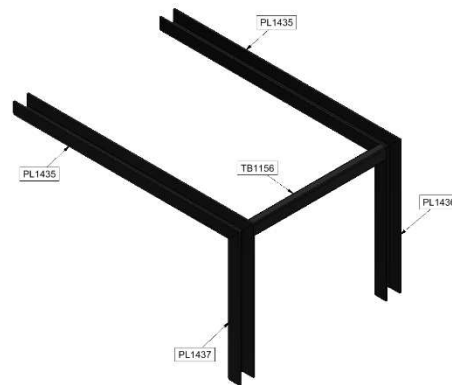
Mezzanine

Fall Protection



Fall Protection

Misc.



Misc.

Product specifications and dimensions are approximate and for informational purposes only. Variations may occur due to design or manufacturing adjustments. For exact measurements, please confirm with our customer service before ordering. PWI reserves the right to modify specifications without notice.



Control Options



Cranes

Cranes

Controls Type

Single or 2 Speed

Full Variable Control

Mezzanine

Mezzanine



Wireless



Fall Protection

Fall Protection



Pendant



Misc.

Misc.

Product specifications and dimensions are approximate and for informational purposes only. Variations may occur due to design or manufacturing adjustments. For exact measurements, please confirm with our customer service before ordering. PWI reserves the right to modify specifications without notice.



Control Options



Cranes

Cranes

Mezzanine

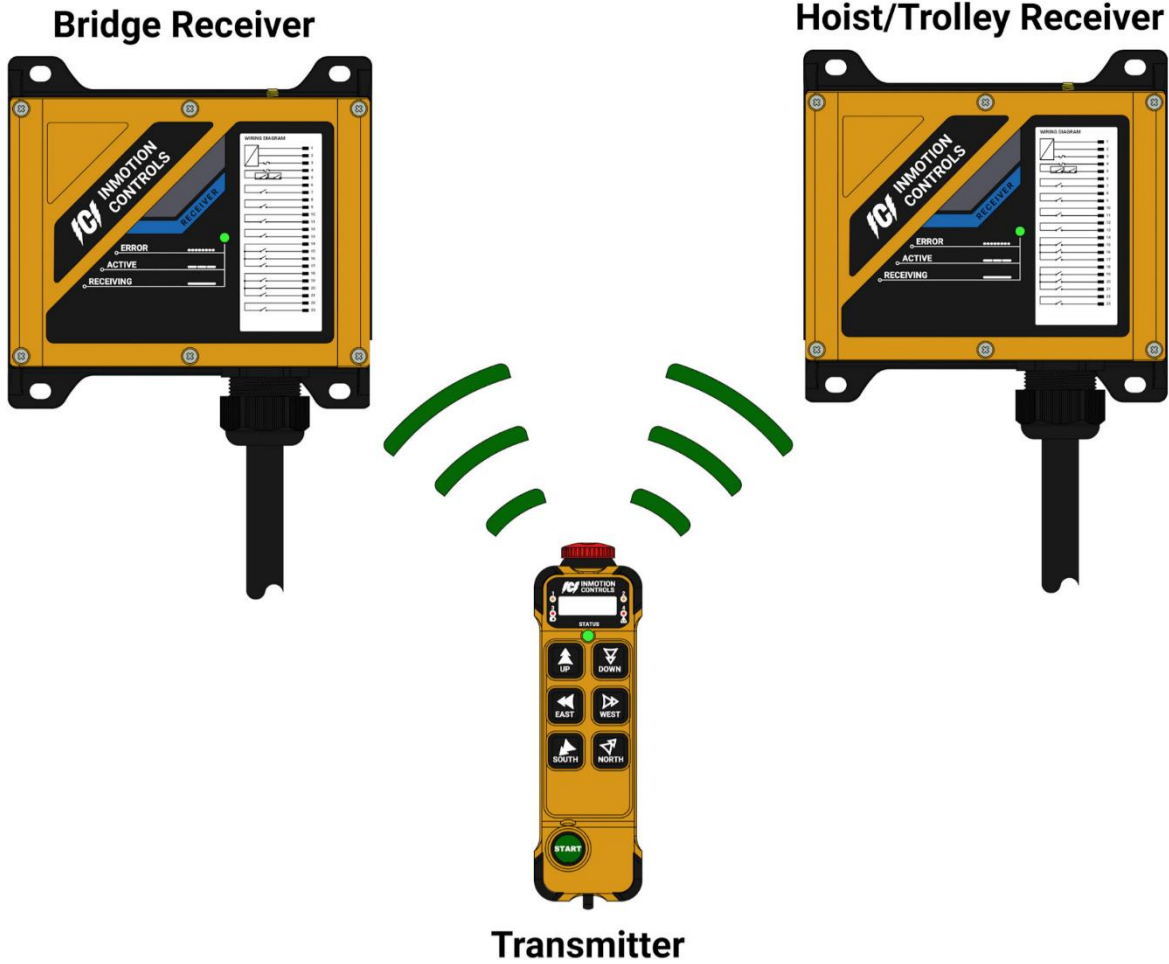
Mezzanine

Fall Protection

Fall Protection

Misc.

Misc.



Product specifications and dimensions are approximate and for informational purposes only. Variations may occur due to design or manufacturing adjustments. For exact measurements, please confirm with our customer service before ordering. PWI reserves the right to modify specifications without notice.



Control Options



K PLUS SERIES K202 R FULL VARIABLE RADIO REMOTE CONTROL

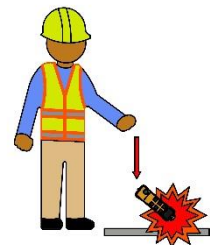


THE K202 FULL VARIABLE SYSTEM IS A 1 MOTION, FULL VARIABLE CONTROL SOLUTION FOR A SINGLE FUNCTION CONTROL OR MONORAIL HOIST APPLICATIONS.

- COMPLIES WITH UL 61010-1 AND CSA C22.2
- “QI” WIRELESS CHARGING (TRANSMITTER)
- G-FORCE SHOCK DETECTION WITH DISABLE
- OPERATING VOLTAGE 24 – 240 VAC / 24 – 160 VDC
- NIMH TRANSMITTER BATTERIES INCLUDED
- 900MHZ FCC, IC AND CE COMPLIANT

• IP 65, PA6 NYLON – 30% GLASS FILLED ENCLOSURE
EACH SYSTEM INCLUDES ONE RECEIVING UNIT, ONE TRANSMITTER WITH LEGEND SHEET, BATTERIES, QI CHARGING PAD, LANYARD, MOUNTING HARDWARE AND INSTALLATION INSTRUCTIONS.

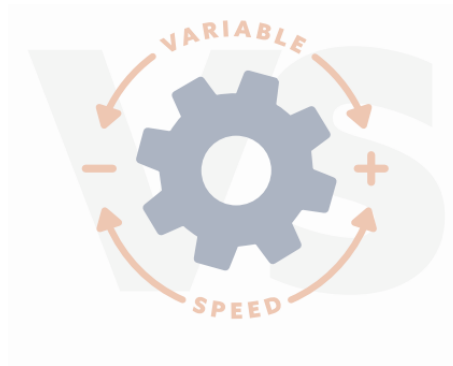
ZERO-G SAFETY IS ONLY AVAILABLE WITH THE K PLUS SERIES. THE ZERO-G SAFETY FUNCTION CAN PREVENT THE UNCONTROLLED OUTPUT OF COMMANDS. THE G SENSOR CAN DETECT IF THE TRANSMITTER IS DROPPED OR THROWN. THESE FEATURES CAN DEACTIVATE THE COMPLETE RADIO SYSTEM OR ONLY THE RELEVANT FUNCTIONS.



Control Options



K PLUS SERIES K202 R FULL VARIABLE RADIO REMOTE CONTROL



THE K202 FULL VARIABLE SYSTEM IS A 1 MOTION, FULL VARIABLE CONTROL SOLUTION FOR A SINGLE FUNCTION CONTROL OR MONORAIL HOIST APPLICATIONS.

- COMPLIES WITH UL 61010-1 AND CSA C22.2
- “QI” WIRELESS CHARGING (TRANSMITTER)
- G-FORCE SHOCK DETECTION WITH DISABLE
- OPERATING VOLTAGE 24 – 240 VAC / 24 – 160 VDC
- NIMH TRANSMITTER BATTERIES INCLUDED
- 900MHZ FCC, IC AND CE COMPLIANT

• IP 65, PA6 NYLON – 30% GLASS FILLED ENCLOSURE

EACH SYSTEM INCLUDES TWO RECEIVING UNITS, ONE TRANSMITTER WITH LEGEND SHEET, BATTERIES, QI CHARGING PAD, LANYARD, MOUNTING HARDWARE AND INSTALLATION INSTRUCTIONS.

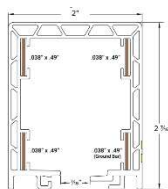
ZERO-G SAFETY IS ONLY AVAILABLE WITH THE K PLUS SERIES. THE ZERO-G SAFETY FUNCTION CAN PREVENT THE UNCONTROLLED OUTPUT OF COMMANDS. THE G SENSOR CAN DETECT IF THE TRANSMITTER IS DROPPED OR THROWN. THESE FEATURES CAN DEACTIVATE THE COMPLETE RADIO SYSTEM OR ONLY THE RELEVANT FUNCTIONS.



Power Supply Options



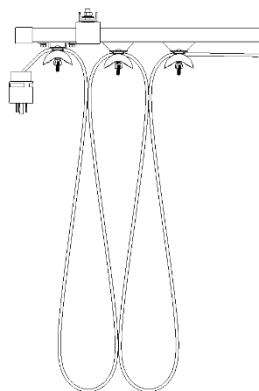
Starke
Elektrotrack



Cranes

Cranes

Starke
Festoon



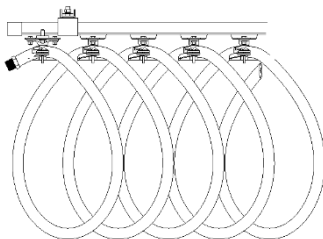
Mezzanine

Mezzanine

Fall Protection

Fall Protection

Starke
Air Festoon



Misc.

Misc.

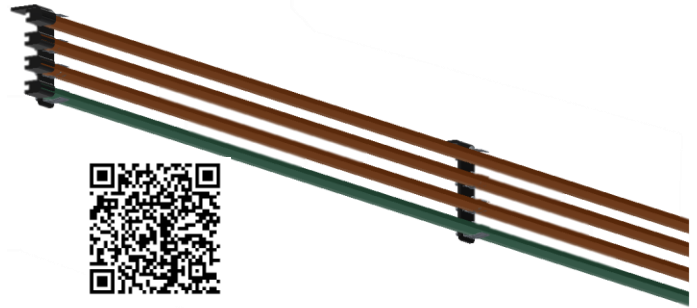
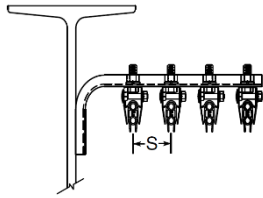
Product specifications and dimensions are approximate and for informational purposes only. Variations may occur due to design or manufacturing adjustments. For exact measurements, please confirm with our customer service before ordering. PWI reserves the right to modify specifications without notice.



Power Supply Options



Duct-O-Bar



Cranes

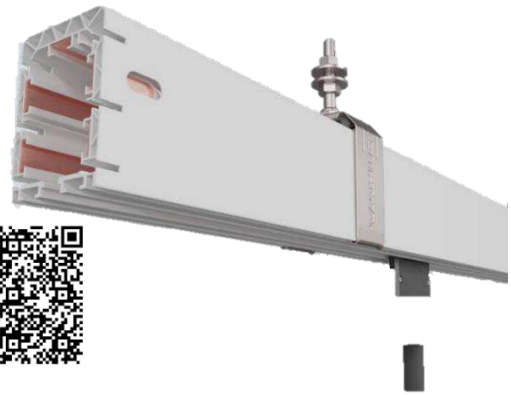
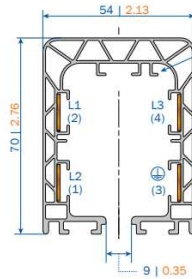
Cranes

Mezzanine

Mezzanine



Enclosed Conductors



Fall Protection

Fall Protection

Misc.

Misc.

Product specifications and dimensions are approximate and for informational purposes only. Variations may occur due to design or manufacturing adjustments. For exact measurements, please confirm with our customer service before ordering. PWI reserves the right to modify specifications without notice.



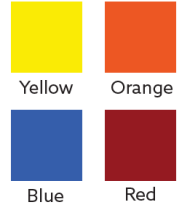
Freestanding Bridge Crane



Product Description

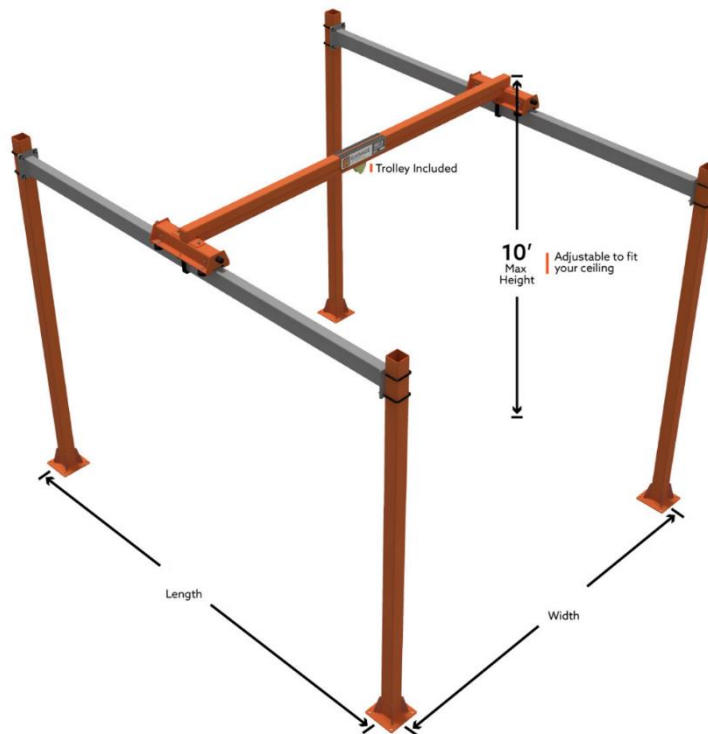
- Capacity: 1,000 lbs
- Height: 10'
- Configurations (width x length):
 - 8'x12'
 - 8'x16'
 - 10'x12'
 - 10'x16'
 - 10'x20'
 - 12'x16'
 - 12'x20'
 - 12'x24'
 - 16'x20'
 - 16'x24'

Choose Your Color:



Product Features

- Column can be trimmed to reduce overall height



Product specifications and dimensions are approximate and for informational purposes only. Variations may occur due to design or manufacturing adjustments. For exact measurements, please confirm with our customer service before ordering. PWI reserves the right to modify specifications without notice.



Top Running Freestanding Hyperlite Bridge Crane

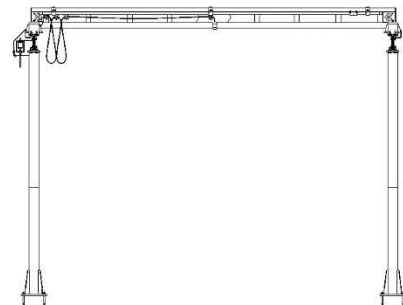
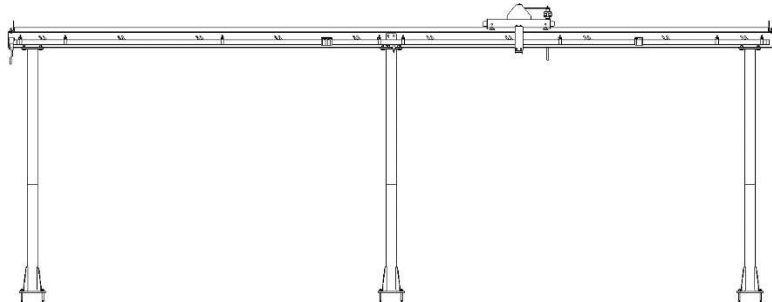
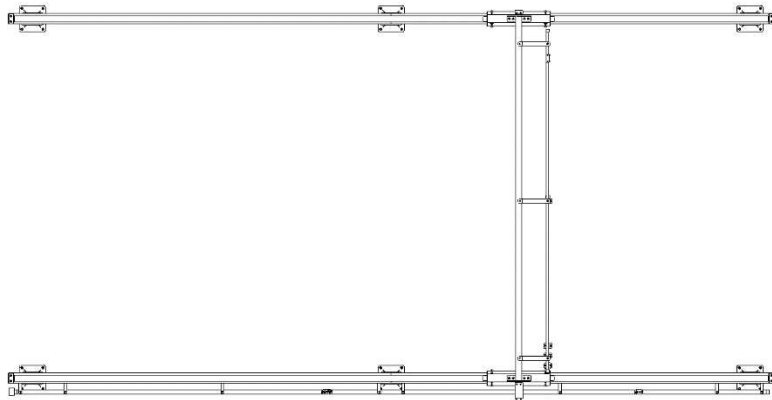
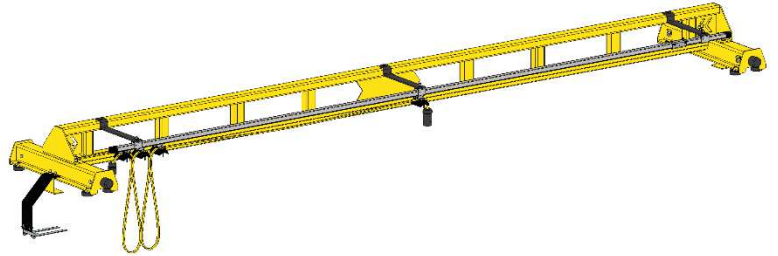


Product Description

- Ultra-lightweight and efficient operation
- Rolls on tube track

Product Features

- Capacity: 250 lbs, 500 lbs, 1,000 lbs, 1 Ton, 2 Ton
- Span: 5'-30'
- Top running Hyperlite end trucks
- Polymer side guide rollers
- Electric chain or chain Hoist



LIGHTWEIGHT

**HYPHER
LITE** SERIES



Cranes

Cranes

Mezzanine

Mezzanine

Fall Protection

Fall Protection

Misc.

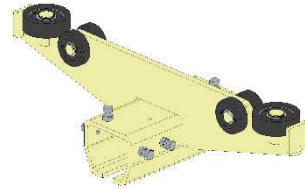
Misc.

Hyper Lite Ceiling Mounted Bridge Crane



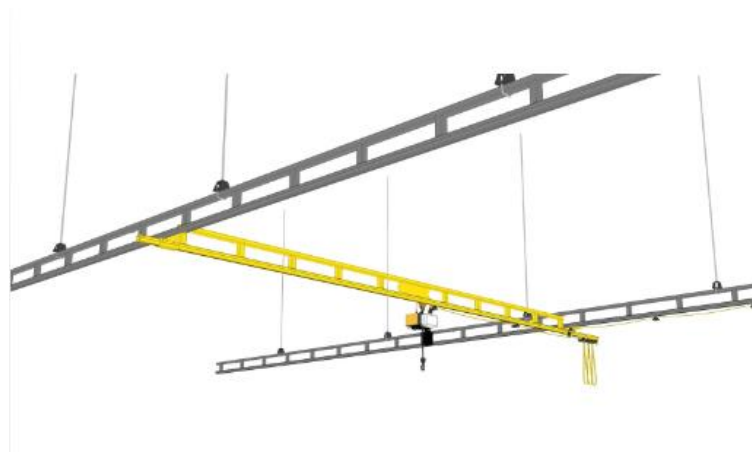
Product Description

- Bridge attaches to ceiling mounted enclosed track truss
- Used for standard duty applications



Product Features

- Capacity: 500 lbs, 1,000 lbs, 1 Ton, 2 Ton, 3 Ton
- Span: 5'-35'
- ETK End Trucks



Product specifications and dimensions are approximate and for informational purposes only. Variations may occur due to design or manufacturing adjustments. For exact measurements, please confirm with our customer service before ordering. PWI reserves the right to modify specifications without notice.



Cranes

Mezzanine

Fall Protection

Misc.

Cranes

Mezzanine

Fall Protection

Misc.

Hyper Lite Ceiling Mounted Bridge Crane



Cranes

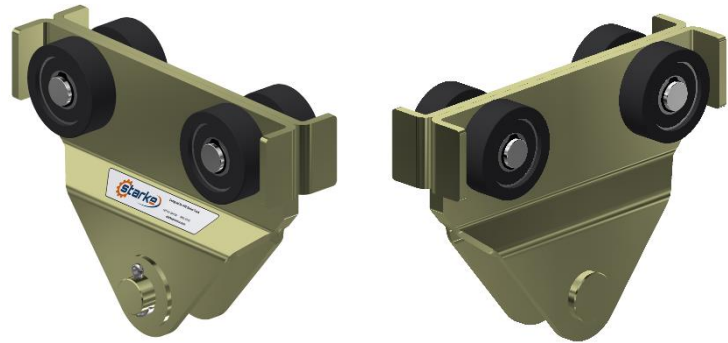
- S300-EMT-1000
 - 300 Series Enclosed Track
 - 1,000 lb. capacity



Cranes

Mezzanine

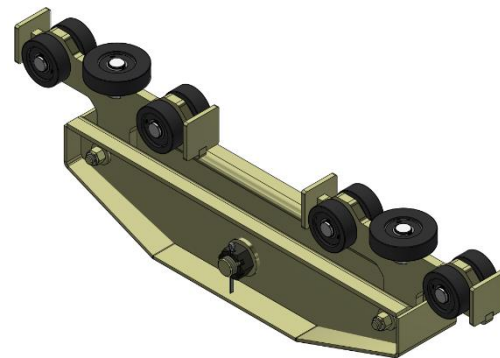
- S400-EMT-2000
 - 400 Series Enclosed Track
 - 2,000 lb. capacity



Mezzanine

Fall Protection

- S400-EMT-4000
 - 400 Series Enclosed Track
 - 4,000 lb. capacity



Fall Protection

Misc.

Misc.



Product specifications and dimensions are approximate and for informational purposes only. Variations may occur due to design or manufacturing adjustments. For exact measurements, please confirm with our customer service before ordering. PWI reserves the right to modify specifications without notice.

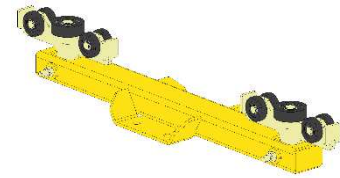


Hyper Lite Ceiling Mounted Bridge Crane



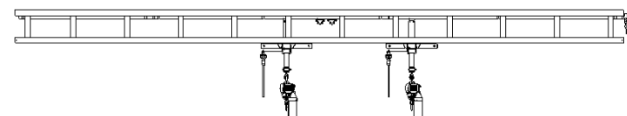
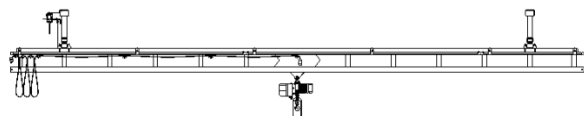
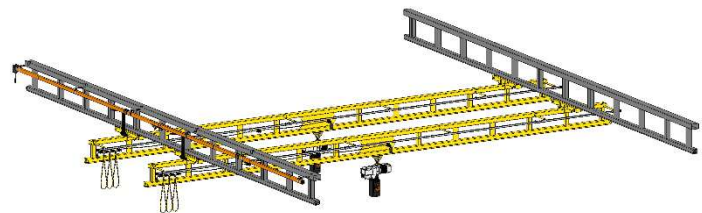
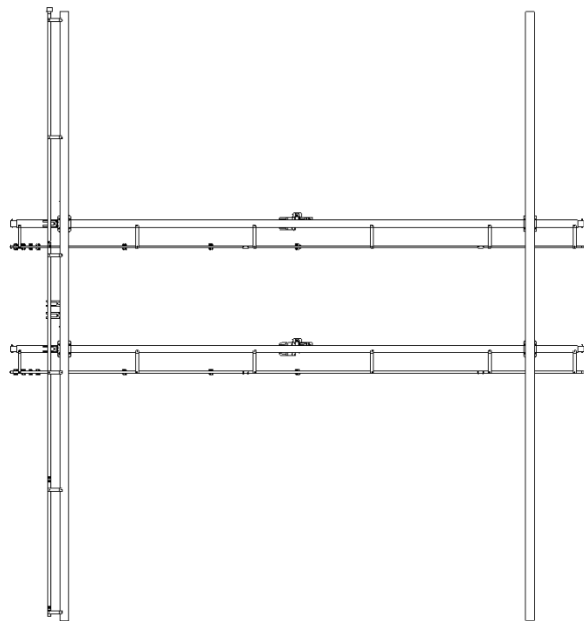
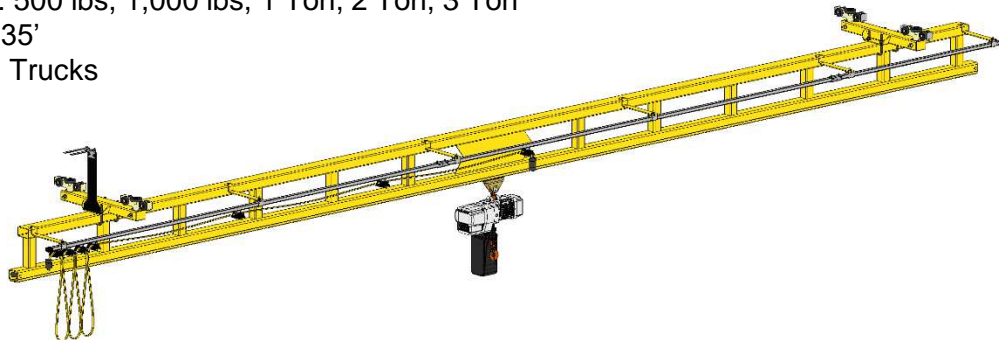
Product Description

- Bridge attaches to ceiling mounted enclosed track truss
- Used for heavy duty applications



Product Features

- Capacity: 500 lbs, 1,000 lbs, 1 Ton, 2 Ton, 3 Ton
- Span: 5'-35'
- XET End Trucks



Product specifications and dimensions are approximate and for informational purposes only. Variations may occur due to design or manufacturing adjustments. For exact measurements, please confirm with our customer service before ordering. PWI reserves the right to modify specifications without notice.



Header Mounted Manual Bridge Crane

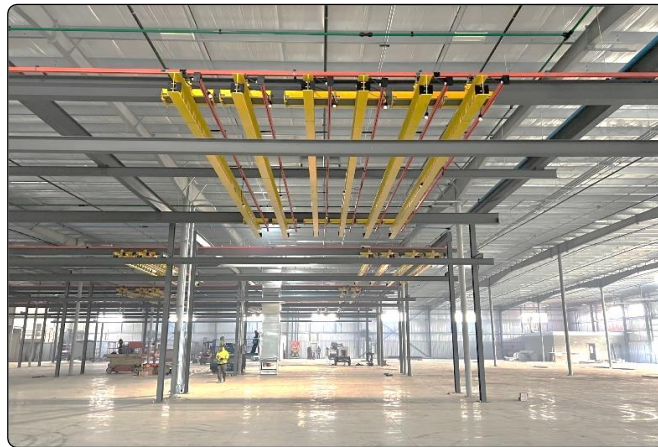
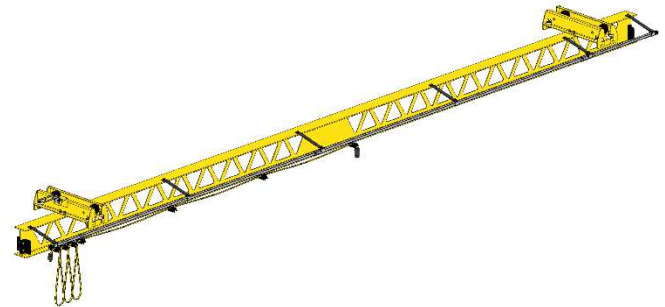


Product Description

- Roll on the bottom flange of W-Beam runway
- Ultralite bridge girder includes cut outs to reduce weight for easy maneuverability

Product Features

- Capacity: 500 lbs, 1,000 lbs 1 Ton, 2 Ton, 3 Ton
- Span: 5'-40'
- Max cantilever: 48"



Product specifications and dimensions are approximate and for informational purposes only. Variations may occur due to design or manufacturing adjustments. For exact measurements, please confirm with our customer service before ordering. PWI reserves the right to modify specifications without notice.



Top Runner Freestanding Ultralite Bridge Crane

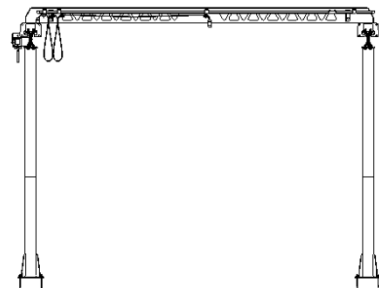
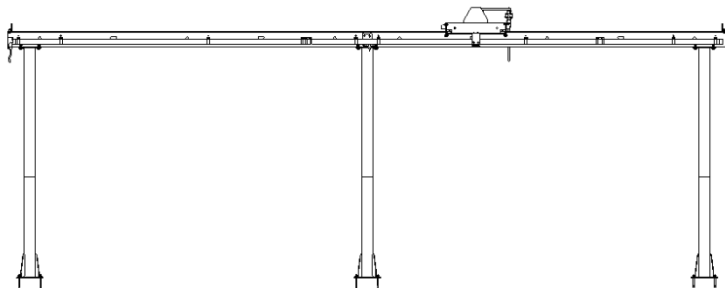
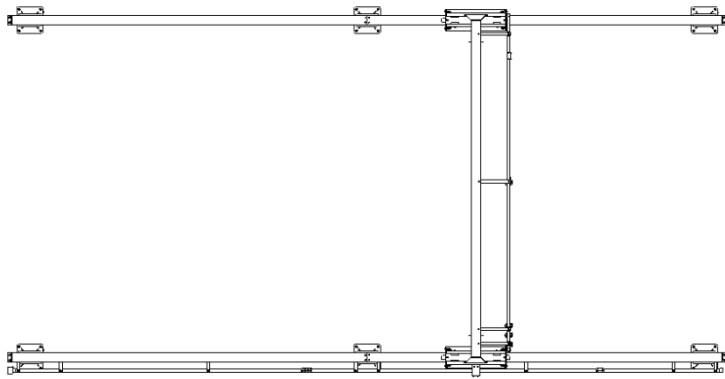
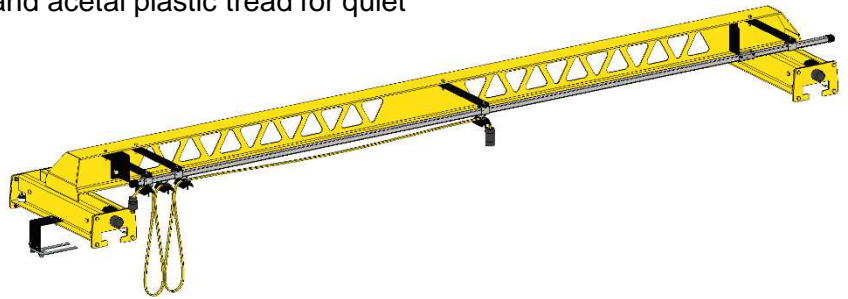


Product Description

- Roll on the top flange of W-Beam runway
- Ultralite bridge girder includes cut outs to reduce weight for easy maneuverability

Product Features

- Capacity: 500 lbs, 1,000 lbs, 1 T, 2 T, 3 T
- Span: 5'-40'
- End truck wheels include ball bearings and acetal plastic tread for quiet smooth operation.
- Steel side guide rollers



ULTRALITE
SERIES

Product specifications and dimensions are approximate and for informational purposes only. Variations may occur due to design or manufacturing adjustments. For exact measurements, please confirm with our customer service before ordering. PWI reserves the right to modify specifications without notice.



Cranes

Cranes

Mezzanine

Mezzanine

Fall Protection

Fall Protection

Misc.

Misc.

Top Runner Freestanding Ultralite Bridge Crane



Cranes

Cranes

Mezzanine

Mezzanine

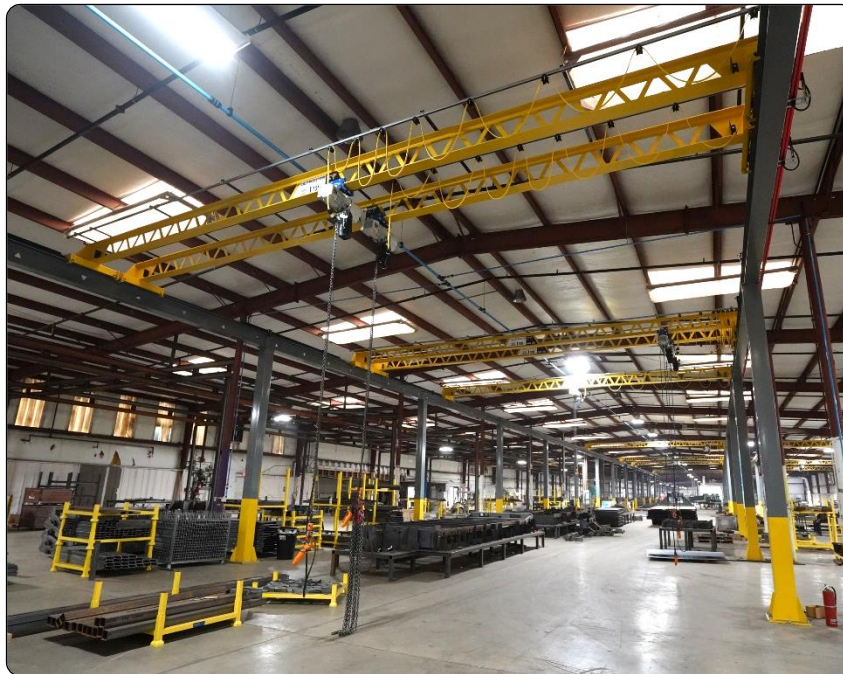


Fall Protection

Fall Protection

Misc.

Misc.



ULTRALITE
SERIES

Product specifications and dimensions are approximate and for informational purposes only. Variations may occur due to design or manufacturing adjustments. For exact measurements, please confirm with our customer service before ordering. PWI reserves the right to modify specifications without notice.



Automated Production Crane

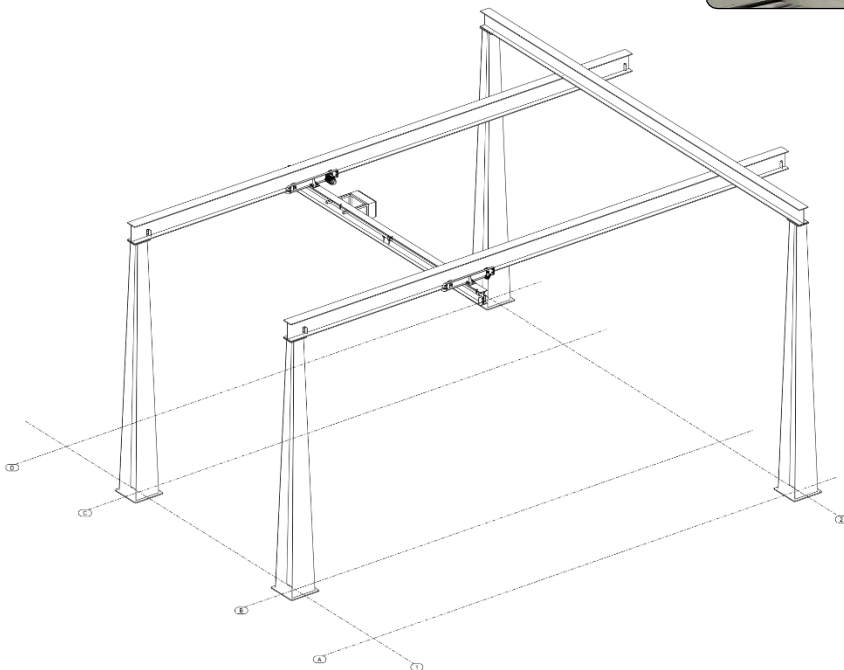


Product Description

- Freestanding crane system with automated lifting capabilities

Product Features

- Capacity: 1 Ton, 2 Ton, 3 Ton, 5 Ton, 6 Ton, 7.5 Ton, 8 Ton, 10 Ton
- Span: 10'-70'
- Bridge travel automated stops: A/B/C/Home
- 480V/3 phase



Cranes

Mezzanine

Fall Protection

Misc.

Cranes

Mezzanine

Fall Protection

Misc.

Product specifications and dimensions are approximate and for informational purposes only. Variations may occur due to design or manufacturing adjustments. For exact measurements, please confirm with our customer service before ordering. PWI reserves the right to modify specifications without notice.



Bulk Bag Lifter System



Product Description

- Freestanding monorail system with motorized trolley

Product Features

- Capacity: 1 Ton, 2 Ton, 3 Ton, 5 Ton, 6 Ton, 7.5 Ton, 8 Ton, 10 Ton
- 480V/3 phase
- (4) Load Cells mounted at column base



Cranes

Cranes

Mezzanine

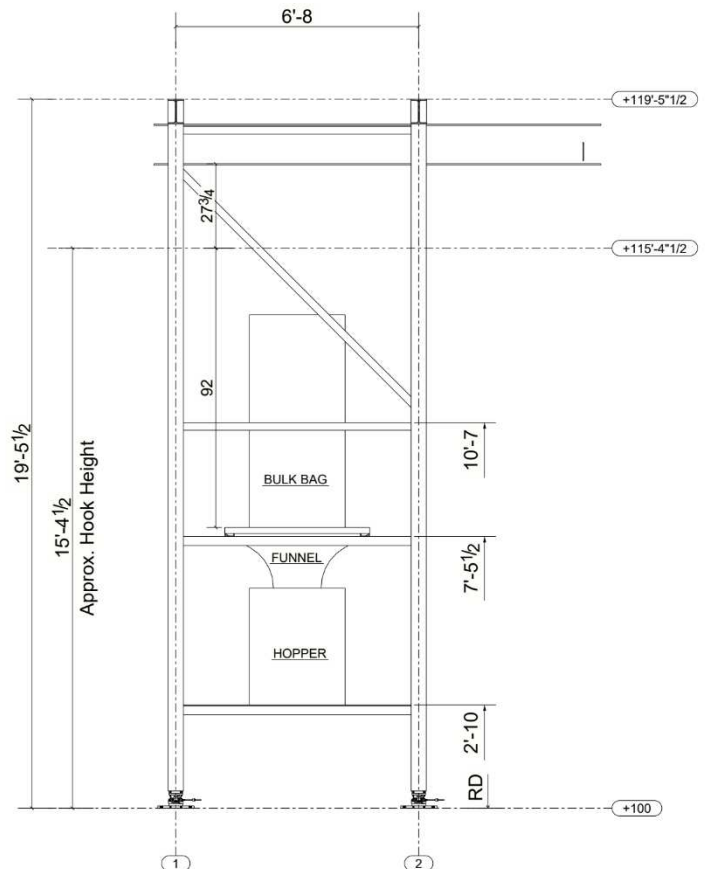
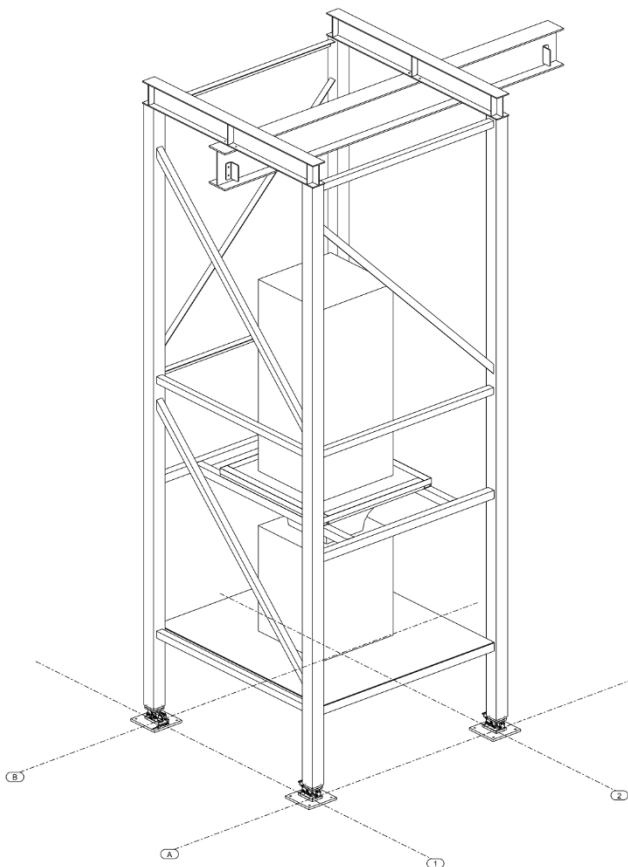
Mezzanine

Fall Protection

Fall Protection

Misc.

Misc.



Product specifications and dimensions are approximate and for informational purposes only. Variations may occur due to design or manufacturing adjustments. For exact measurements, please confirm with our customer service before ordering. PWI reserves the right to modify specifications without notice.



Bridge Crane Buffer



Product Description

- Limits travel between adjacent hoists or bridges to maximize bridge or runway capacity



Product Features

- Options:
 - Top Runner Bridges
 - Top Runner Runways
 - Underhung Bridges
 - Underhung Runways



Cranes

Cranes

Mezzanine

Mezzanine

Fall Protection

Fall Protection

Misc.

Misc.

Product specifications and dimensions are approximate and for informational purposes only. Variations may occur due to design or manufacturing adjustments. For exact measurements, please confirm with our customer service before ordering. PWI reserves the right to modify specifications without notice.



Manual Gantry Crane

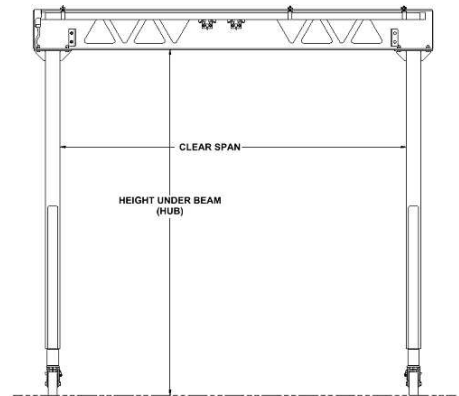


Product Description

- Gantry Crane rolls on casters to change location of work area
- Ultralite bridge girder includes cut outs to reduce weight for easy maneuverability

Product Features

- Capacity: 500 lbs, 1,000 lbs, 1 Ton, 2 Ton, 3 Ton, 5 Ton
- Clear Span: 10'-30'
- Height Under Beam: 8'-18'
- Caster Options:
 - Poly
 - Poly on Iron
 - Steel
- Includes floor stop to limit caster motion



Cranes

Cranes

Mezzanine

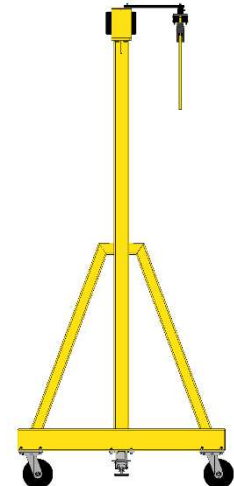
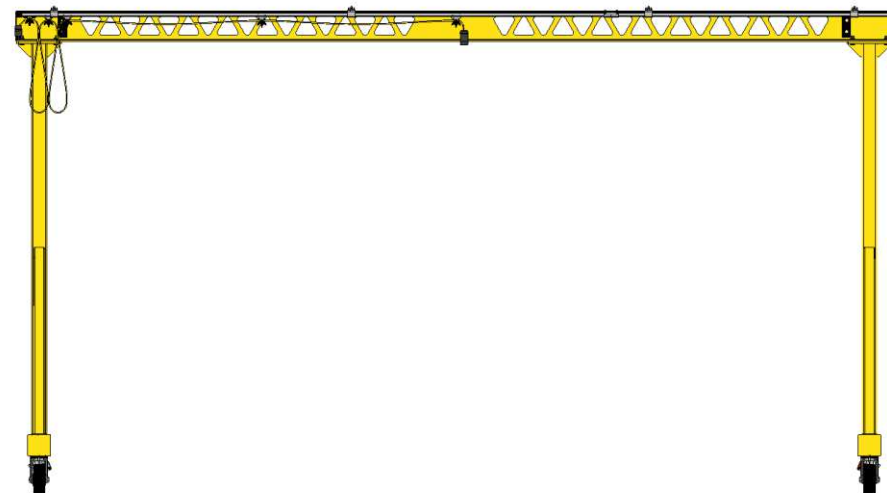
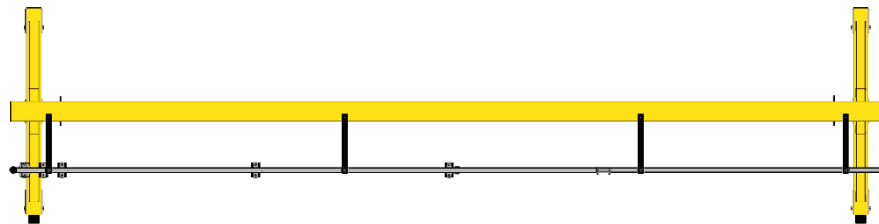
Mezzanine

Fall Protection

Fall Protection

Misc.

Misc.



ULTRALITE
SERIES

Product specifications and dimensions are approximate and for informational purposes only. Variations may occur due to design or manufacturing adjustments. For exact measurements, please confirm with our customer service before ordering. PWI reserves the right to modify specifications without notice.



Motorized Gantry Crane

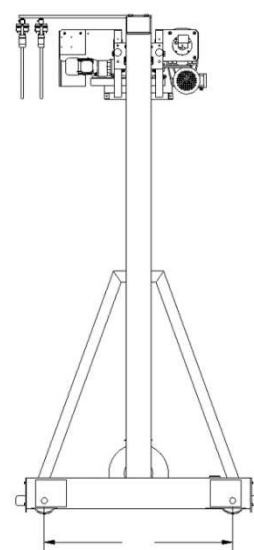
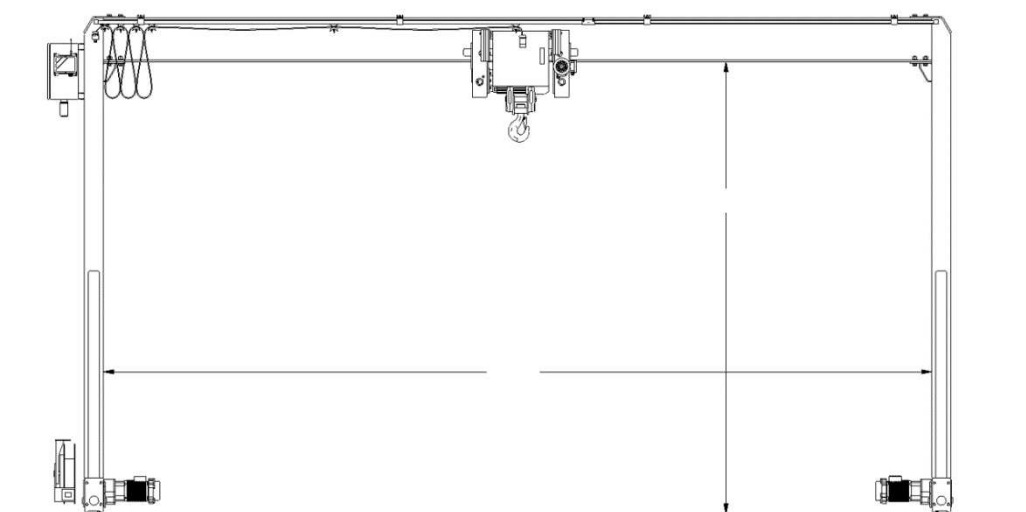
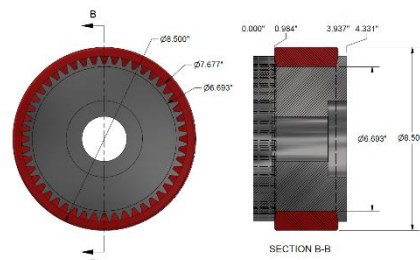
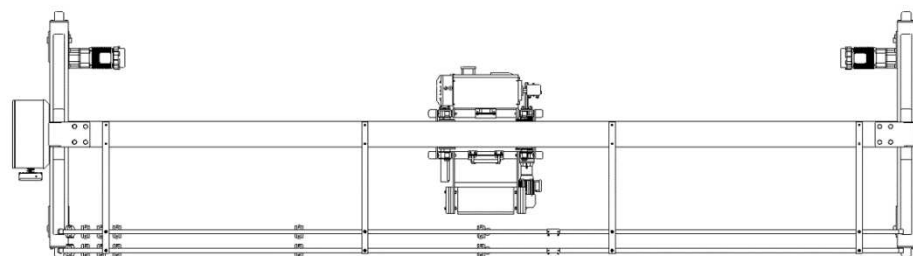


Product Description

- Gantry Crane rolls on floor track to change location of work area

Product Features

- Capacity: 500 lbs, 1,000 lbs, 1 Ton, 2 Ton, 3 Ton, 5 Ton
- Span: 5'-60'
- Height: 8'-18'
- Tube Columns
- Polyurethane Coating Bonded to Geared Wheels 95A Durometer
- Tracking: Press and hold the button below the E stop to reverse the direction of the drive motor on the opposite side allowing you to correct the tracking direction of the gantry crane.
- Includes cord reel



Product specifications and dimensions are approximate and for informational purposes only. Variations may occur due to design or manufacturing adjustments. For exact measurements, please confirm with our customer service before ordering. PWI reserves the right to modify specifications without notice.



Cranes

Mezzanine

Fall Protection

Misc.

Cranes

Mezzanine

Fall Protection

Misc.

Motorized Gantry Crane



Cranes

Cranes

Mezzanine

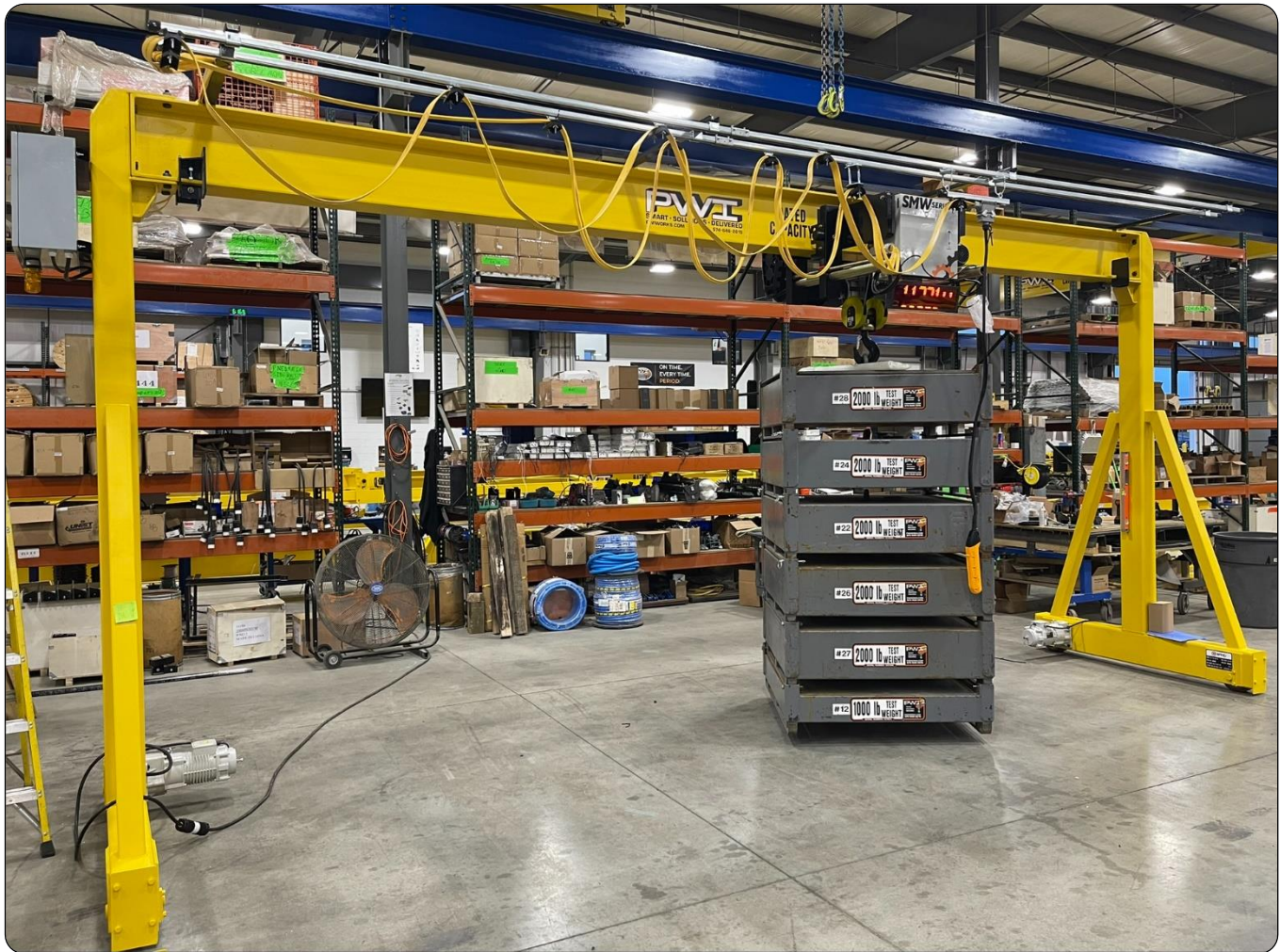
Mezzanine

Fall Protection

Fall Protection

Misc.

Misc.



Product specifications and dimensions are approximate and for informational purposes only. Variations may occur due to design or manufacturing adjustments. For exact measurements, please confirm with our customer service before ordering. PWI reserves the right to modify specifications without notice.



Motorized Gantry Crane

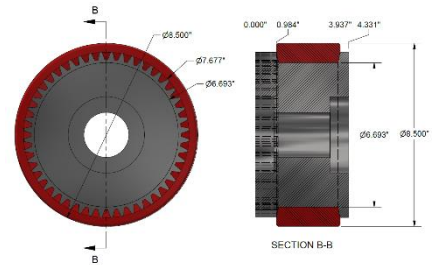


Product Description

- Gantry Crane rolls on floor track to change location of work area

Product Features

- Capacity: 500 lbs, 1,000 lbs, 1 Ton, 2 Ton, 3 Ton, 5 Ton, 6 Ton, 7.5 Ton, 8 Ton, 10 Ton, 12.5 Ton, 15 Ton
- Span: 5'-60'
- Height: 19'-30'
- Tapered Box Columns
- Polyurethane Coating Bonded to Geared Wheels 95A Durometer
- Tracking: Press and hold the button below the E stop to reverse the direction of the drive motor on the opposite side allowing you to correct the tracking direction of the gantry crane.
- Includes cord reel



Cranes

Mezzanine

Fall Protection

Misc.

Cranes

Mezzanine

Fall Protection

Misc.

Product specifications and dimensions are approximate and for informational purposes only. Variations may occur due to design or manufacturing adjustments. For exact measurements, please confirm with our customer service before ordering. PWI reserves the right to modify specifications without notice.



Jib Cranes



Wall/Column Mounted

Free Standing Foundationless

Free Standing with Foundation

Cranes

Cranes

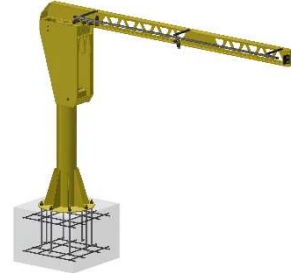
- [Wall/Column Cantilever](#)



- [Workstation](#)



- [Free Standing Base Plate](#)



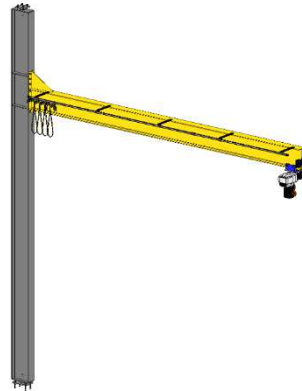
Mezzanine

Mezzanine

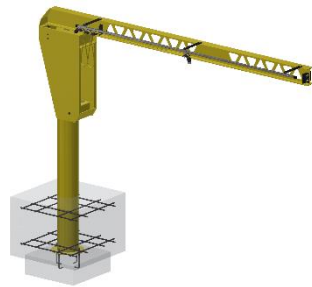
- [Wall/Column Tie Rod](#)



- [Floor Mast Cantilever](#)



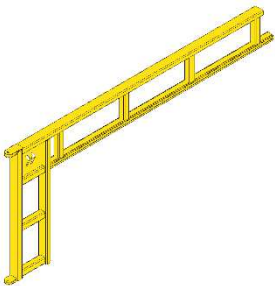
- [Free Standing Foundation](#)



Fall Protection

Fall Protection

- [Workstation Cantilever](#)



Misc.

Misc.

Product specifications and dimensions are approximate and for informational purposes only. Variations may occur due to design or manufacturing adjustments. For exact measurements, please confirm with our customer service before ordering. PWI reserves the right to modify specifications without notice.



Wall Mounted Cantilever Jib Crane

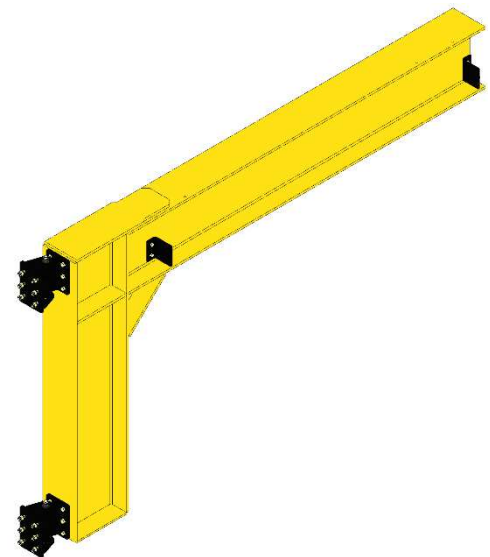
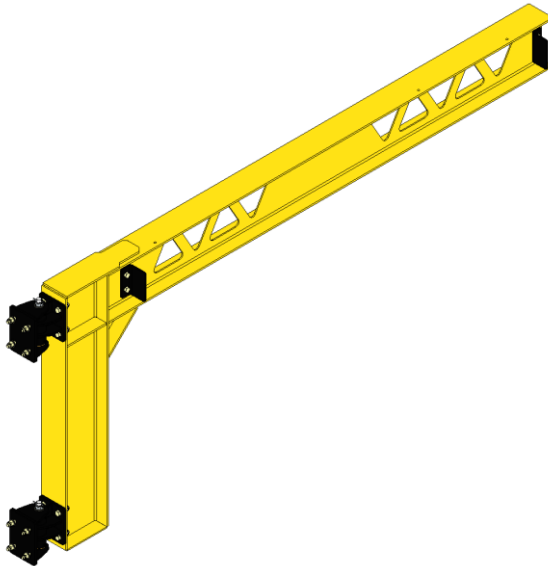
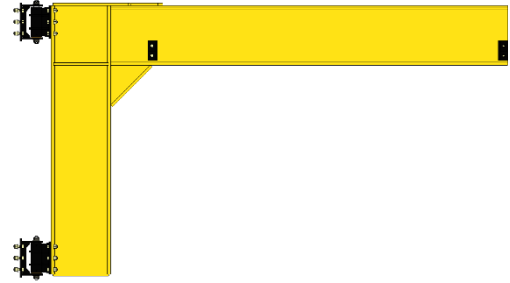
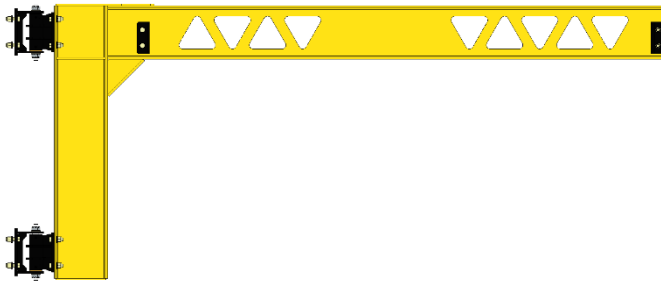


Product Description

- Jib crane has up to 180° rotation to use around work area
- Product Code: JBWMC
- [Interactive 3D Viewer](#)

Product Features

- Ultralite and standard W-beam
- Ultralite Capacity: 500 lbs, 1,000 lbs, 1 Ton, 2 Ton, 3 Ton
- Heavy Duty Capacity: 5 ton
- Span: 8'-20'
- W-beam (trolley travel)



ULTRALITE
SERIES

Product specifications and dimensions are approximate and for informational purposes only. Variations may occur due to design or manufacturing adjustments. For exact measurements, please confirm with our customer service before ordering. PWI reserves the right to modify specifications without notice.



Column Mounted Cantilever Jib Crane

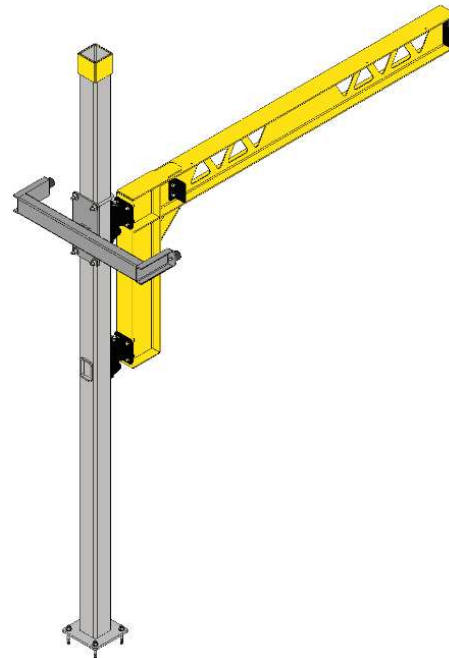
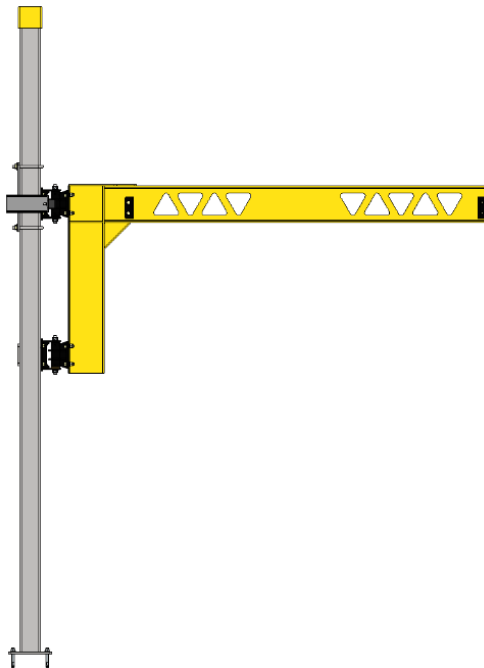


Product Description

- Jib crane has up to 180° rotation to use around work area
- Product Code: JBCMC

Product Features

- Ultralite beam configuration
- Capacity: 500 lbs, 1,000 lbs, 1 Ton, 2 Ton, 3 Ton
- Span: 8'-20'
- W-beam (trolley travel)



ULTRALITE
SERIES

Product specifications and dimensions are approximate and for informational purposes only. Variations may occur due to design or manufacturing adjustments. For exact measurements, please confirm with our customer service before ordering. PWI reserves the right to modify specifications without notice.



Wall Mounted Tie Rod Jib Crane

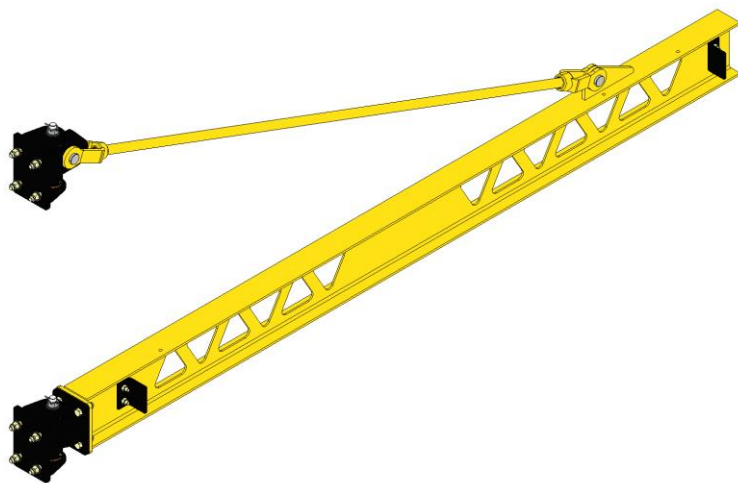
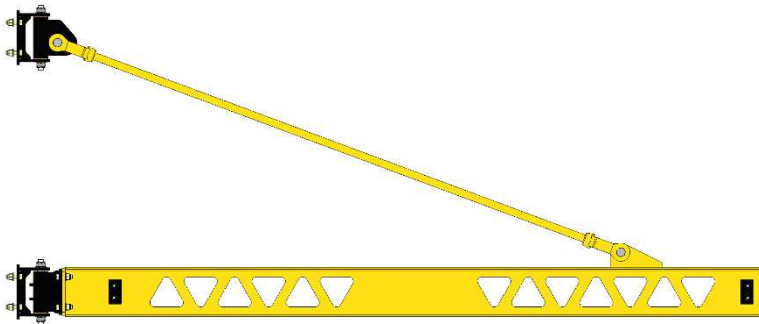


Product Description

- Jib crane has up to 180° rotation to use around work area
- Product Code: JBWTR

Product Features

- Ultralite beam configuration
- Capacity: 500 lbs, 1,000 lbs, 1 Ton, 2 Ton, 3 Ton
- Span: 8'-30'
- W-beam (trolley travel)



ULTRALITE
SERIES

Product specifications and dimensions are approximate and for informational purposes only. Variations may occur due to design or manufacturing adjustments. For exact measurements, please confirm with our customer service before ordering. PWI reserves the right to modify specifications without notice.



Motorized Wall Mounted Tie Rod Jib Crane



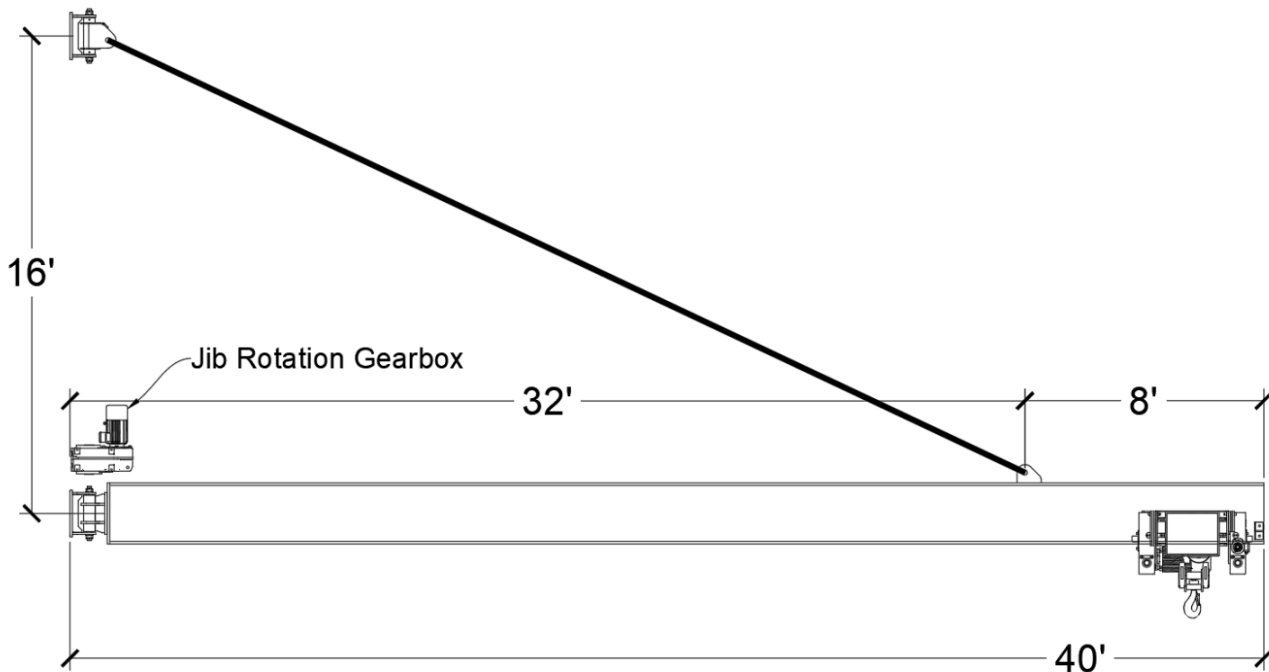
Product Description

- Jib crane has up to 180° rotation to use around work area
- Product Code:



Product Features

- Motorized jib rotation
- VFD controlled
- Capacity: 500 lbs, 1,000 lbs, 1 Ton, 2 Ton, 3 Ton, 5 Ton, 10 Ton
- Span: 8'-40'
- W-beam (trolley travel)
- Improves ergonomics
- Motor: 5.5 KW (7.38 HP) YEJ Brake Motor
- Motor RPM: 1,700 (60HZ)
- Power Supply: (460V, 3/phase, 4 Pole)
- Max Amp Draw: 9 amps



Product specifications and dimensions are approximate and for informational purposes only. Variations may occur due to design or manufacturing adjustments. For exact measurements, please confirm with our customer service before ordering. PWI reserves the right to modify specifications without notice.



Column Mounted Tie Rod Jib Crane

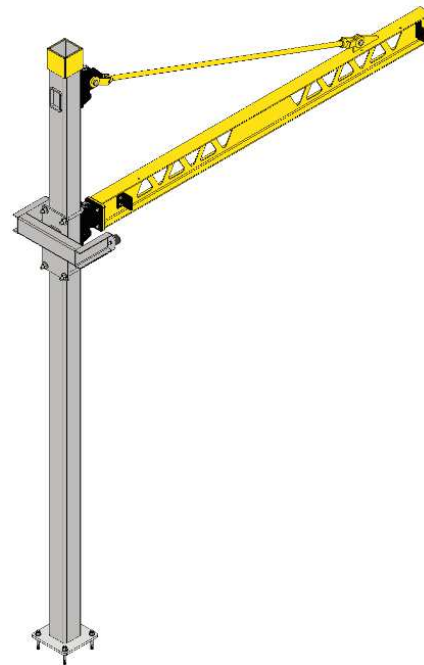
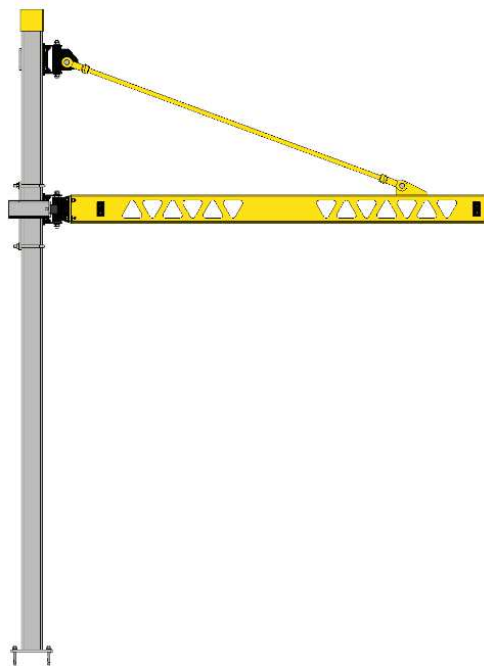


Product Description

- Jib crane has up to 180° rotation to use around work area
- Product Code: JBCTR

Product Features

- Ultralite beam configuration
- Capacity: 500 lbs, 1,000 lbs, 1 Ton, 2 Ton, 3 Ton
- Span: 8'-30'
- W-beam (trolley travel)



Cranes

Mezzanine

Fall Protection

Misc.

Cranes

Mezzanine

Fall Protection

Misc.

ULTRALITE
SERIES

Product specifications and dimensions are approximate and for informational purposes only. Variations may occur due to design or manufacturing adjustments. For exact measurements, please confirm with our customer service before ordering. PWI reserves the right to modify specifications without notice.



Workstation Cantilever Jib Crane

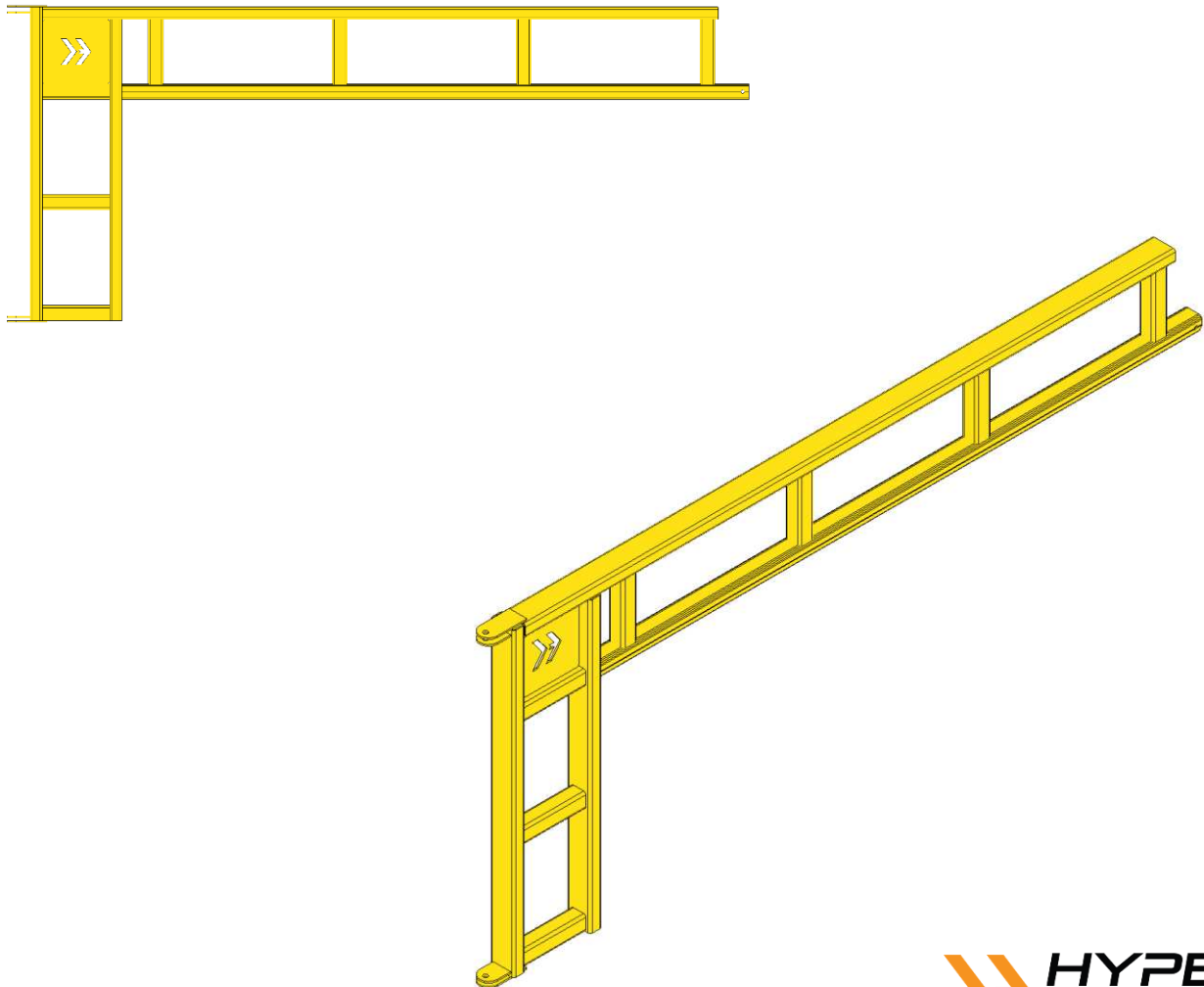


Product Description

- Jib crane has up to 180° rotation to use around work area
- Product Code: JBWSC

Product Features

- Hyperlite truss configuration
- Capacity: 250 lbs, 500 lbs, 1,000 lbs
- Span: 8'-16'
- Ergonomic 300/400 series enclosed track (trolley travel)



Product specifications and dimensions are approximate and for informational purposes only. Variations may occur due to design or manufacturing adjustments. For exact measurements, please confirm with our customer service before ordering. PWI reserves the right to modify specifications without notice.



Cranes

Cranes

Mezzanine

Mezzanine

Fall Protection

Fall Protection

Misc.

Misc.

HyperLite Foundationless Jib Crane



Product Description

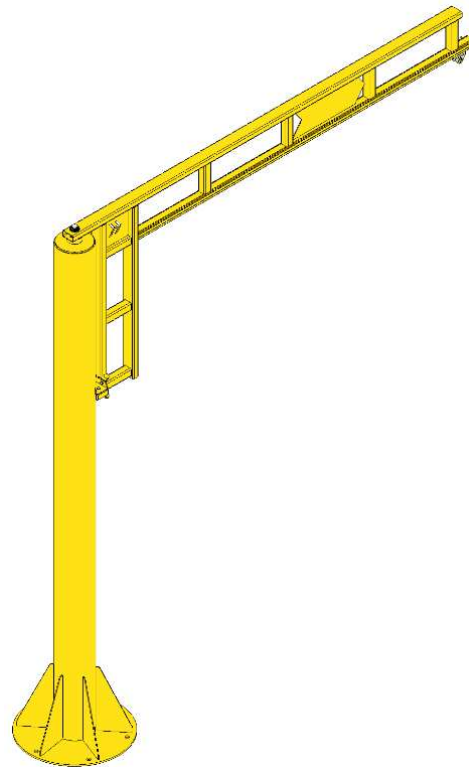
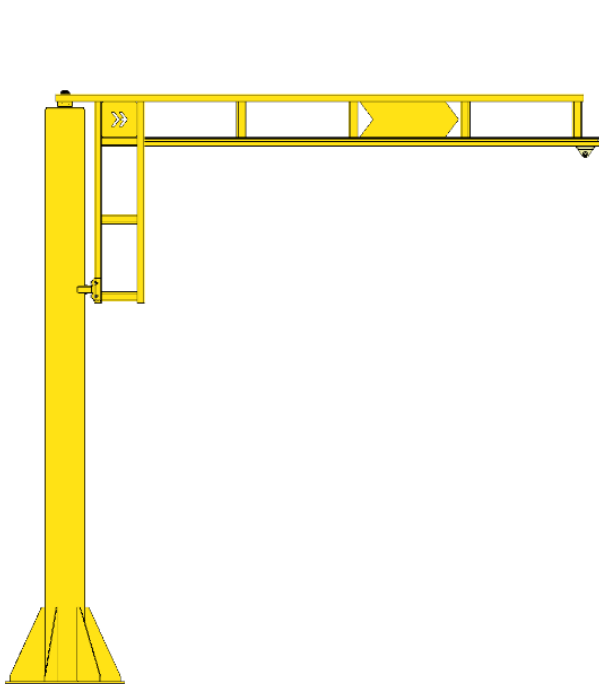
- Jib crane has up to 360° rotation to use around work area
- Foundationless design
- Product Code:

Product Features

- Hyperlite truss configuration
- Ergonomic 300/400 series enclosed track (trolley travel)
- Pipe column



Capacity	Span
250#	8' - 16'
500#	8'-14'
1,000#	8'-12'



Product specifications and dimensions are approximate and for informational purposes only. Variations may occur due to design or manufacturing adjustments. For exact measurements, please confirm with our customer service before ordering. PWI reserves the right to modify specifications without notice.

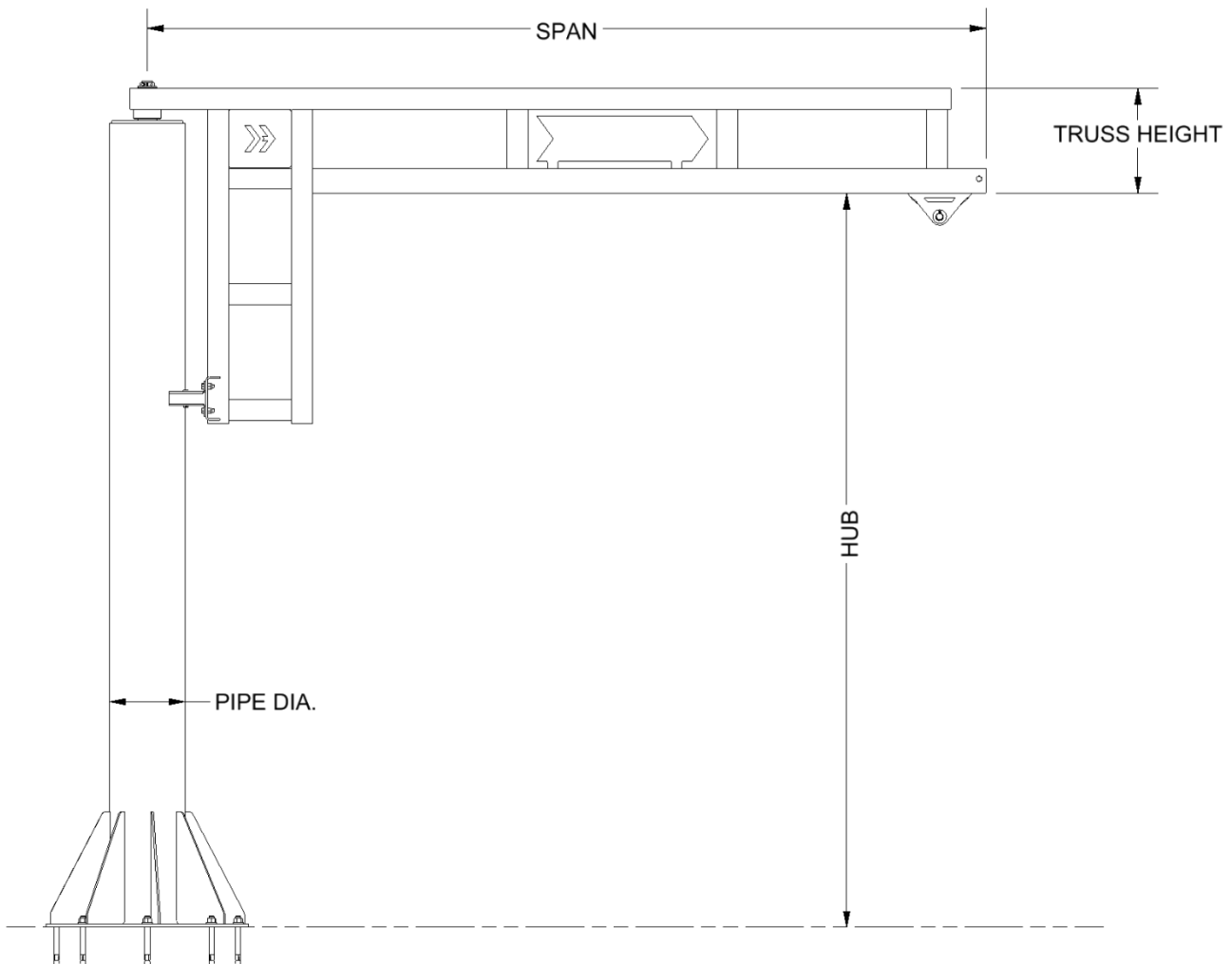


HyperLite Foundationless Jib Crane



Product Description

- HUB: 8'
- Span: 8'
- Truss Height: 14"
- Pipe Diameter: 10.75"



Product specifications and dimensions are approximate and for informational purposes only. Variations may occur due to design or manufacturing adjustments. For exact measurements, please confirm with our customer service before ordering. PWI reserves the right to modify specifications without notice.



Floor Mast Cantilever Jib Crane

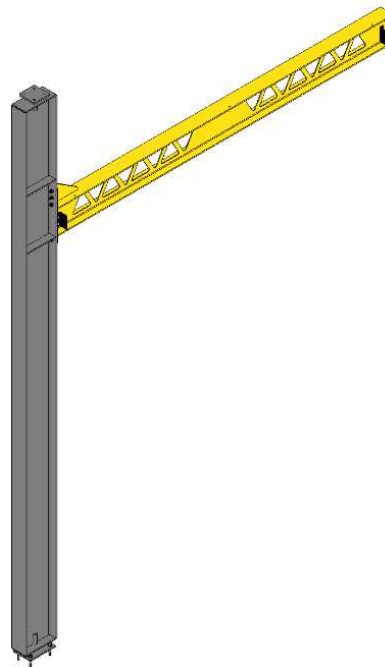
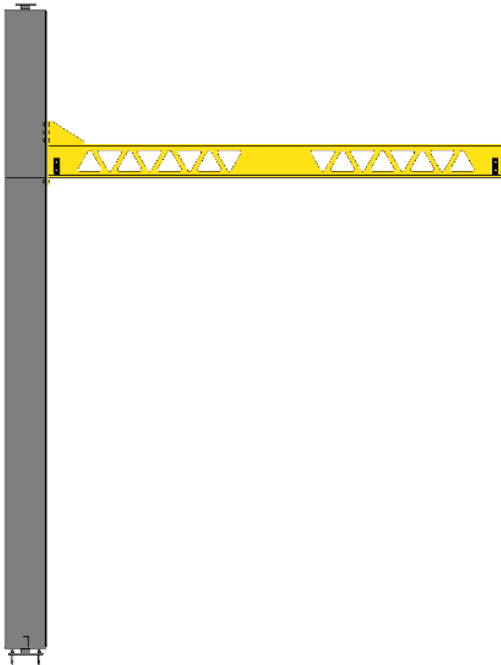


Product Description

- Jib crane has up to 360° rotation to use around work area
- Foundationless design
- Product Code: JBFMC

Product Features

- Ultralite beam configuration
- Full cantilever or drop cantilever design
- Capacity: 500 lbs, 1,000 lbs, 1 Ton, 2 Ton, 3 Ton
- Span: 8'-20'
- W-beam (trolley travel)



ULTRALITE
SERIES

Product specifications and dimensions are approximate and for informational purposes only. Variations may occur due to design or manufacturing adjustments. For exact measurements, please confirm with our customer service before ordering. PWI reserves the right to modify specifications without notice.



Freestanding Base Plate Jib Crane

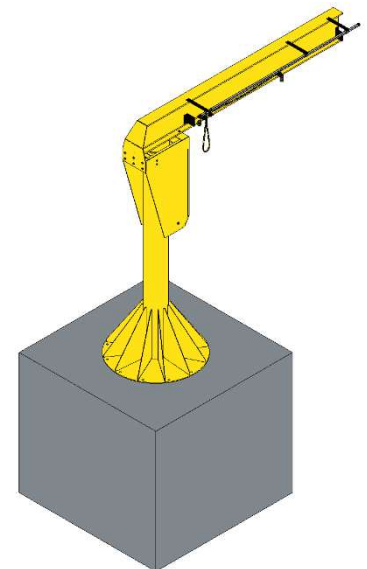
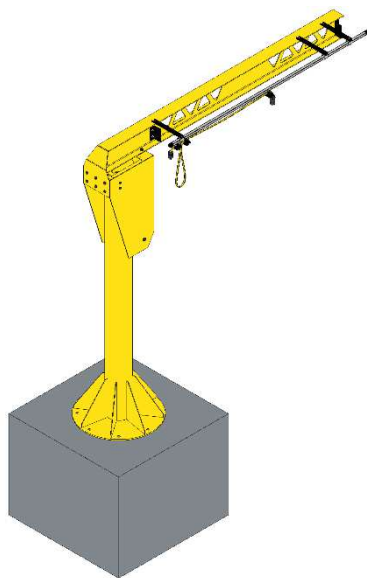
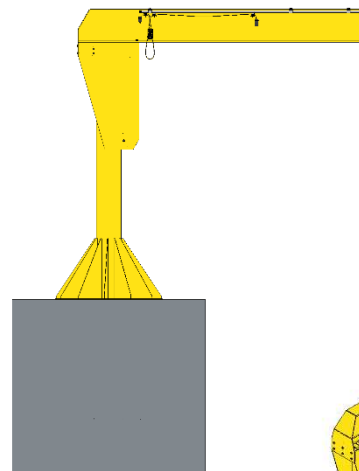
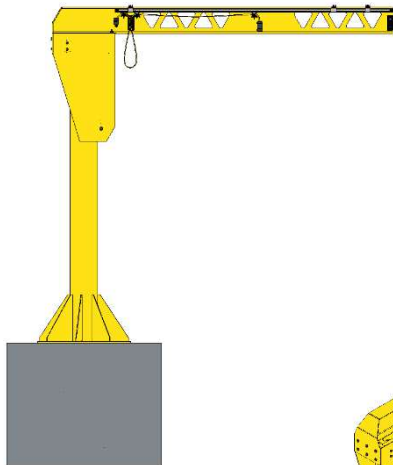


Product Description

- Jib crane has up to 360° rotation to use around work area
- Design requires foundation
- Product Code: JBFBSB

Product Features

- Ultralite and standard W-Beam
- Ultralite Capacity: 500 lbs, 1,000 lbs, 1 Ton, 2 Ton, 3 Ton
- Heavy Duty Capacity: 5 Ton
- Span: 8'-20'
- W-beam (trolley travel)
- Pipe column
- Pipe head weldment
- This design requires one concrete pour
- Includes large diameter base plate with embedded anchor rods



ULTRALITE
SERIES

Product specifications and dimensions are approximate and for informational purposes only. Variations may occur due to design or manufacturing adjustments. For exact measurements, please confirm with our customer service before ordering. PWI reserves the right to modify specifications without notice.



Freestanding Foundation Jib Crane

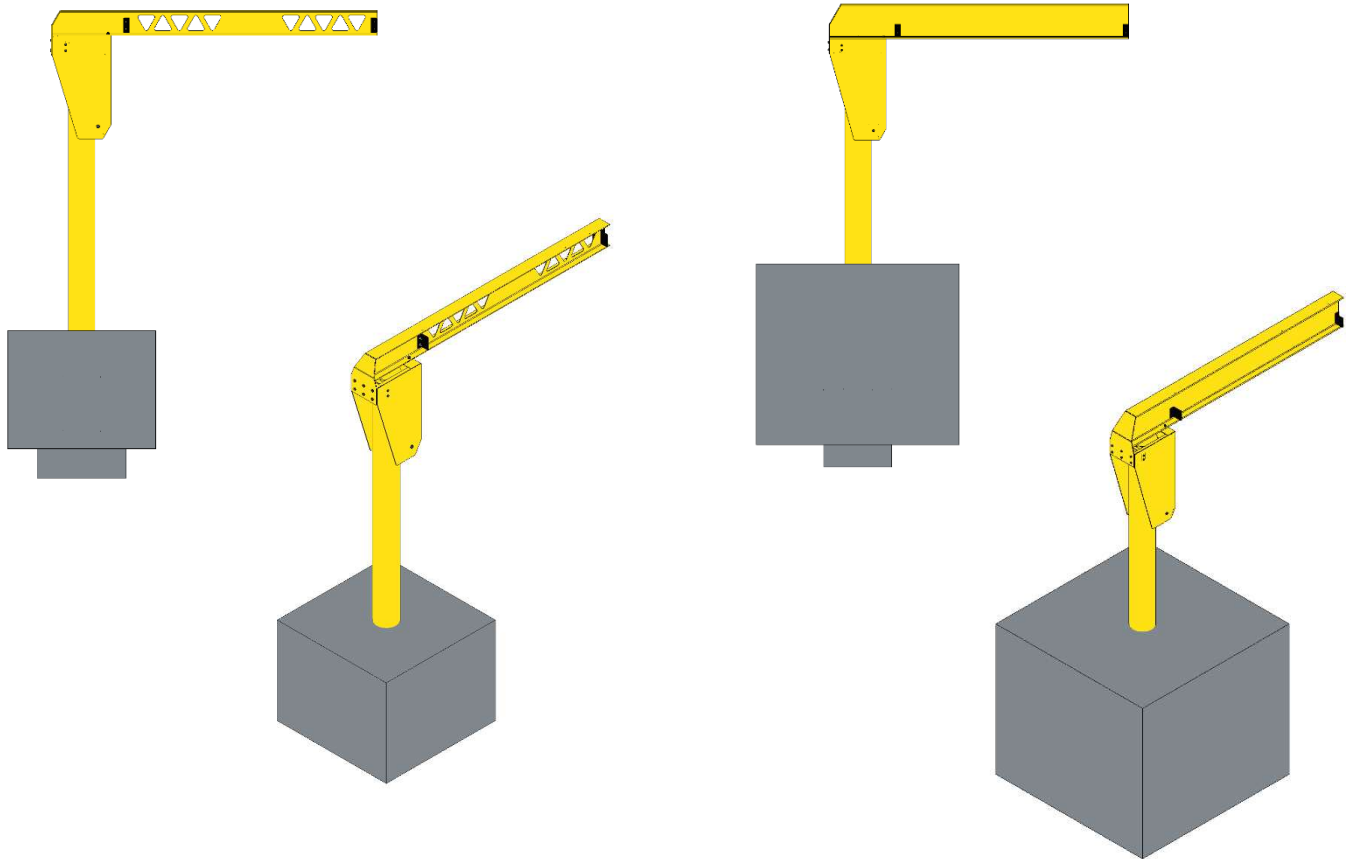


Product Description

- Jib crane has up to 360° rotation to use around work area
- Design requires foundation
- Product Code: JBFSF

Product Features

- Ultralite and standard W-Beam
- Ultralite Capacity: 500 lbs, 1,000 lbs, 1 Ton, 2 Ton, 3 Ton
- Heavy Duty Capacity: 5 Ton
- Span: 8'-20'
- W-beam (trolley travel)
- Pipe column
- Pipe head weldment
- This design requires two concrete pour
- Includes large diameter base plate with embedded anchor rods



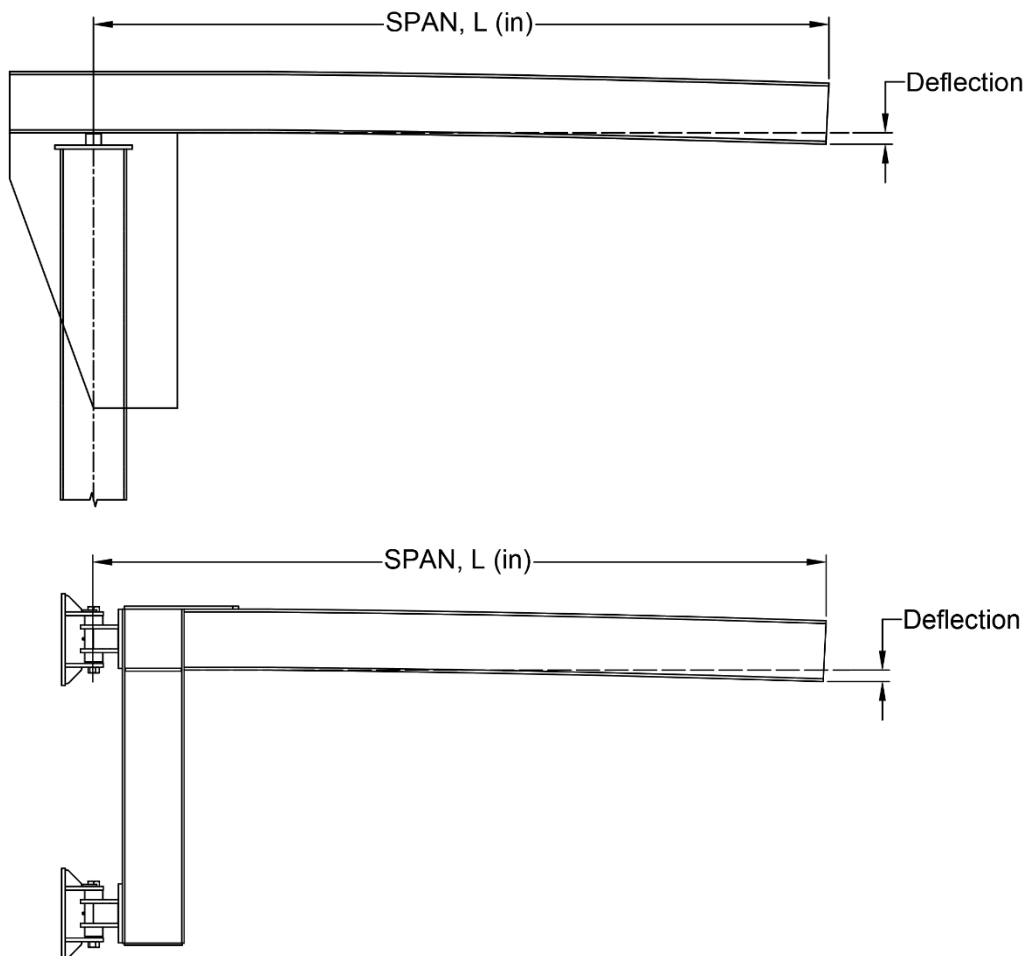
ULTRALITE
SERIES

Product specifications and dimensions are approximate and for informational purposes only. Variations may occur due to design or manufacturing adjustments. For exact measurements, please confirm with our customer service before ordering. PWI reserves the right to modify specifications without notice.



How to perform load test and measure deflection for jib cranes.

1. Position hoist at the end of the jib boom (max span) against the end stops.
2. Measure elevation of jib boom from end of jib boom to floor or laser line.
3. Lift 100% of the rated capacity.
4. Measure elevation of jib boom from end of jib boom to floor or laser line.
5. Subtract Step 2 from Step 4 to get the elevation difference. Elevation difference = deflection.
6. Max allowable deflection of a cantilever jib crane is $SPAN, L/150$
7. Lift 125% of the rated capacity to perform the Load Test required by CMAA



Overhead Crane End Trucks



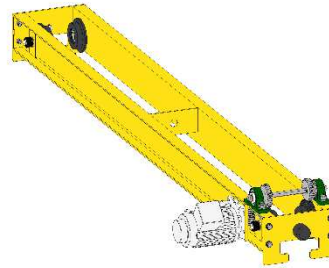
Manual

Motorized

Cranes

PZT – Top Runner

SCT – Top Runner

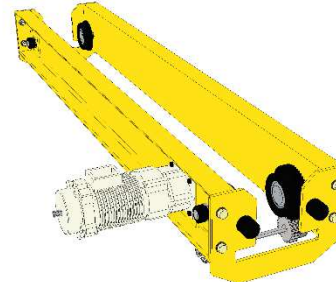
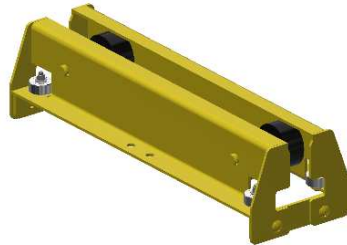


Cranes

Mezzanine

PZU – Under Running

SCU – Under Running



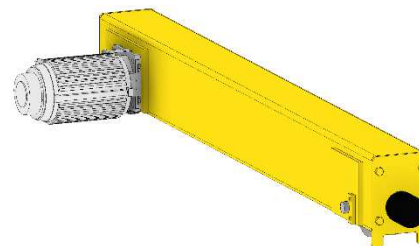
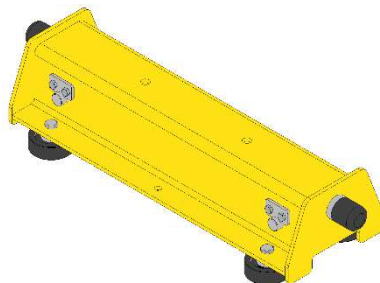
Mezzanine

Fall Protection

Misc.

Tube End Truck

STT – Top Running



Fall Protection

Misc.

Product specifications and dimensions are approximate and for informational purposes only. Variations may occur due to design or manufacturing adjustments. For exact measurements, please confirm with our customer service before ordering. PWI reserves the right to modify specifications without notice.



Bridge End Stops

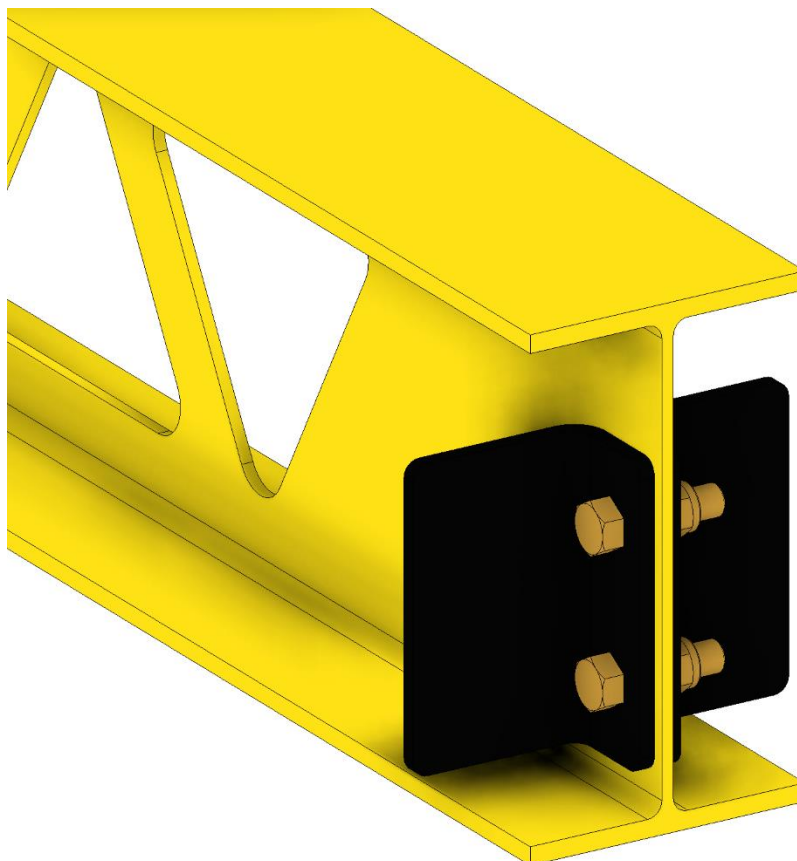


Product Description

- Web Bolted End Stops

Product Features

- Formed plate
- Small, medium per beam height



Cranes

Cranes

Mezzanine

Mezzanine

Fall Protection

Fall Protection

Misc.

Misc.

Product specifications and dimensions are approximate and for informational purposes only. Variations may occur due to design or manufacturing adjustments. For exact measurements, please confirm with our customer service before ordering. PWI reserves the right to modify specifications without notice.



Bridge End Stops



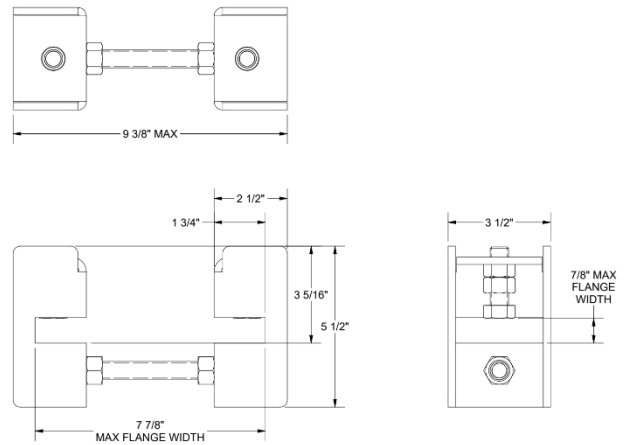
Product Description

- Clamp Style End Stops

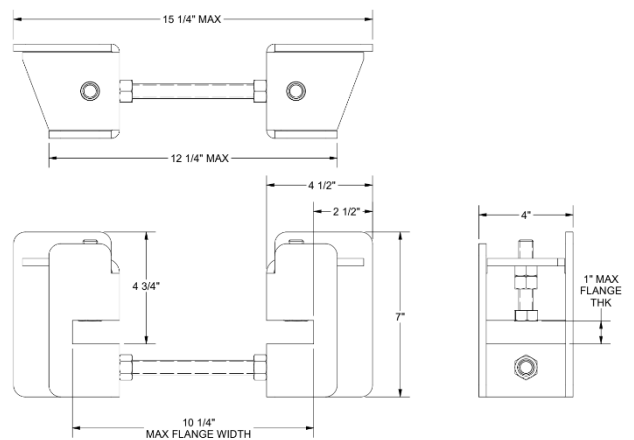
Product Features

- Clamped to bottom flange
- Adjustable placement
- Small, medium, large per beam flange

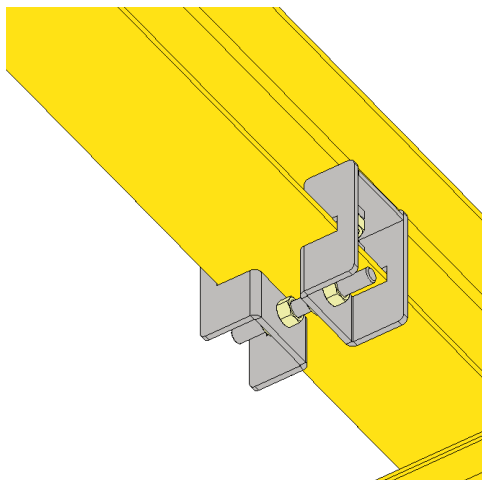
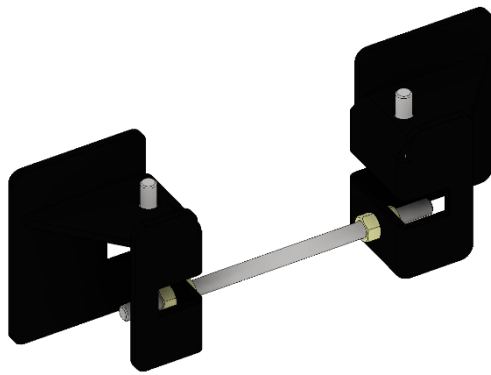
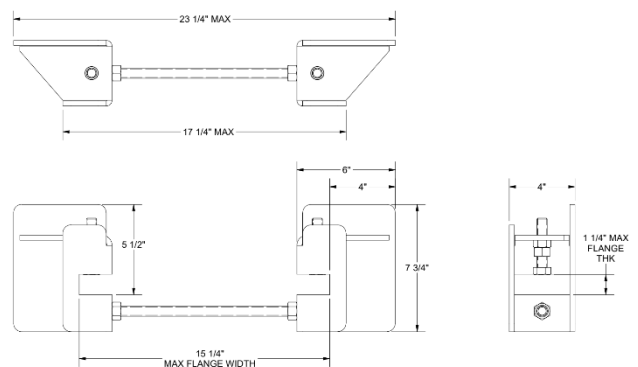
Small



Medium



Large



Cranes

Mezzanine

Fall Protection

Misc.

Cranes

Mezzanine

Fall Protection

Misc.

Product specifications and dimensions are approximate and for informational purposes only. Variations may occur due to design or manufacturing adjustments. For exact measurements, please confirm with our customer service before ordering. PWI reserves the right to modify specifications without notice.



Runway End Stops

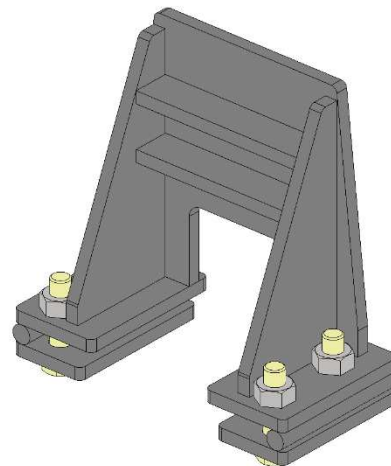
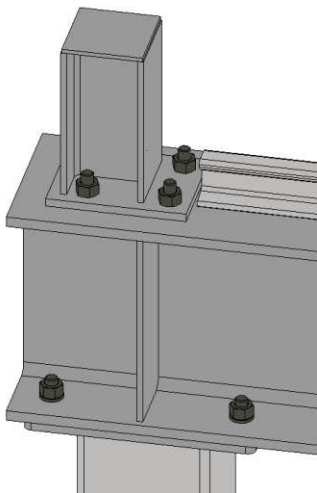
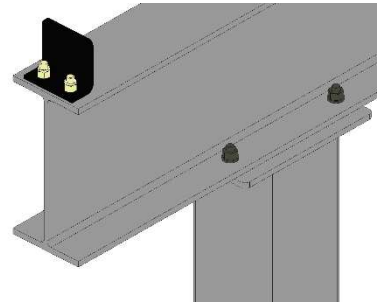


Product Description

- Runway Mounted End Stops

Product Features

- Formed Plate
 - Bolted to web or top flange
 - Used for monorail runways or top runner cranes
- Beam End Stop
 - Bolted to top flange
 - Used for top running cranes
- Clamp End Stop
 - Clamped to top flange
 - Used for top running cranes
 - Allows for adjustable bridge travel



Cranes

Mezzanine

Fall Protection

Misc.

Cranes

Mezzanine

Fall Protection

Misc.

Product specifications and dimensions are approximate and for informational purposes only. Variations may occur due to design or manufacturing adjustments. For exact measurements, please confirm with our customer service before ordering. PWI reserves the right to modify specifications without notice.



Decking Lifter

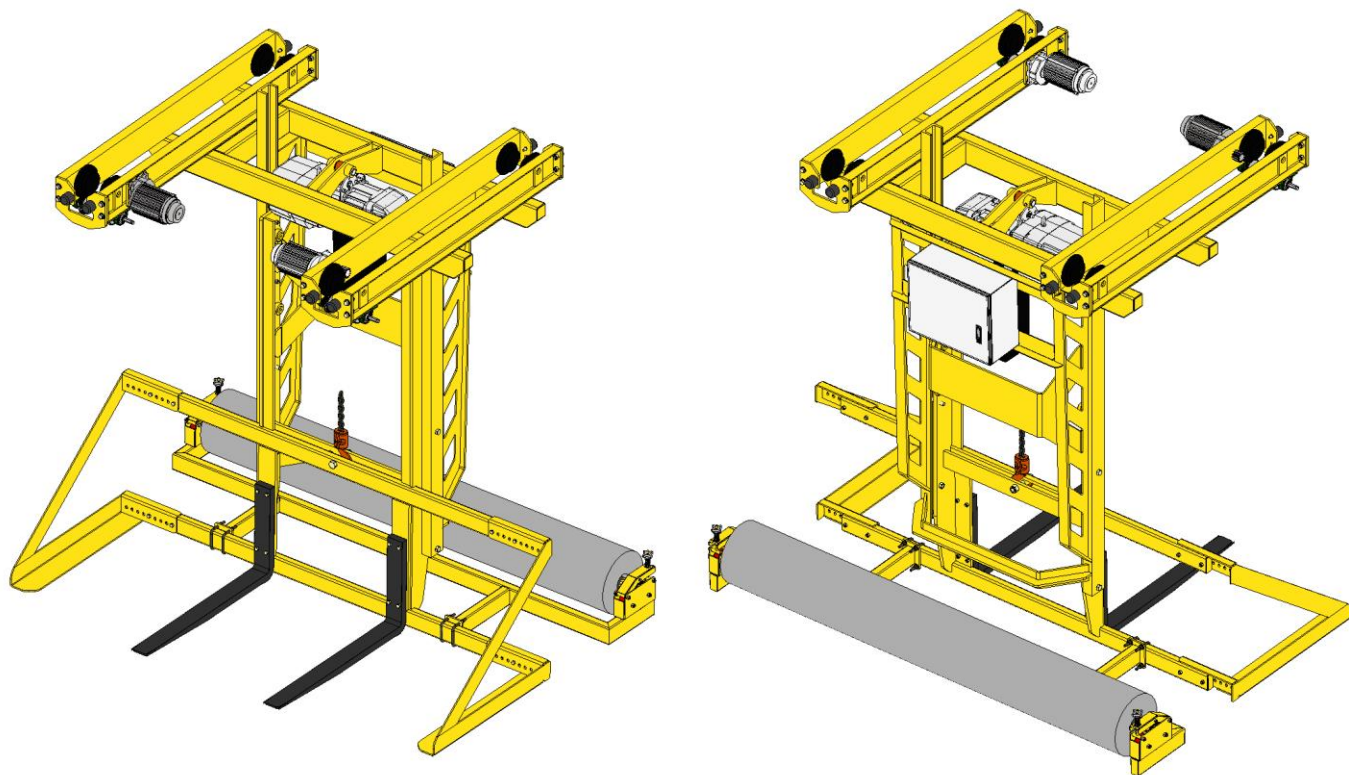


Product Description

This product allows the worker to transport large loads of decking (plywood, OSB, etc.) or pallets of other material from a mezzanine to the manufacturing space, without the need to haul the material by hand.

Product Features

- 2T, 3T
- Rear Foil Rack



Cranes

Cranes

Mezzanine

Mezzanine

Fall Protection

Fall Protection

Misc.

Misc.

Product specifications and dimensions are approximate and for informational purposes only. Variations may occur due to design or manufacturing adjustments. For exact measurements, please confirm with our customer service before ordering. PWI reserves the right to modify specifications without notice.



Decking Lifter



Product Description

This product allows the worker to transport large loads of decking (plywood, OSB, etc.) or pallets of other material from a mezzanine to the manufacturing space, without the need to haul the material by hand.

Product Features

- 2T, 3T
- Optional Rear Foil Rack

Cranes

Cranes

Mezzanine

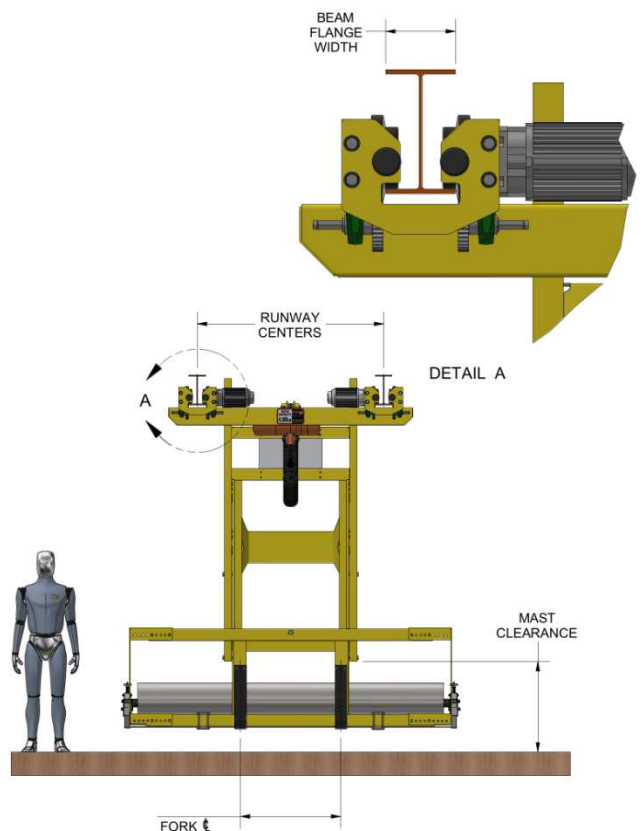
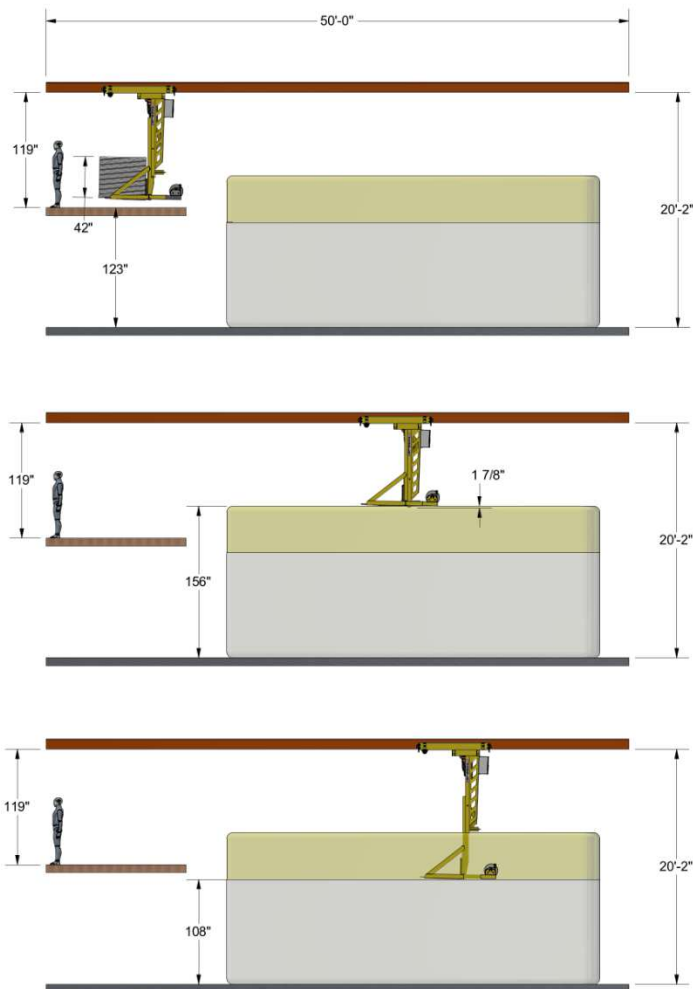
Mezzanine

Fall Protection

Fall Protection

Misc.

Misc.



Product specifications and dimensions are approximate and for informational purposes only. Variations may occur due to design or manufacturing adjustments. For exact measurements, please confirm with our customer service before ordering. PWI reserves the right to modify specifications without notice.



Monorail Cart

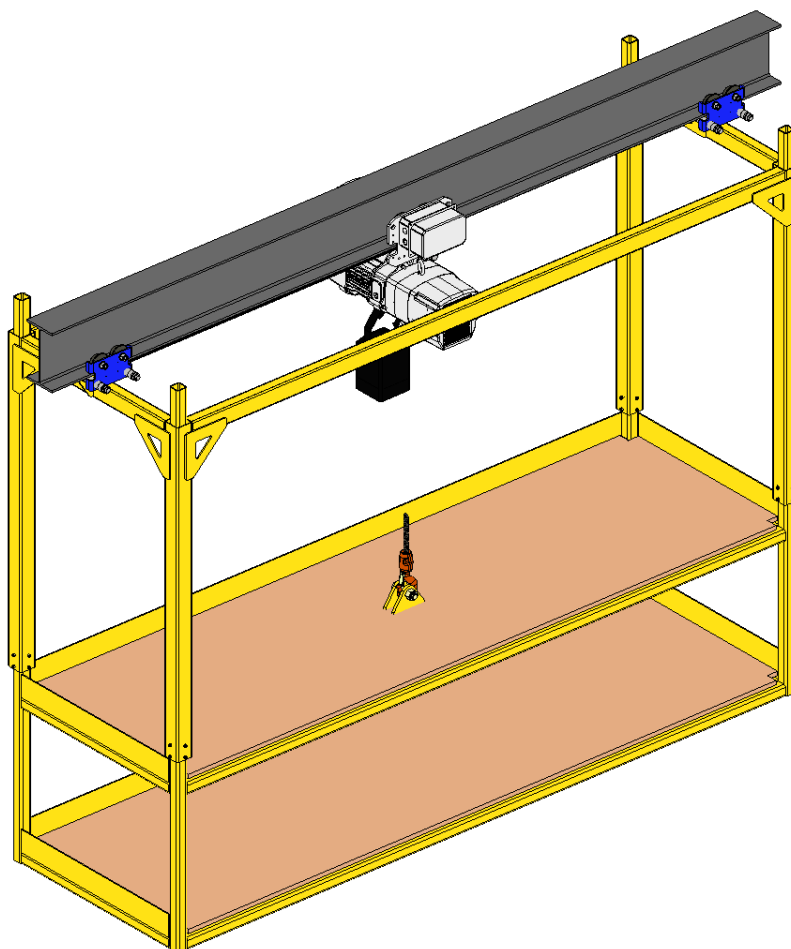


Product Description

This cart can be used to transport loaded tools and materials to and along the workspace. This allows the employee to work efficiently, without needing to carry items to and from the workspace.

Product Features

- 8'-10' Length
- 3' Width
- Motorized or manual trolleys
- 1000lb. Lifting Capacity
- Short lip along 3 sides of each shelf to prevent items from sliding off
- Total Height Adjustability: 2' 6"
- Remote Operated
- Designed in accordance with ASME B30.2 Below-The-Hook Lifting Devices



Product specifications and dimensions are approximate and for informational purposes only. Variations may occur due to design or manufacturing adjustments. For exact measurements, please confirm with our customer service before ordering. PWI reserves the right to modify specifications without notice.



Runway Cart

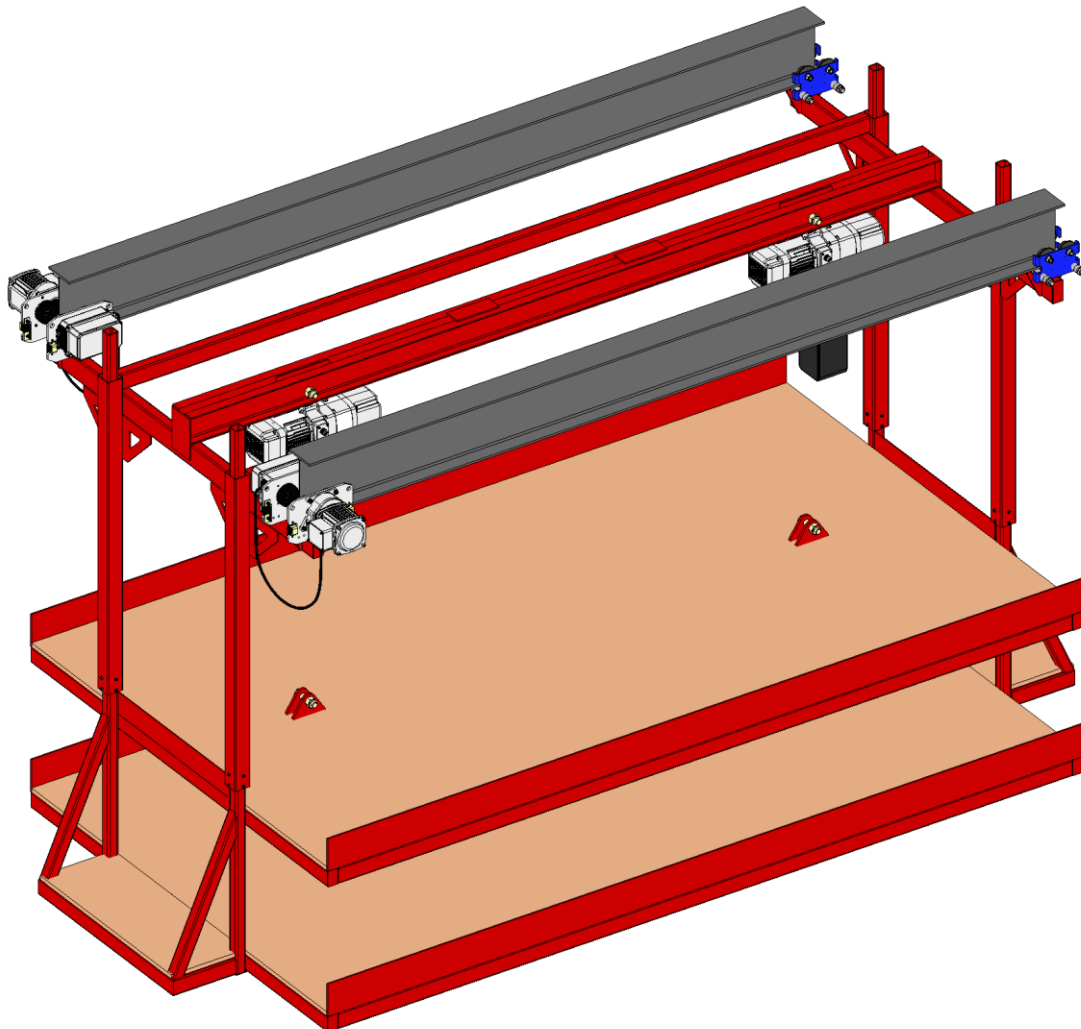


Product Description

This cart can be used to transport loaded tools and materials to and along the workspace. This allows the employee to work efficiently, without needing to carry items to and from the workspace. The runway cart more is stable and gives a larger storage space than the monorail cart.

Product Features

- 12' Length
- 6' Width
- Motorized trolleys
- 800lb. Lifting Capacity
- Short lip along sides of each shelf to prevent items from sliding off
- Designed in accordance with ASME B30.2 Below-The-Hook Lifting Devices



Cranes

Mezzanine

Fall Protection

Misc.

Cranes

Mezzanine

Fall Protection

Misc.

Product specifications and dimensions are approximate and for informational purposes only. Variations may occur due to design or manufacturing adjustments. For exact measurements, please confirm with our customer service before ordering. PWI reserves the right to modify specifications without notice.



Stationary Decoiler



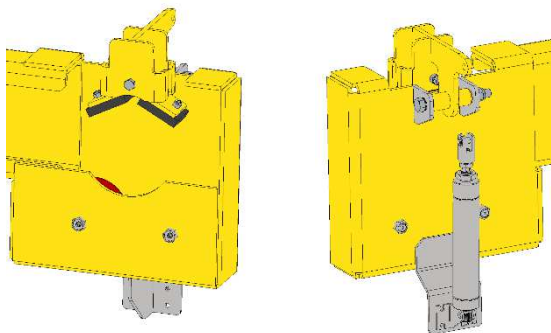
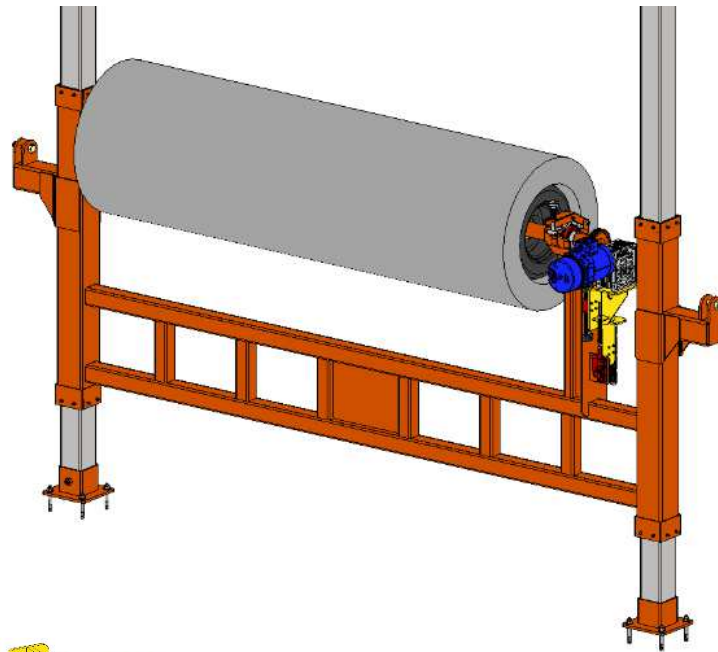
Product Description

- Stationary Decoiler
- Pneumatic brake to control decoiling speed
- Operator presses remote to release brake on/off

Product Features

- **Coil Width:** 102"
- **Coil ID:** 19.5"
- **Coil OD:** 30"
- **Lifting Capacity:** 4,000#
- **Power Supply:** no power required
- **Air:** customer to provide 120 psi shop air
- **Rotation/Decoiling Speed:** manual

LiftMaster



Cranes

Mezzanine

Fall Protection

Misc.

Cranes

Mezzanine

Fall Protection

Misc.

Product specifications and dimensions are approximate and for informational purposes only. Variations may occur due to design or manufacturing adjustments. For exact measurements, please confirm with our customer service before ordering. PWI reserves the right to modify specifications without notice.



Stationary Decoiler



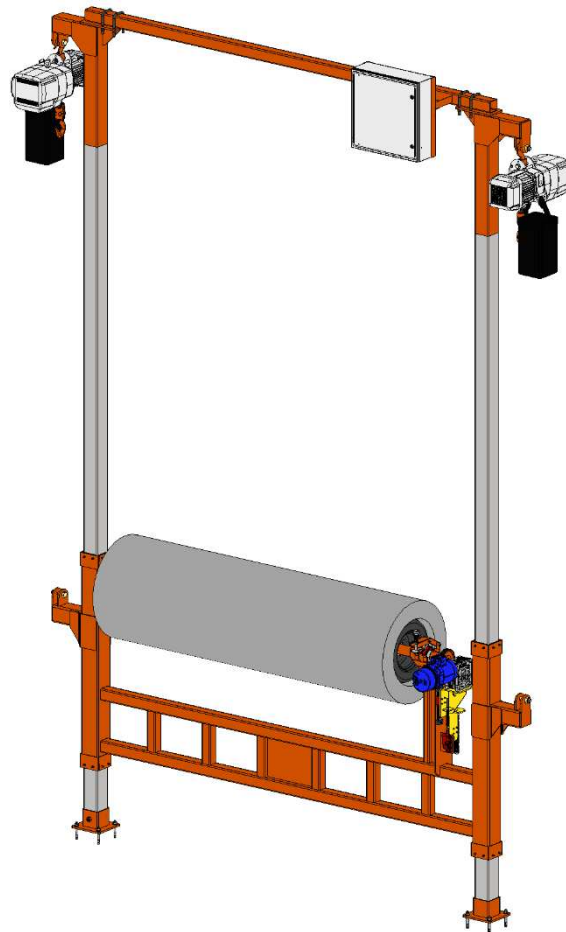
Product Description

- Lifts coils to desired height for decoiling for production line



Product Features

- Coil Width:** 103"
- Coil ID:** 19.5"
- Coil OD:** 30"
- Lifting Capacity:** 4,000#
- Lift Height:** 14'
- Power Supply:** (460V)
- Lifting Speed:** 26 fpm
- Rotation/Decoiling Speed:** variable



Cranes

Cranes

Mezzanine

Mezzanine

Fall Protection

Fall Protection

Misc.

Misc.

Product specifications and dimensions are approximate and for informational purposes only. Variations may occur due to design or manufacturing adjustments. For exact measurements, please confirm with our customer service before ordering. PWI reserves the right to modify specifications without notice.



Traveling Decoiler

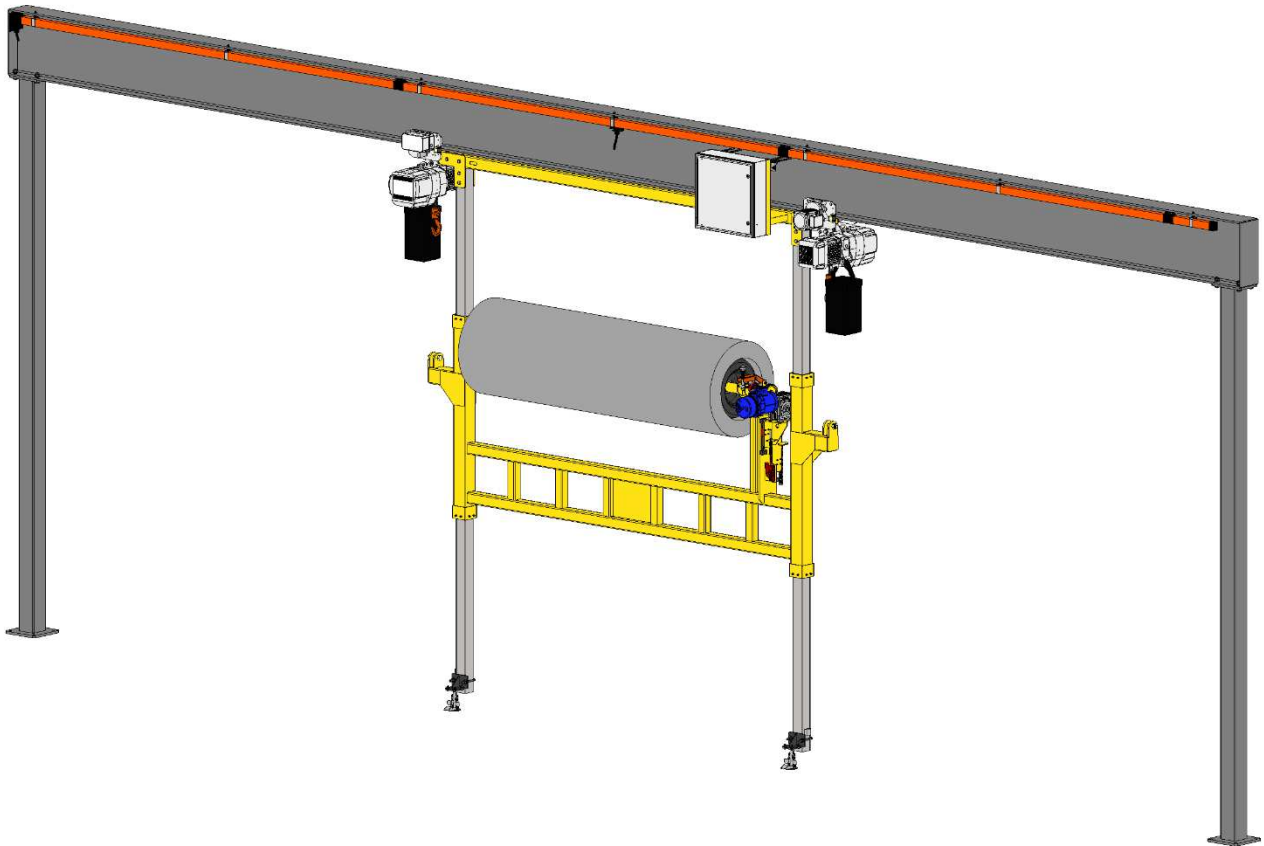


Product Description

- Lifts coils to desired height for decoiling for production line
- Travels side to side for coil loading/unloading

Product Features

- **Coil Width:** 103"
- **Coil ID:** 19.5"
- **Coil OD:** 30"
- **Lifting Capacity:** 4,000#
- **Lift Height:** 14'
- **Power Supply:** (460V)
- **Lifting Speed:** 26 fpm
- **Rotation/Decoiling Speed:** variable



Cranes

Cranes

Mezzanine

Mezzanine

Fall Protection

Fall Protection

Misc.

Misc.

Product specifications and dimensions are approximate and for informational purposes only. Variations may occur due to design or manufacturing adjustments. For exact measurements, please confirm with our customer service before ordering. PWI reserves the right to modify specifications without notice.



Manual Bridge I Beam Brake



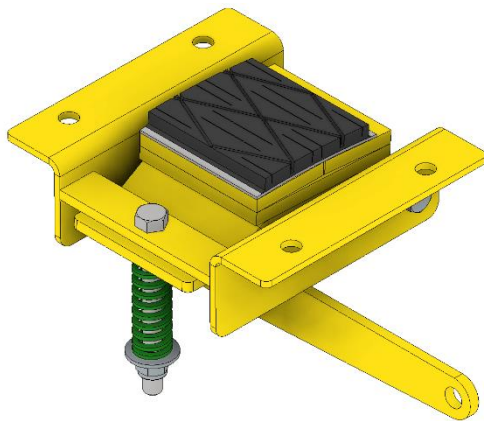
Product Description

- Manual Bridge Brake

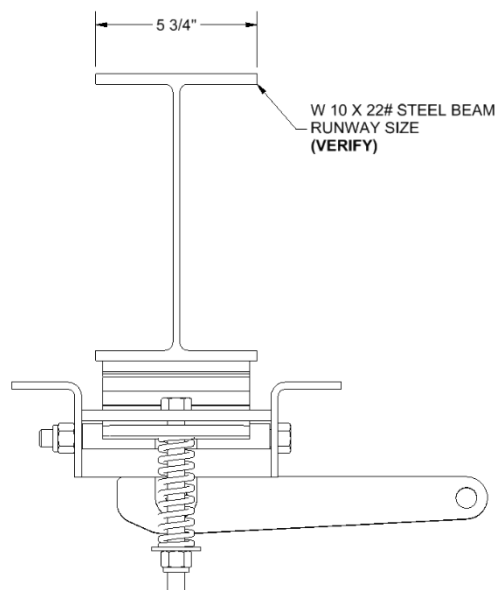
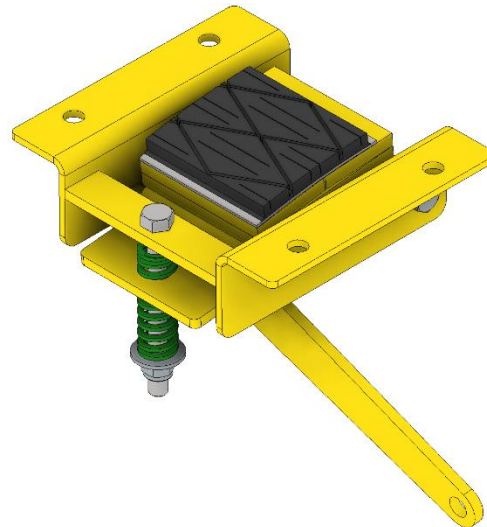
Product Features

- Compatible with PZU End Trucks

Engaged



Disengaged



Product specifications and dimensions are approximate and for informational purposes only. Variations may occur due to design or manufacturing adjustments. For exact measurements, please confirm with our customer service before ordering. PWI reserves the right to modify specifications without notice.

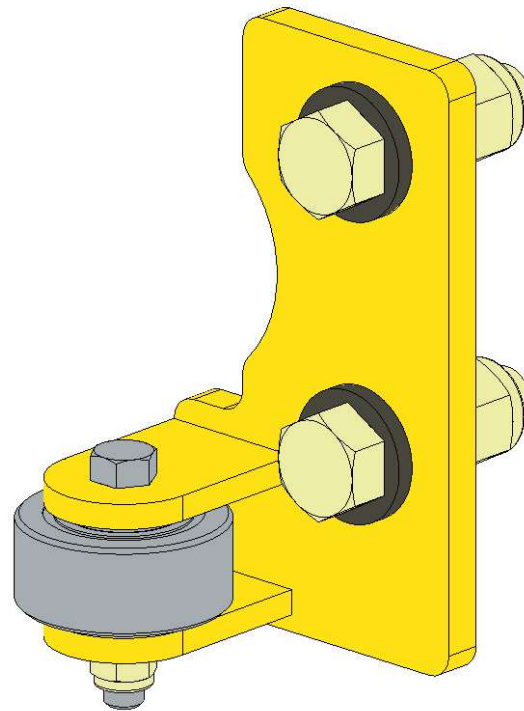
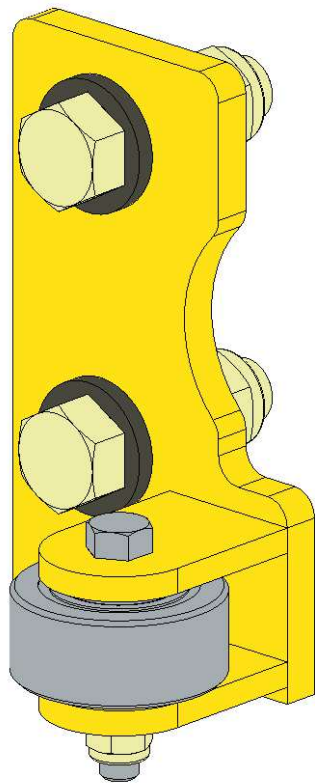
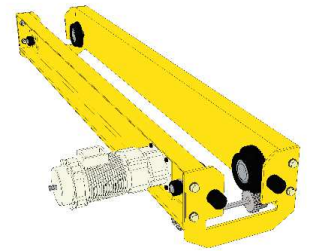


Stationary Under Running Side Guide Roller



Product Description

- Side Guide Roller
- **Product Features**
- Stationary Side Guide Rollers



Cranes

Cranes

Mezzanine

Mezzanine

Fall Protection

Fall Protection

Misc.

Misc.

Product specifications and dimensions are approximate and for informational purposes only. Variations may occur due to design or manufacturing adjustments. For exact measurements, please confirm with our customer service before ordering. PWI reserves the right to modify specifications without notice.



Adjustable Under Running Side Guide Roller



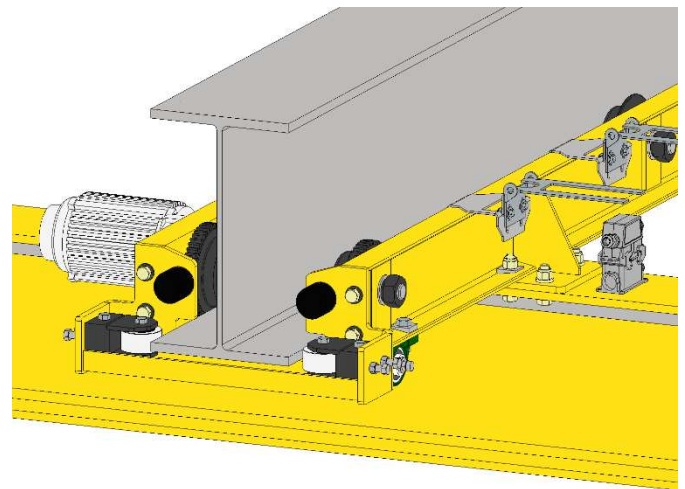
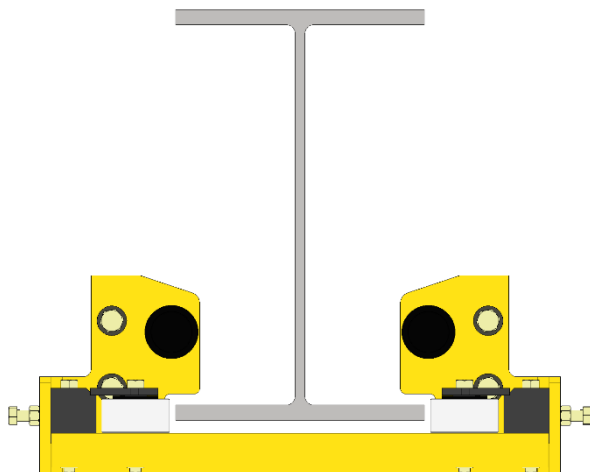
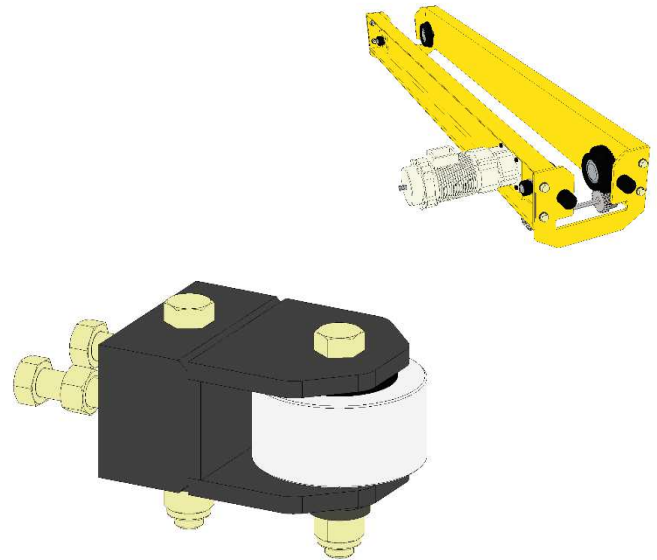
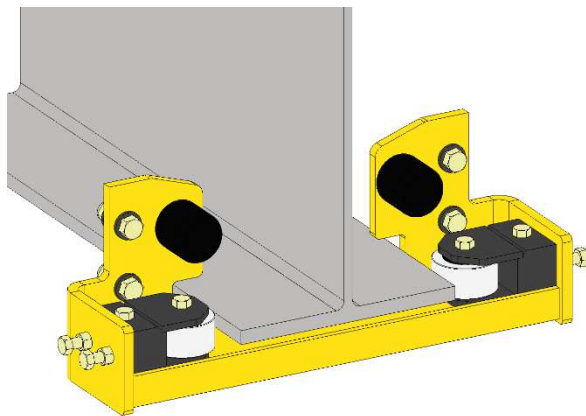
Product Description

- Adjustable side guide roller for Starke SCU Under Running End trucks on Wide Flange beams



Product Features

- Compatible with SCU End Trucks
- Adjust bridge girder alignment with monorail / interlocks



Cranes

Cranes

Mezzanine

Mezzanine

Fall Protection

Fall Protection

Misc.

Misc.

Product specifications and dimensions are approximate and for informational purposes only. Variations may occur due to design or manufacturing adjustments. For exact measurements, please confirm with our customer service before ordering. PWI reserves the right to modify specifications without notice.



Starke 300 Series Brake

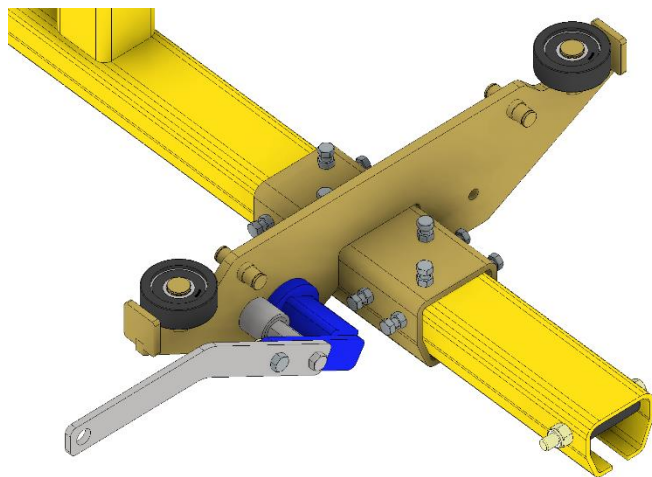
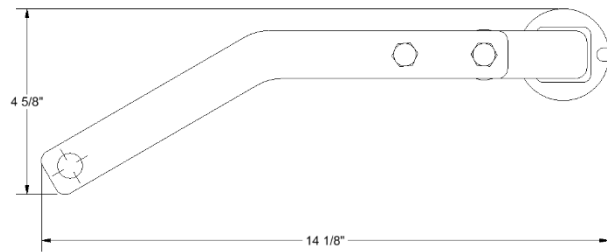
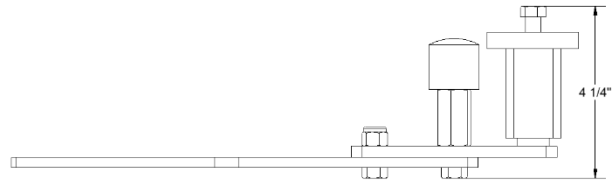
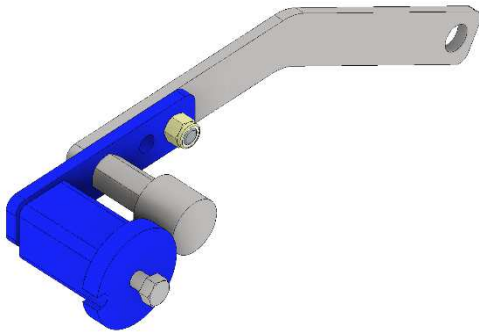


Product Description

- Brake

Product Features

- Compatibility:
 - Starke End Trucks
 - Crosswalks



Product specifications and dimensions are approximate and for informational purposes only. Variations may occur due to design or manufacturing adjustments. For exact measurements, please confirm with our customer service before ordering. PWI reserves the right to modify specifications without notice.



Cranes

Mezzanine

Fall Protection

Misc.

Cranes

Mezzanine

Fall Protection

Misc.

Underhung Motorized Bridge Runway Interlock



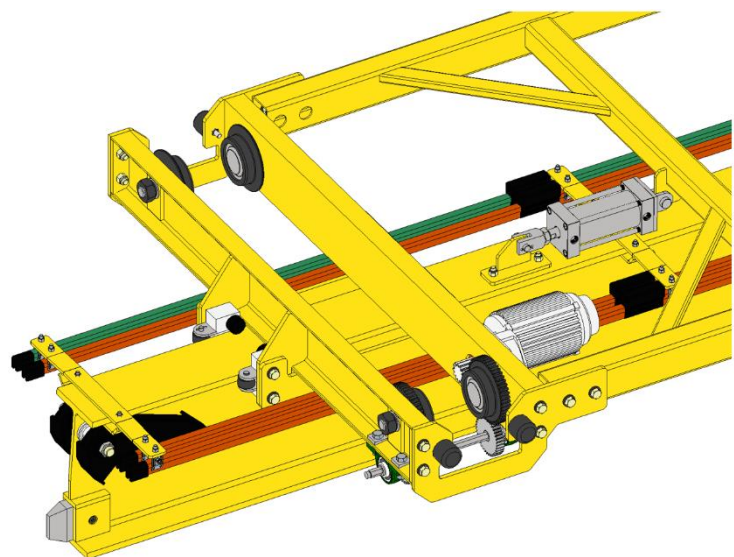
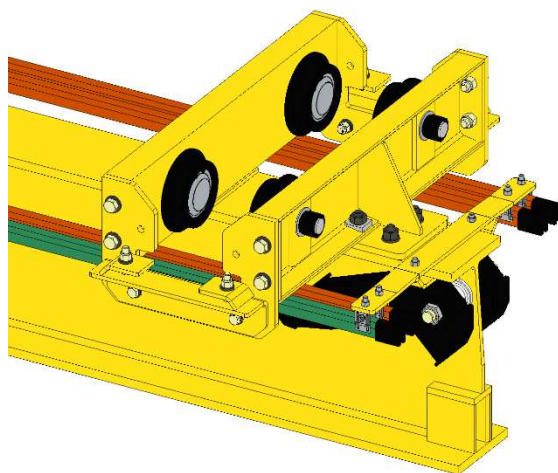
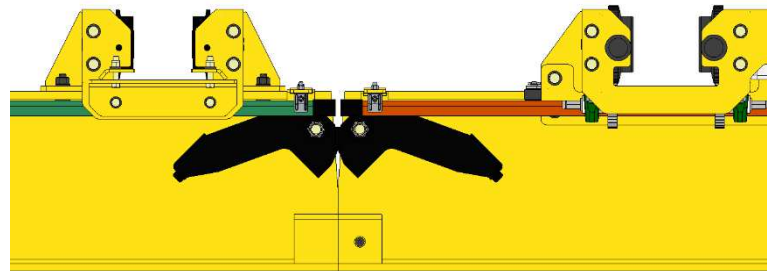
Product Description

- Capacity: 1 T, 2 T, 3 T, 5 T, 6 T, 7.5 T, 8 T, 10 T



Product Features

- Optional interlocking a bridge crane to a monorail or another bridge crane
- Allows for interlocking at any point where both bridges are aligned
- Starke SCU end trucks
- INMOTION Controls
- Optional Pneumatic or Electric Telescoping
- Self-aligning blade
- Sub Frame to connect end trucks
- End truck to girder rollers allow girder to Quiet/Smooth operation
- End stops on both sides of beam
- Gapless bottom flange when locked



Product specifications and dimensions are approximate and for informational purposes only. Variations may occur due to design or manufacturing adjustments. For exact measurements, please confirm with our customer service before ordering. PWI reserves the right to modify specifications without notice.



Underhung Manual Bridge Runway Interlock

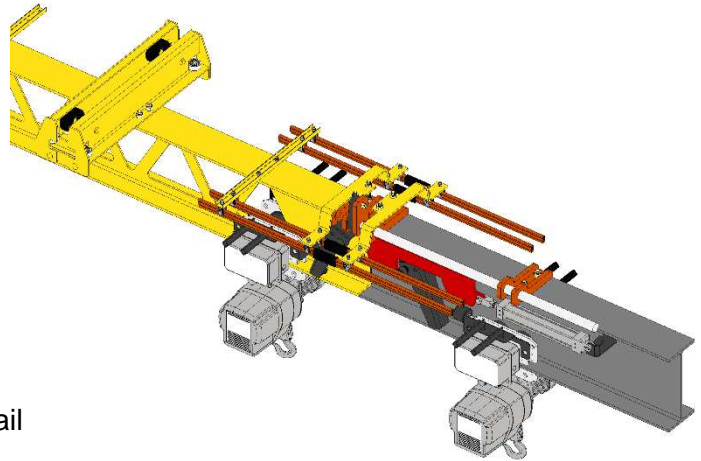


Product Description

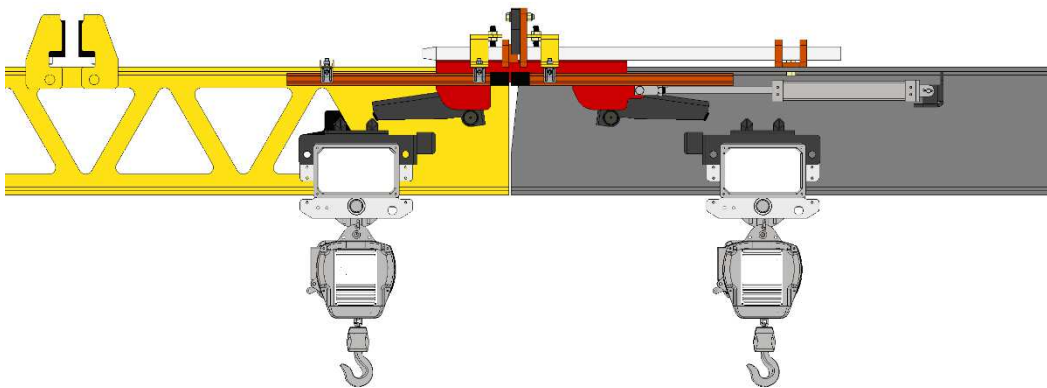
- Capacity: ¼ T, ½ T, 1 T, 2 T, 3 T

Product Features

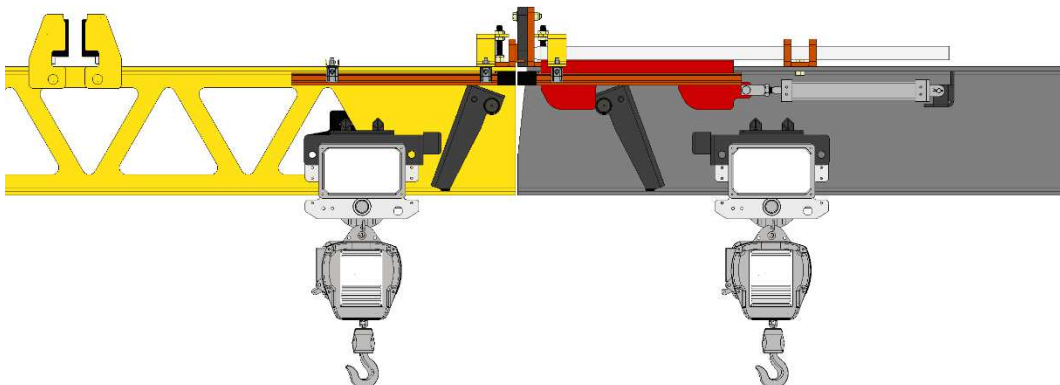
- For interlocking a bridge crane to a monorail
- Self-aligning pin
- Less expensive
- End stops only on one side of beams
- Tight clearance required between bridge and monorail
- ¼" Gap on bottom flange whole locked
- Optional Starke SCU end trucks or PZU end trucks
- INMOTION Controls
- No subframe required
- Pneumatic



Locked



Unlocked



Product specifications and dimensions are approximate and for informational purposes only. Variations may occur due to design or manufacturing adjustments. For exact measurements, please confirm with our customer service before ordering. PWI reserves the right to modify specifications without notice.

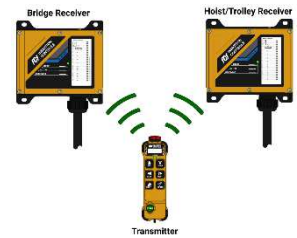


Top Running Motorized Bridge Runway Interlock



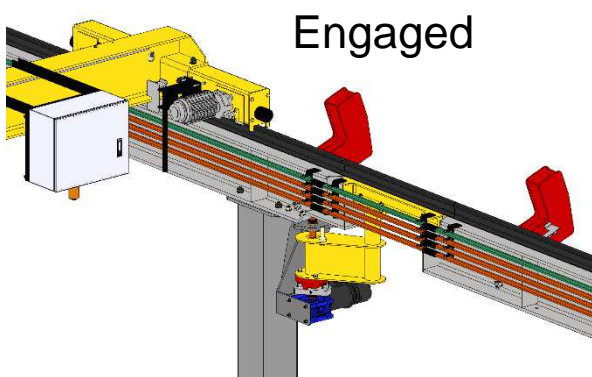
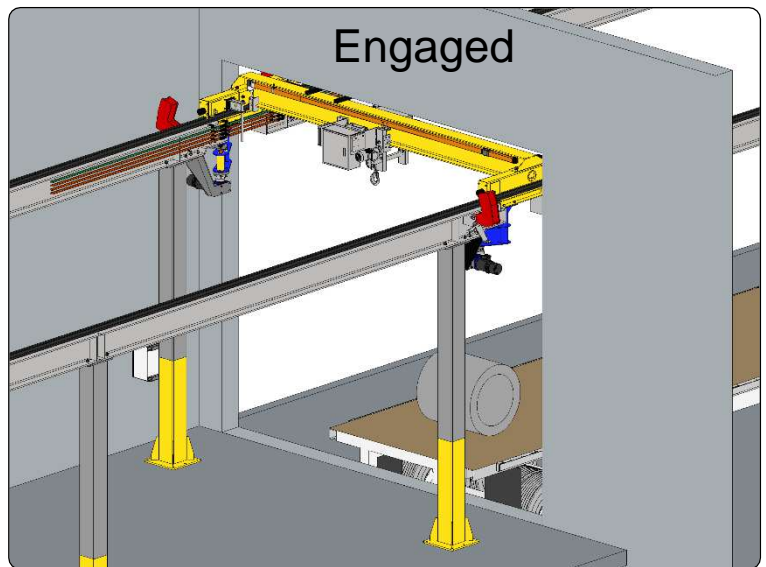
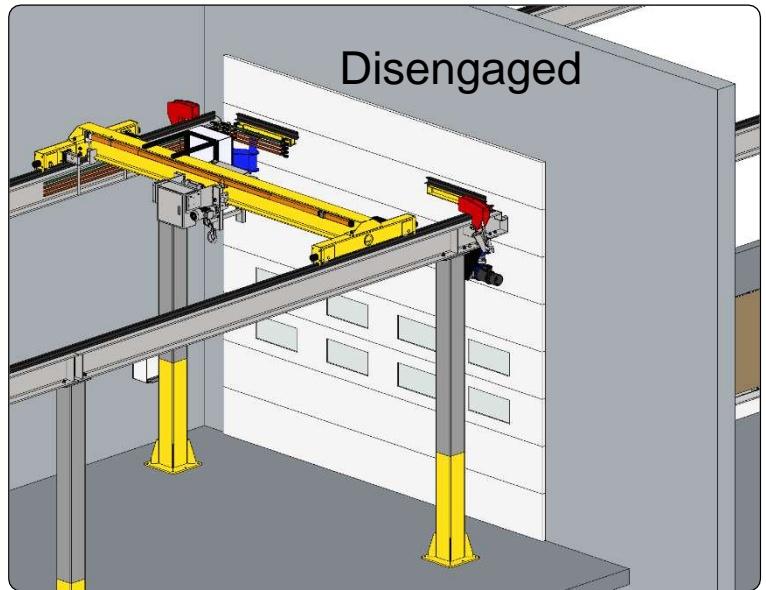
Product Description

- Allows for an overhead door to pass through runway.
- Applications:
 - Indoor – Outdoor crane system
 - Dock flat bed load / unload
 - Paint Booth enclosure
 - Wash Bay enclosure
 - Maximize existing square footage



Product Features

- INMOTION Wireless remote control for interlock position
- 1 Ton – 50 Ton Runway Capacity
- Accommodates any ASCE rail size
- System Voltage: 460v/3ph
- 90deg. Interlock Rotation
- Powered End Stops
- Includes custom control panel with PLC to control all functions of interlock and end stops to ensure safety and compliance.
- Proximity sensors always ensure position of all components.
- Safety: End stops need to fully open or fully close prior to interlock (Unlock / Lock).



Cranes

Mezzanine

Fall Protection

Misc.

Cranes

Mezzanine

Fall Protection

Misc.

Product specifications and dimensions are approximate and for informational purposes only. Variations may occur due to design or manufacturing adjustments. For exact measurements, please confirm with our customer service before ordering. PWI reserves the right to modify specifications without notice.

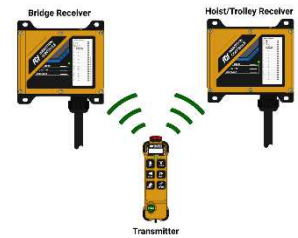


Underhung Crane Interlock



Product Description

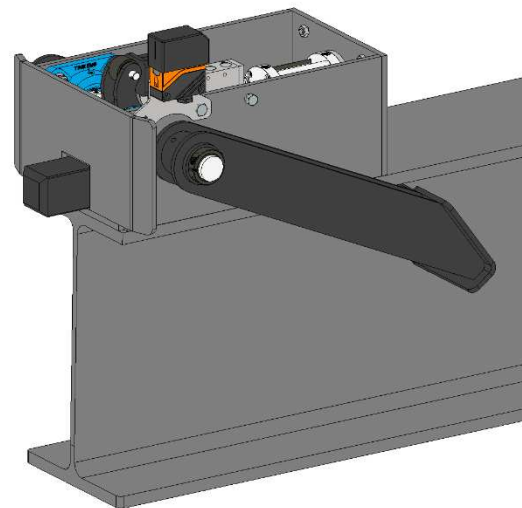
- Underhung Crane Interlock
- Capacity: up to 15 ton



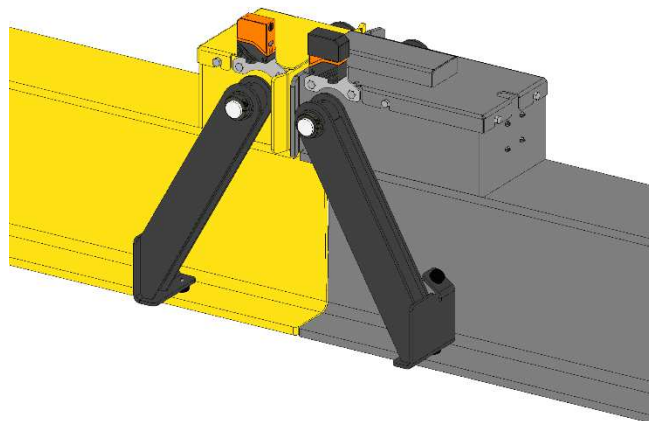
Product Features

- For interlocking a bridge crane to a monorail or transfer zone
- Self-aligning 2" x 2" square locking pin
- Tight clearance required between bridge and monorail
- 1/8" – 1/4" Gap on bottom flange when locked
- Compatible with Starke SCU end trucks
- INMOTION wireless radio controlled
- No subframe required
- Pneumatic cylinder
- Indicator light on bridge will activate when bridge and transfer zone are aligned to activate the interlock locking pin

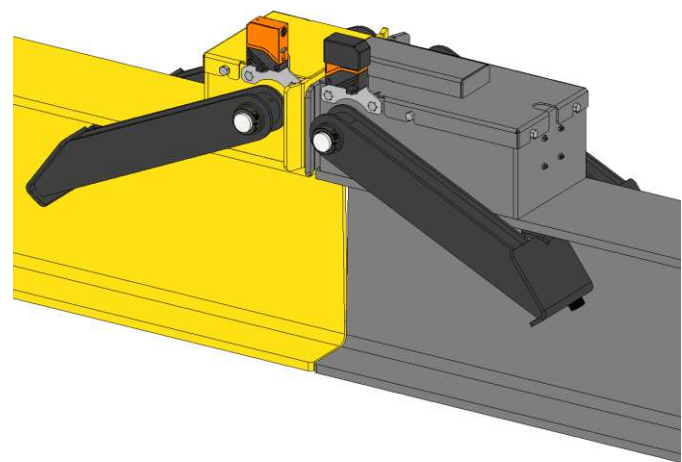
Engaged



Disengaged



Engaged



Product specifications and dimensions are approximate and for informational purposes only. Variations may occur due to design or manufacturing adjustments. For exact measurements, please confirm with our customer service before ordering. PWI reserves the right to modify specifications without notice.



Underhung Crane Interlock



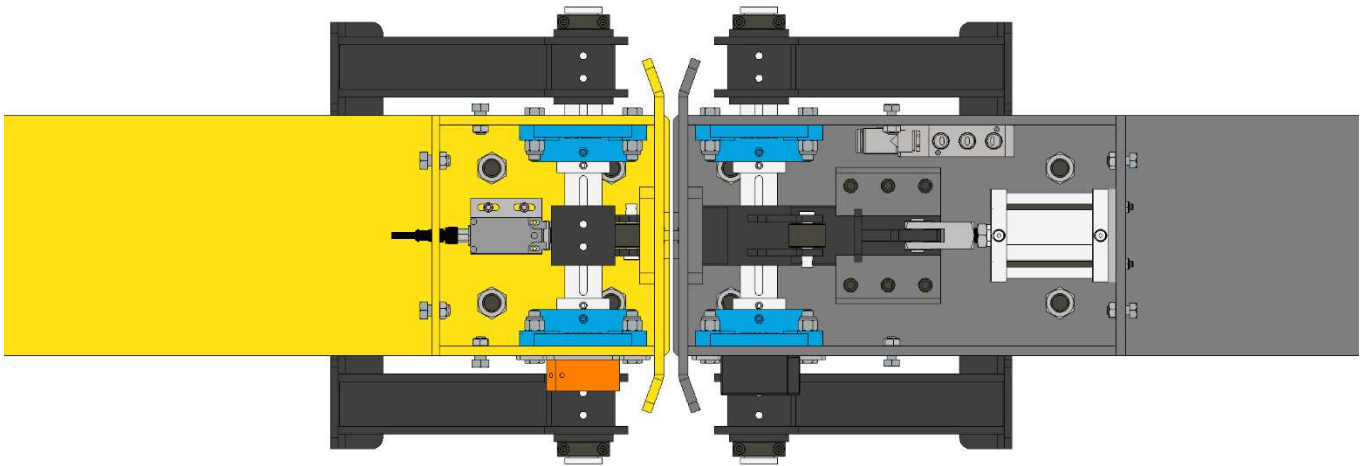
Cranes

Cranes

Mezzanine

Mezzanine

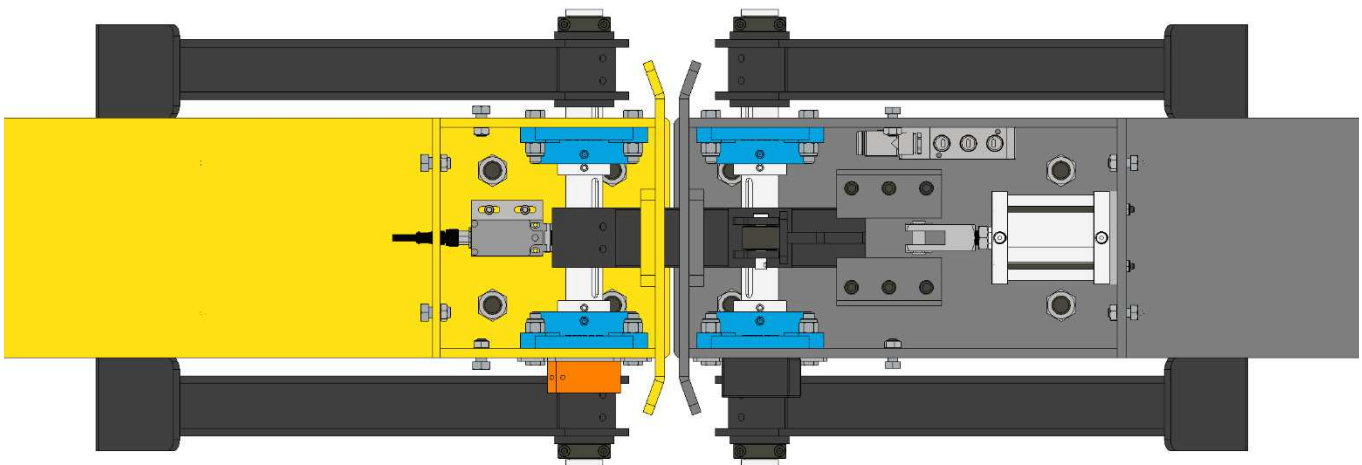
Disengaged



Fall Protection

Fall Protection

Engaged



Misc.

Misc.

Product specifications and dimensions are approximate and for informational purposes only. Variations may occur due to design or manufacturing adjustments. For exact measurements, please confirm with our customer service before ordering. PWI reserves the right to modify specifications without notice.



Underhung Crane Interlock



Cranes

Cranes

Mezzanine

Mezzanine

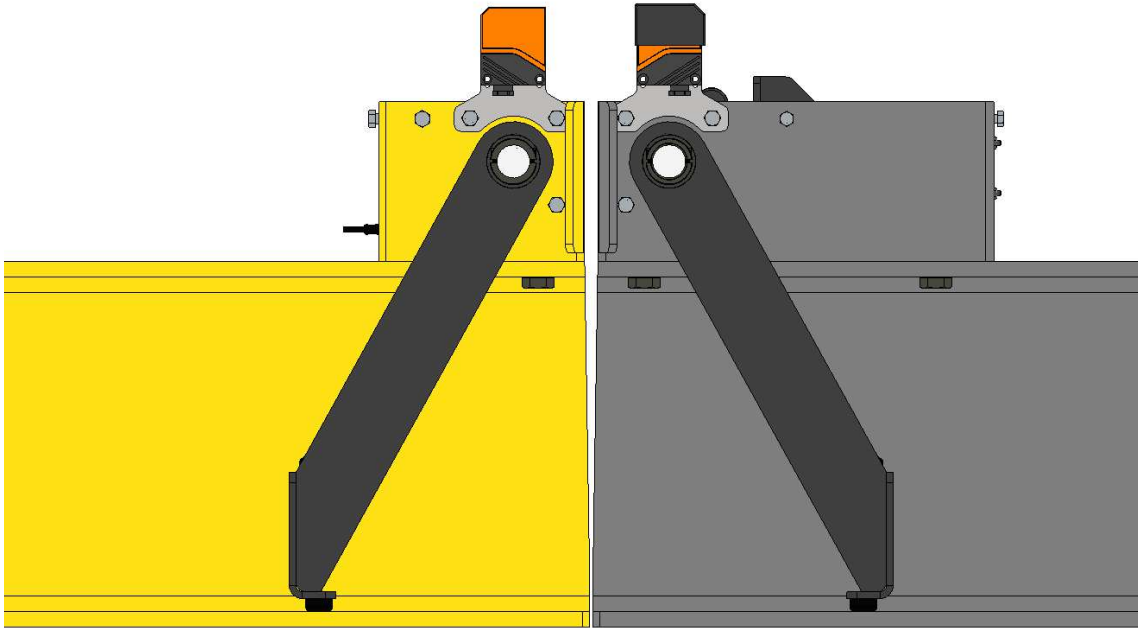
Fall Protection

Fall Protection

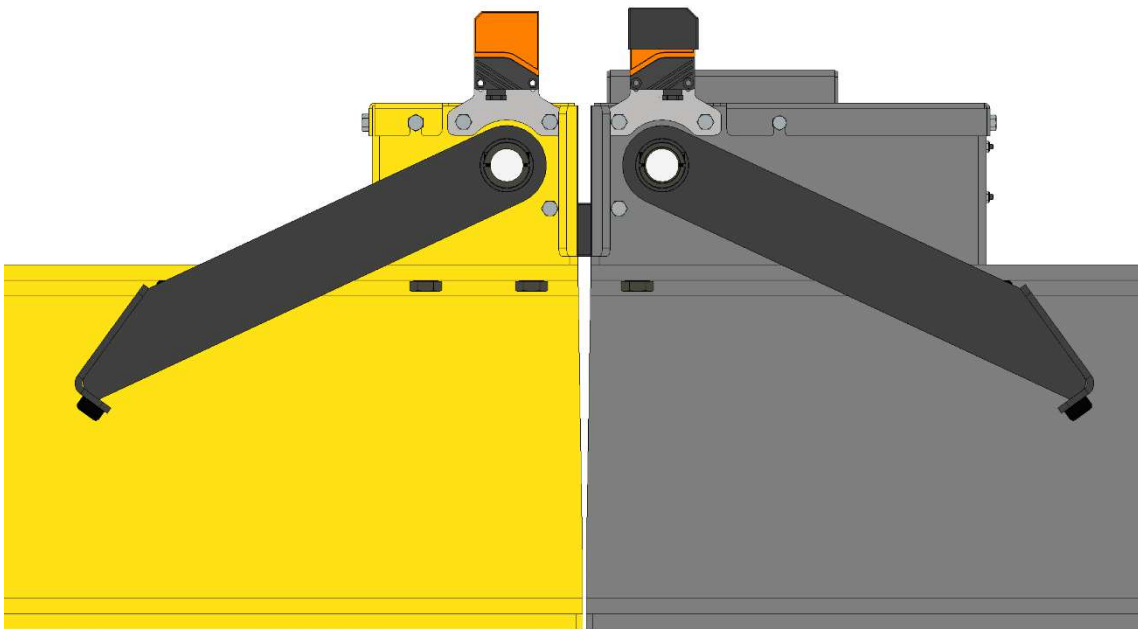
Misc.

Misc.

Disengaged



Engaged



Product specifications and dimensions are approximate and for informational purposes only. Variations may occur due to design or manufacturing adjustments. For exact measurements, please confirm with our customer service before ordering. PWI reserves the right to modify specifications without notice.



BTH Device Index



Cranes

- [X-Axis Positioner](#)
- [Axle Lifter](#)
- [Pneumatic Side Wall Lifter](#)
- [Front Hitch Rotation Unit](#)

Mezzanine

- [Lifting Clamps](#)
- [AC Lifter](#)
- [Beam Frame Lifter](#)
- [Adjustable Floor/Roof Lifter](#)

Fall Protection

- [Side Wall Hook](#)
- [Torque Frame Rotator](#)
- [Motorized BTH Frame Rotator](#)
- [Adjustable Spreader Bar](#)

Misc.

- [Coil Lifter](#)
- [Slideout Lifter](#)

Cranes

Mezzanine

Fall Protection

Misc.

Product specifications and dimensions are approximate and for informational purposes only. Variations may occur due to design or manufacturing adjustments. For exact measurements, please confirm with our customer service before ordering. PWI reserves the right to modify specifications without notice.



X-Axis Positioner

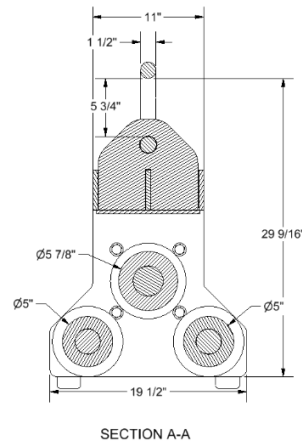
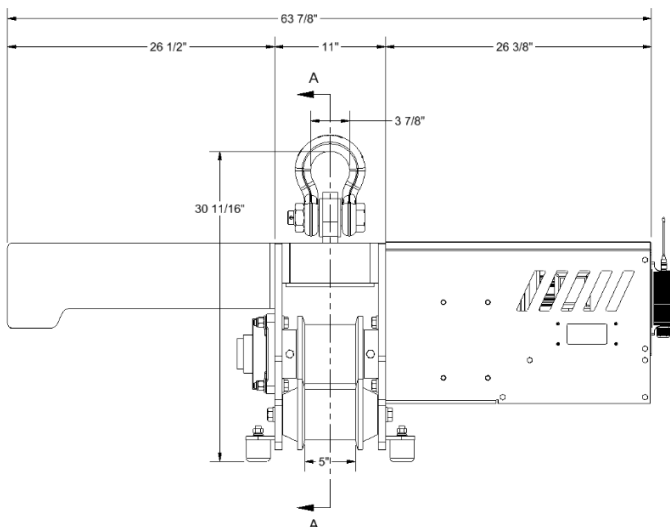
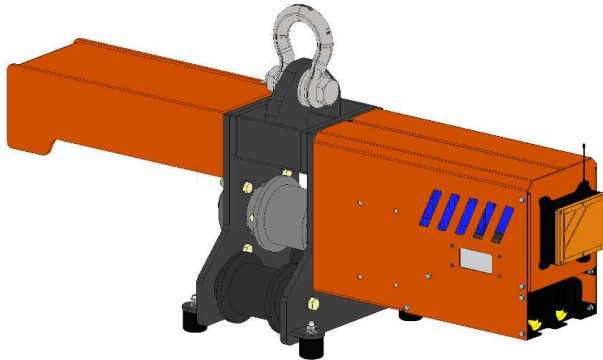
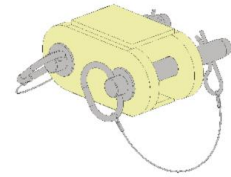


Product Description

- Designed in accordance with ASME B30.2 Below-The-Hook Lifting Devices
- The X-Axis Positioner is a state-of-the-art Below-the-Hook device that safely rotates material without the operator needing to be in harm's way. The utilization of DeWALT batteries makes this device work on any hoist system without having to add any electrical components.

Product Features

- Capacity: 10 Ton (per unit)
- Sold as a pair (2 units)
- X-Axis Positioner Unit Weight: 750 lbs. (per unit)
- Remote Controlled (pair)
- Wireless
- DeWALT Battery Powered
- Variable Speed Rotation Control
- Eliminates shock load on bridge crane



X-AXIS
POSITIONER

Product specifications and dimensions are approximate and for informational purposes only. Variations may occur due to design or manufacturing adjustments. For exact measurements, please confirm with our customer service before ordering. PWI reserves the right to modify specifications without notice.



Cranes

Cranes

Mezzanine

Mezzanine

Fall Protection

Fall Protection

Misc.

Misc.

X-Axis Positioner

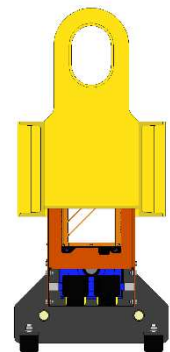
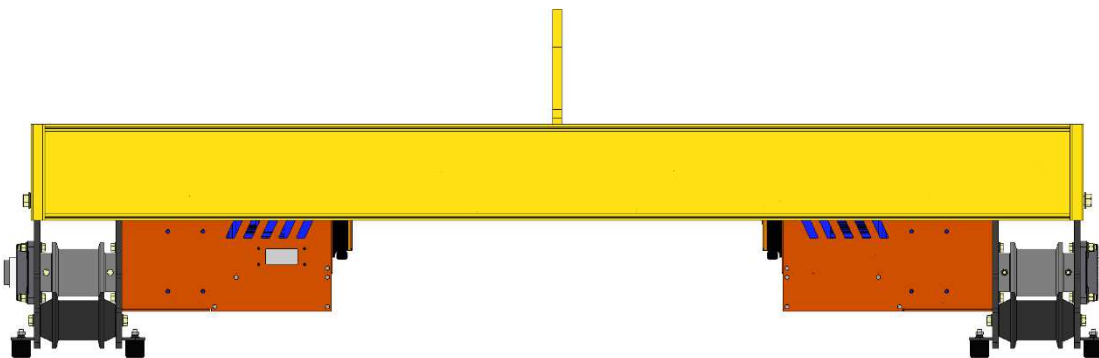
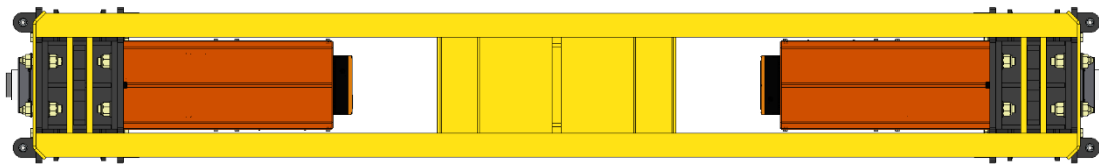
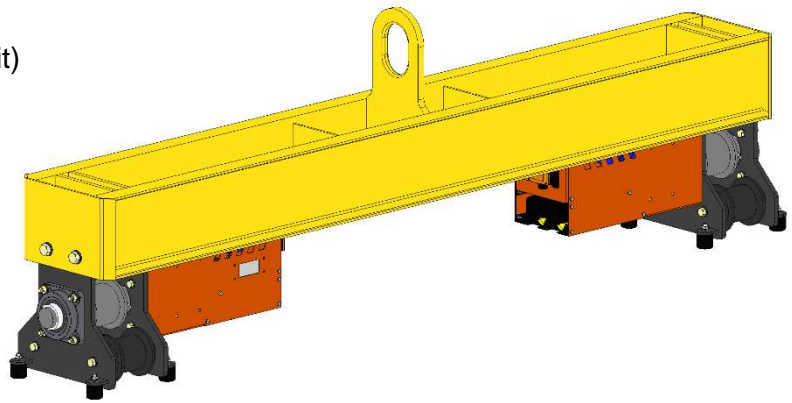


Product Description

- Designed in accordance with ASME B30.2 Below-The-Hook Lifting Devices

Product Features

- Modular Design allows for single unit on one hoist, or tandem unit mounted on spreader bar.
- Remove counterweight from both X-Axis Positioners and attach to spreader bar to lift/rotate from one hoist.
- Capacity: 10 Ton (per unit)
- 20 Ton Capacity Spreader Bar
- X-Axis Positioner Weight: 750 lbs. (per unit)
- 10' Spreader Bar Weight: 975 lbs.



X-AXIS
POSITIONER

Product specifications and dimensions are approximate and for informational purposes only. Variations may occur due to design or manufacturing adjustments. For exact measurements, please confirm with our customer service before ordering. PWI reserves the right to modify specifications without notice.



Cranes

Mezzanine

Fall Protection

Misc.

Cranes

Mezzanine

Fall Protection

Misc.

X-Axis Positioner

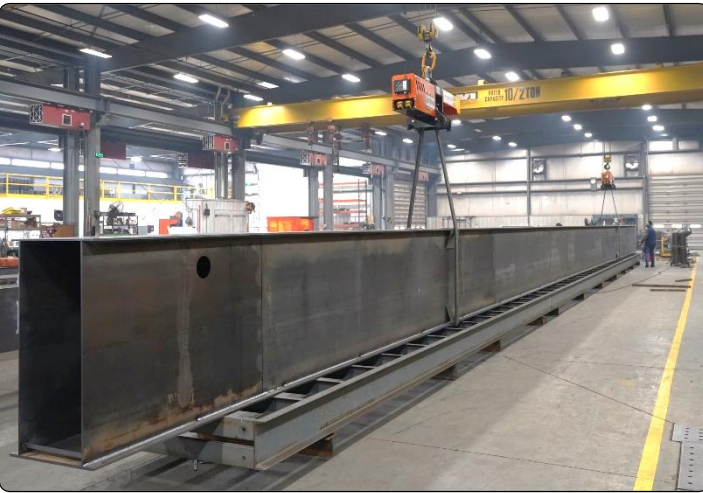


Cranes



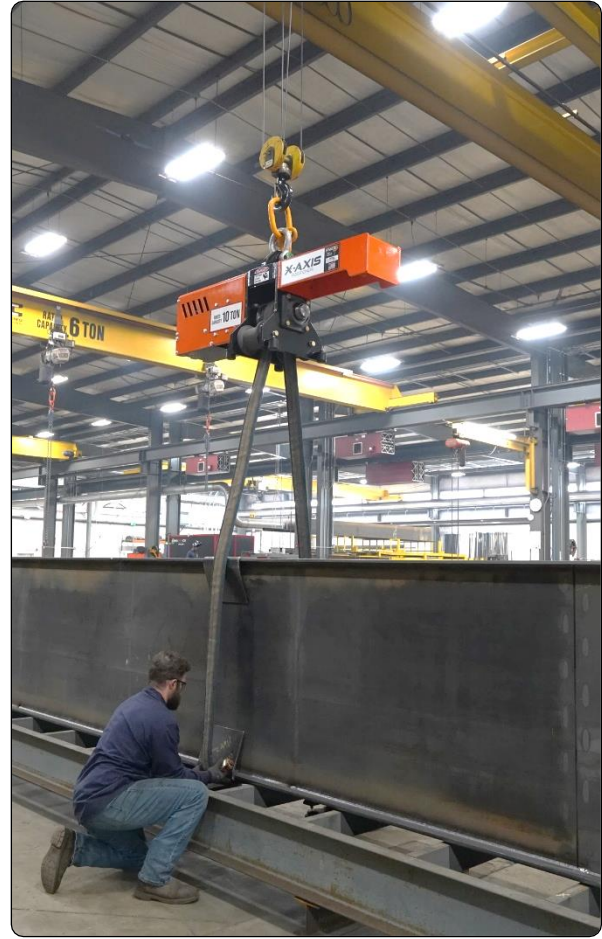
Cranes

Mezzanine



Mezzanine

Fall Protection



Fall Protection

Misc.



Misc.

Product specifications and dimensions are approximate and for informational purposes only. Variations may occur due to design or manufacturing adjustments. For exact measurements, please confirm with our customer service before ordering. PWI reserves the right to modify specifications without notice.



X-Axis Positioner



K PLUS SERIES K202 R FULL VARIABLE RADIO REMOTE CONTROL



THE K202 FULL VARIABLE SYSTEM IS A 1 MOTION, FULL VARIABLE CONTROL SOLUTION FOR A SINGLE FUNCTION CONTROL OR MONORAIL HOIST APPLICATIONS.

- COMPLIES WITH UL 61010-1 AND CSA C22.2
- “QI” WIRELESS CHARGING (TRANSMITTER)
- G-FORCE SHOCK DETECTION WITH DISABLE
- OPERATING VOLTAGE 24 – 240 VAC / 24 – 160 VDC
- NIMH TRANSMITTER BATTERIES INCLUDED
- 900MHZ FCC, IC AND CE COMPLIANT

• IP 65, PA6 NYLON – 30% GLASS FILLED ENCLOSURE

EACH SYSTEM INCLUDES TWO RECEIVING UNITS, ONE TRANSMITTER WITH LEGEND SHEET, BATTERIES, QI CHARGING PAD, LANYARD, MOUNTING HARDWARE AND INSTALLATION INSTRUCTIONS.

ZERO-G SAFETY IS ONLY AVAILABLE WITH THE K PLUS SERIES. THE ZERO-G SAFETY FUNCTION CAN PREVENT THE UNCONTROLLED OUTPUT OF COMMANDS. THE G SENSOR CAN DETECT IF THE TRANSMITTER IS DROPPED OR THROWN. THESE FEATURES CAN DEACTIVATE THE COMPLETE RADIO SYSTEM OR ONLY THE RELEVANT FUNCTIONS.



Single Axle Lifter



Product Description

The Single Axle Lifter give a single operator the ability to lift vehicle or RV axles without the help of a second person. The convenient handle gives the operator the ability to precisely manipulate the axle without being under it.

Designed in accordance with ASME B30.2 Below-The-Hook Lifting Devices.

Product Features

- Rated Capacity: 1,000lb.



Product specifications and dimensions are approximate and for informational purposes only. Variations may occur due to design or manufacturing adjustments. For exact measurements, please confirm with our customer service before ordering. PWI reserves the right to modify specifications without notice.



Cranes

Cranes

Mezzanine

Mezzanine

Fall Protection

Fall Protection

Misc.

Misc.

Double Axle Lifter



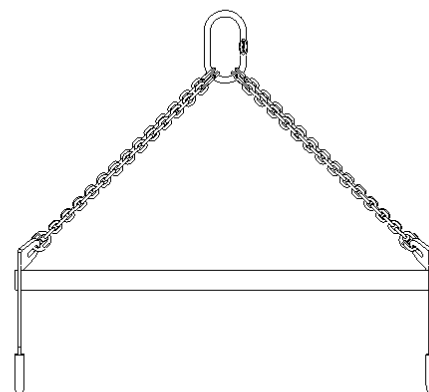
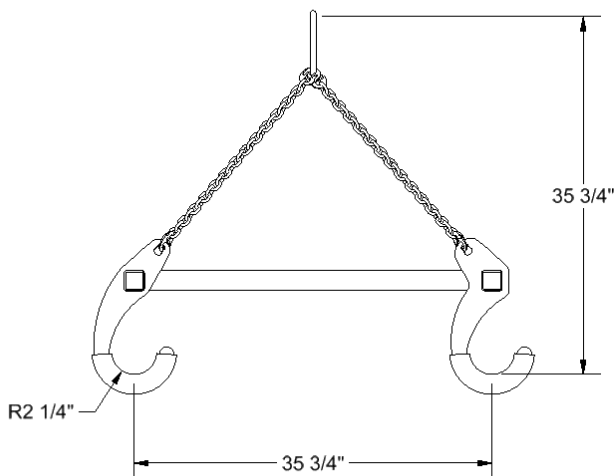
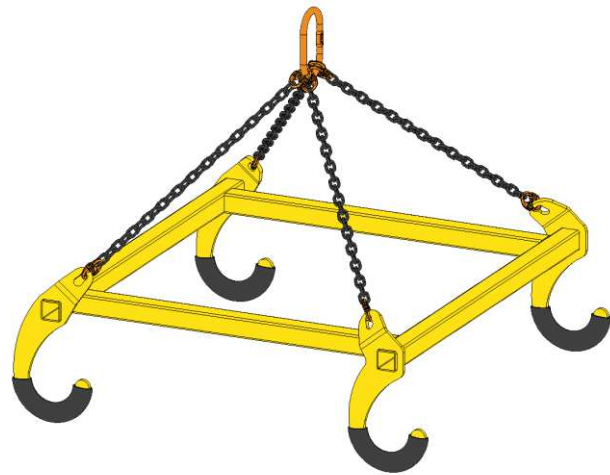
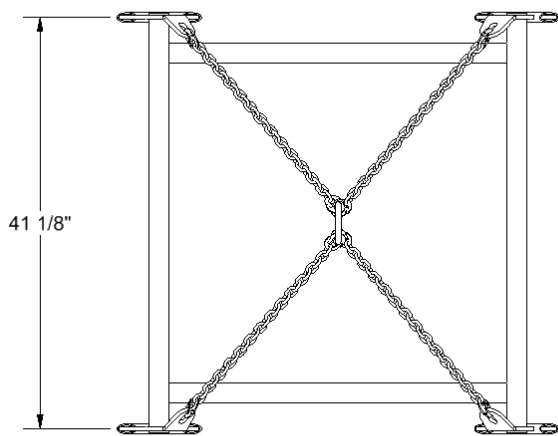
Product Description

The Single Axle Lifter give a single operator the ability to lift 2 vehicle or RV axles without the help of a second person. The convenient handle gives the operator the ability to precisely manipulate the axle without being under it.

Designed in accordance with ASME B30.2 Below-The-Hook Lifting Devices.

Product Features

- Rated Capacity: 1,000lb.



Product specifications and dimensions are approximate and for informational purposes only. Variations may occur due to design or manufacturing adjustments. For exact measurements, please confirm with our customer service before ordering. PWI reserves the right to modify specifications without notice.



Cranes

Cranes

Mezzanine

Mezzanine

Fall Protection

Fall Protection

Misc.

Misc.

Pneumatic Sidewall Lifter



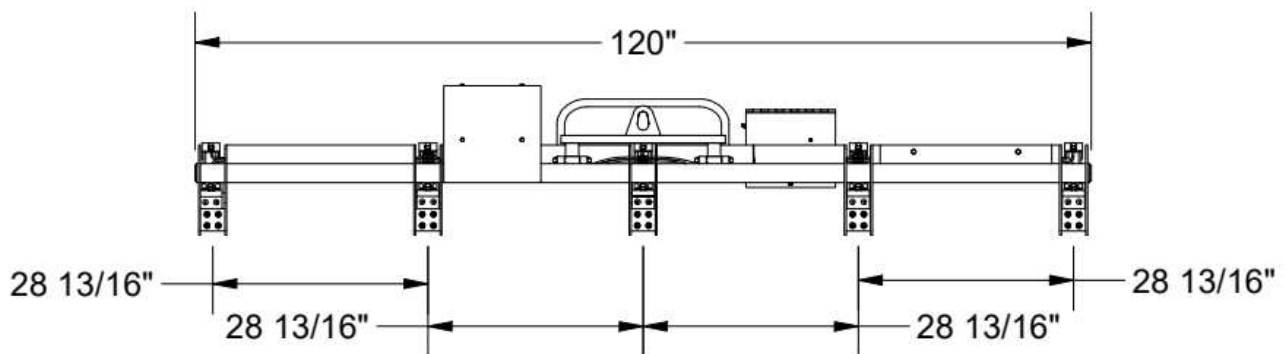
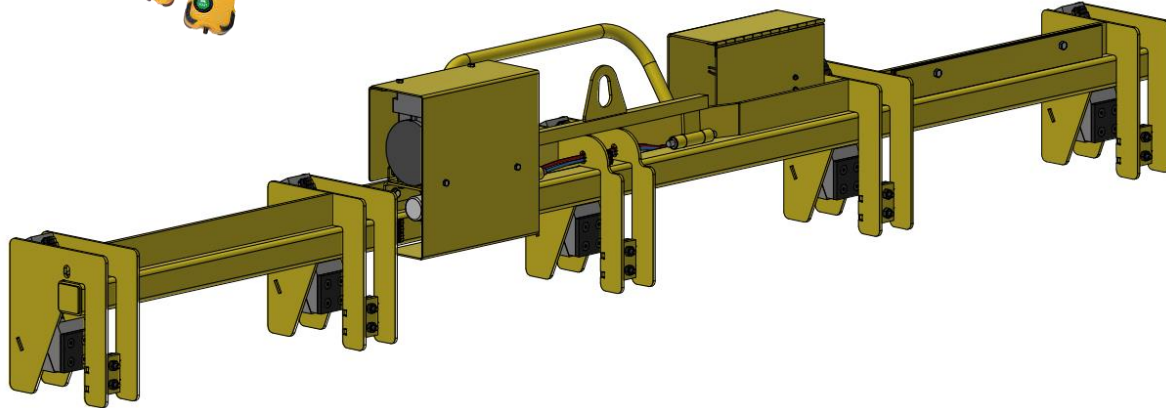
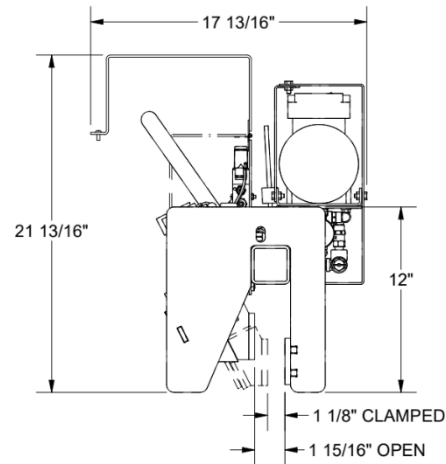
Product Description

The Pneumatic Sidewall Lifting Device is a remote controlled clamping device that allows the operator to engage or disengage with the clamps. This Below-The-Hook lifter can be used to pick a variety of products such as RV Sidewalls, Plywood, Vinyl Sheets, etc...

Designed in accordance with ASME B30.2 Below-The-Hook Lifting Devices

Product Features

- Rated Capacity: Contact your sales rep
- Dual piston air compressor
- Self-contained air system
- Clamps: 3 or 5
- Radio Controlled



Product specifications and dimensions are approximate and for informational purposes only. Variations may occur due to design or manufacturing adjustments. For exact measurements, please confirm with our customer service before ordering. PWI reserves the right to modify specifications without notice.



Front Ball Hitch Rotation Unit



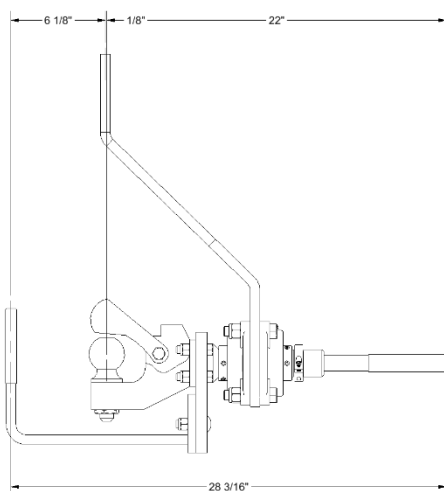
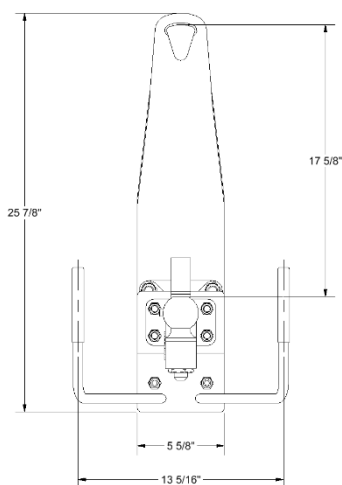
Product Description

The front ball hitch rotation unit is the perfect device to use in tandem with PWI's frame rotator. The integrated ball bearing makes the rotation of any A frame trailer smooth and safe.

Designed in accordance with ASME B30.2 Below-The-Hook Lifting Devices

Product Features

- Rated Capacity:



Product specifications and dimensions are approximate and for informational purposes only. Variations may occur due to design or manufacturing adjustments. For exact measurements, please confirm with our customer service before ordering. PWI reserves the right to modify specifications without notice.



Front Fifth Wheel Rotation Unit



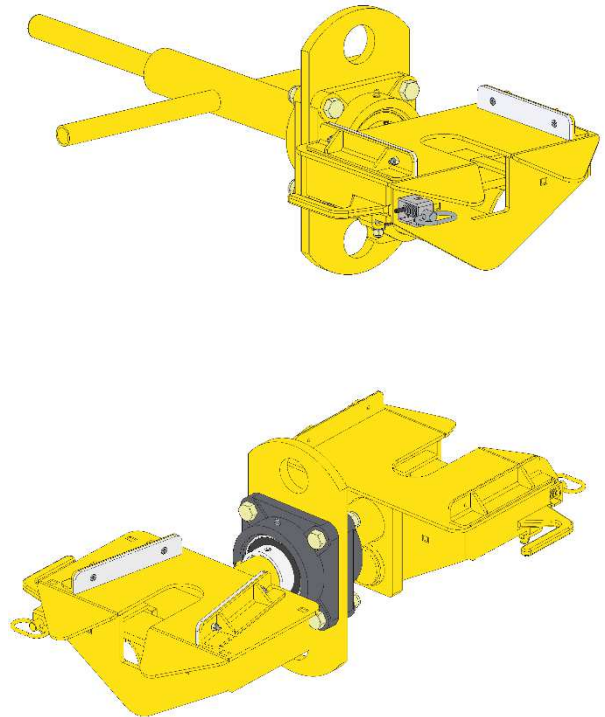
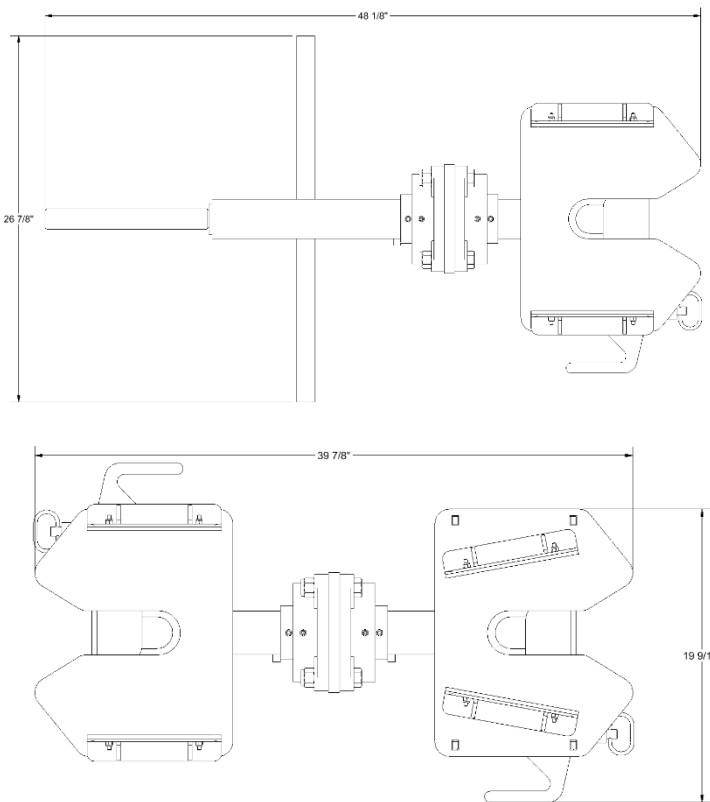
Product Description

The front fifth wheel rotation unit is the perfect device to use in tandem with PWI's frame rotator. The integrated ball bearing makes rotation of even the largest fifth wheel units smoothly and safely.

Designed in accordance with ASME B30.2 Below-The-Hook Lifting Devices

Product Features

- Rated Capacity: 4,000 lb.
- Single and Double Rotators
- Autolocking handle
- Compatible with multiple brands of fifth wheel units



Product specifications and dimensions are approximate and for informational purposes only. Variations may occur due to design or manufacturing adjustments. For exact measurements, please confirm with our customer service before ordering. PWI reserves the right to modify specifications without notice.



Cranes

Mezzanine

Fall Protection

Misc.

Cranes

Mezzanine

Fall Protection

Misc.

Sliding RV Frame Lifting Clamp



Product Description

Designed in accordance with ASME B30.2 Below-The-Hook Lifting Devices

Product Features

- Rated Capacity: 2,000lb.
- 74" Min. / 90" Max Frame Width

Cranes

Cranes

Mezzanine

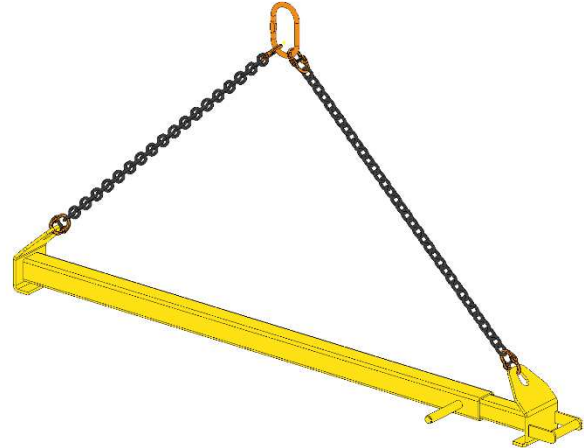
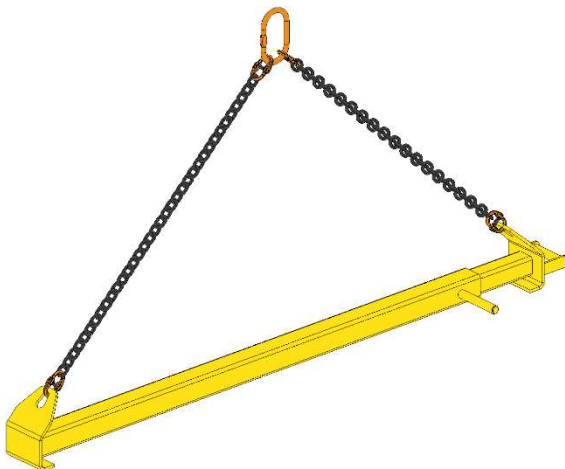
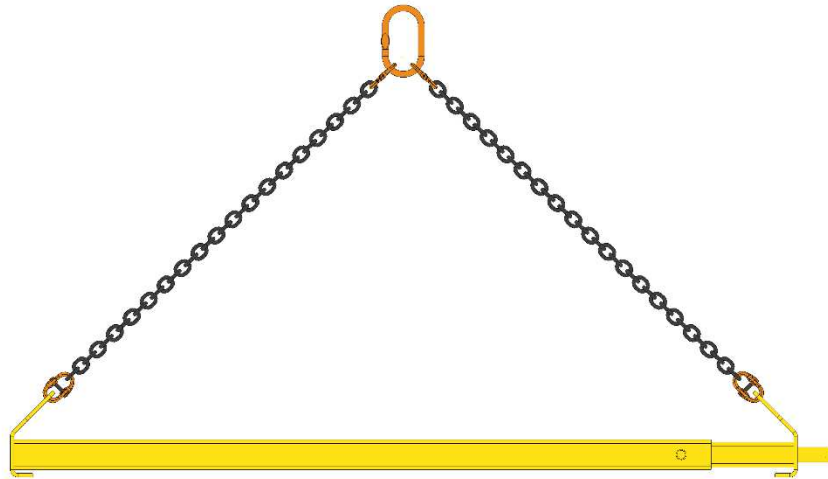
Mezzanine

Fall Protection

Fall Protection

Misc.

Misc.



Product specifications and dimensions are approximate and for informational purposes only. Variations may occur due to design or manufacturing adjustments. For exact measurements, please confirm with our customer service before ordering. PWI reserves the right to modify specifications without notice.



Big Board Lifter



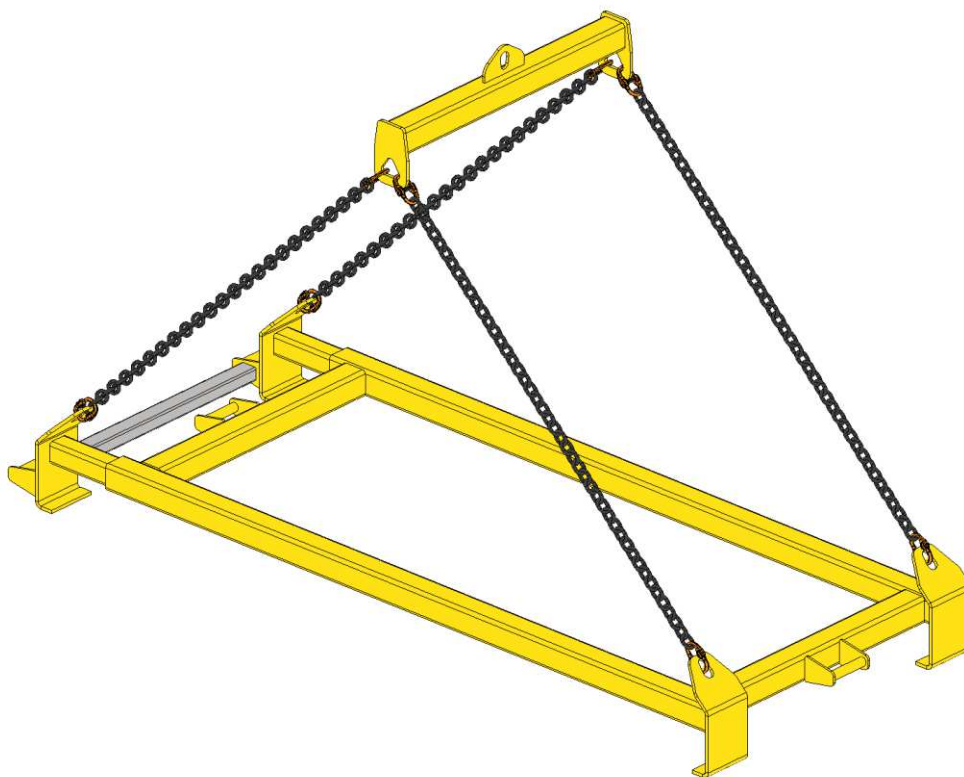
Product Description

Designed in accordance with ASME B30.2 Below-The-Hook Lifting Devices

- Board Lifter

Product Features

- Rated Capacity: Contact your sales rep



Cranes

Mezzanine

Fall Protection

Misc.

Cranes

Mezzanine

Fall Protection

Misc.

Product specifications and dimensions are approximate and for informational purposes only. Variations may occur due to design or manufacturing adjustments. For exact measurements, please confirm with our customer service before ordering. PWI reserves the right to modify specifications without notice.



AC Lifter



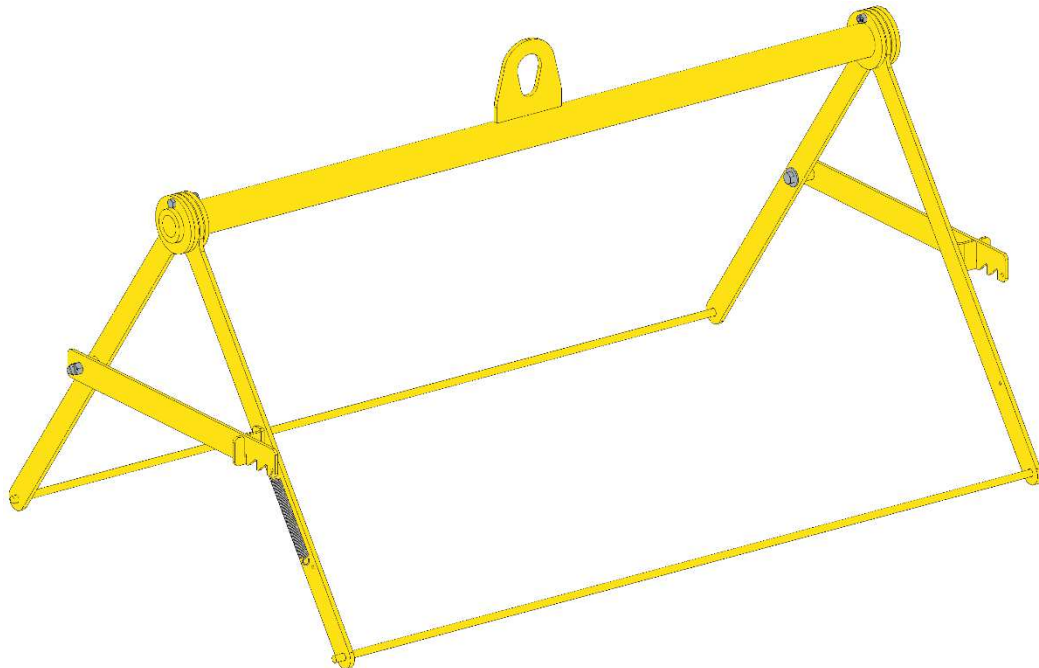
Product Description

Designed in accordance with ASME B30.2 Below-The-Hook Lifting Devices

- AC Unit Lifting Device

Product Features

- Rated Capacity: 300 lb.
- Self-closing scissor design
- Spring tensioned lock arm



Cranes

Mezzanine

Fall Protection

Misc.

Cranes

Mezzanine

Fall Protection

Misc.

Product specifications and dimensions are approximate and for informational purposes only. Variations may occur due to design or manufacturing adjustments. For exact measurements, please confirm with our customer service before ordering. PWI reserves the right to modify specifications without notice.



Beam Frame Lifter



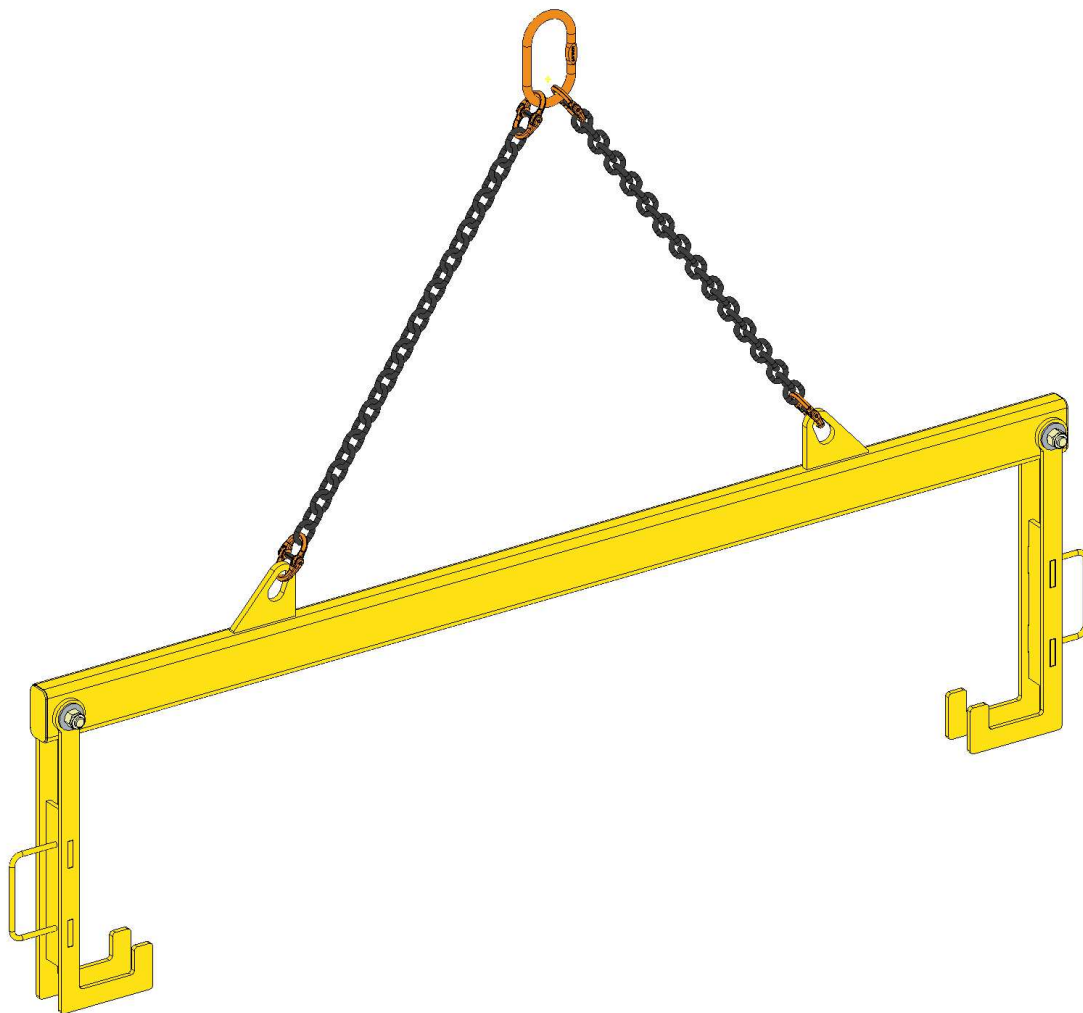
Product Description

Designed in accordance with ASME B30.2 Below-The-Hook Lifting Devices

- Frame Lifter

Product Features

- Rated Capacity: 4,000lb.
- Customizable Length



Cranes

Mezzanine

Fall Protection

Misc.

Cranes

Mezzanine

Fall Protection

Misc.

Product specifications and dimensions are approximate and for informational purposes only. Variations may occur due to design or manufacturing adjustments. For exact measurements, please confirm with our customer service before ordering. PWI reserves the right to modify specifications without notice.



Adjustable Floor/Roof Lifter



Product Description

Designed in accordance with ASME B30.2 Below-The-Hook Lifting Devices

- Floor/Roof Lifting Device

Product Features

- Rated Capacity: Contact your sales rep
- Adjustable Length

Cranes

Cranes

Mezzanine

Mezzanine

Retracted

Extended

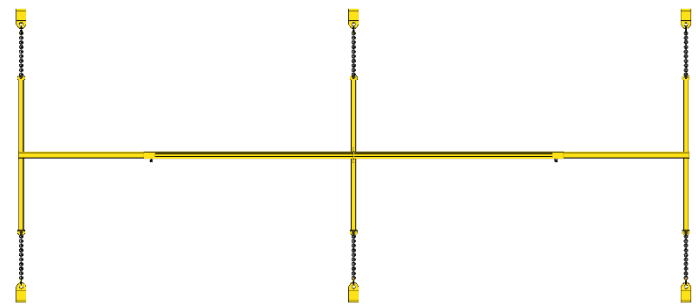
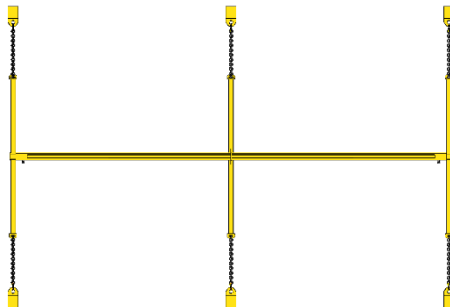


Fall Protection

Fall Protection

Misc.

Misc.



Product specifications and dimensions are approximate and for informational purposes only. Variations may occur due to design or manufacturing adjustments. For exact measurements, please confirm with our customer service before ordering. PWI reserves the right to modify specifications without notice.



Roof Lifter



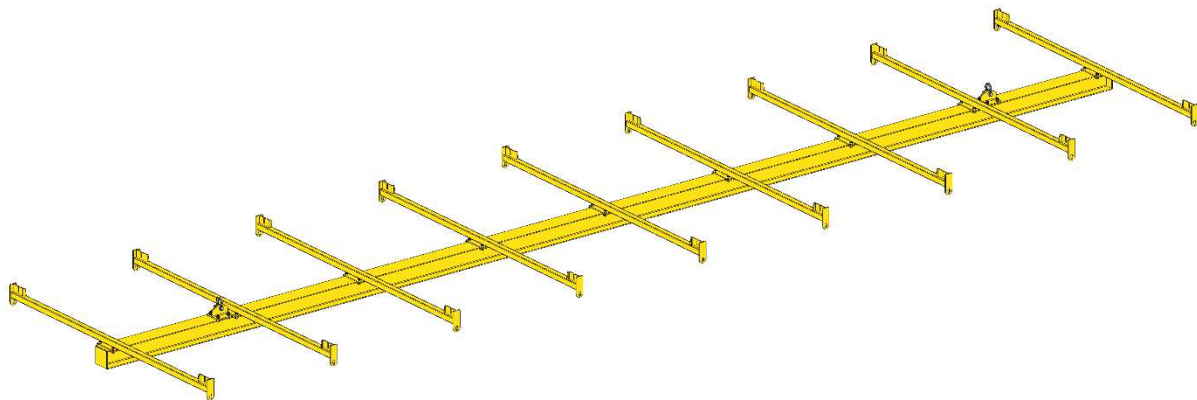
Product Description

Designed in accordance with ASME B30.2 Below-The-Hook Lifting Devices

- Beam and Arm Roof Lifter

Product Features

- Rated Capacity: contact your sales rep
- For low headroom applications



Cranes

Cranes

Mezzanine

Mezzanine

Fall Protection

Fall Protection

Misc.

Misc.

Product specifications and dimensions are approximate and for informational purposes only. Variations may occur due to design or manufacturing adjustments. For exact measurements, please confirm with our customer service before ordering. PWI reserves the right to modify specifications without notice.



Roof Lifter



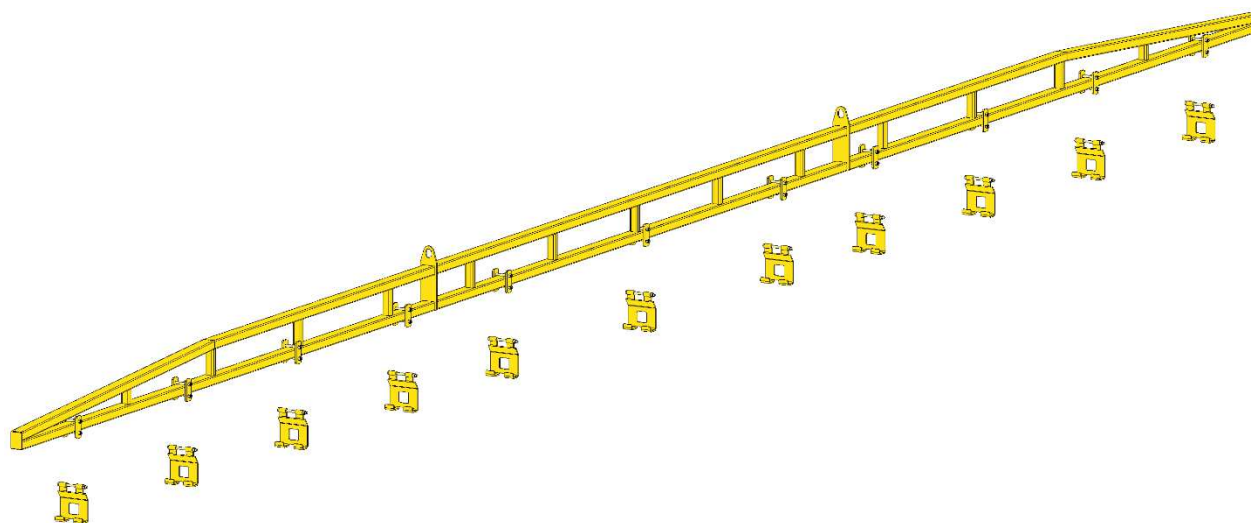
Product Description

Designed in accordance with ASME B30.2 Below-The-Hook Lifting Devices

- Center Roof Lifter

Product Features

- Rated Capacity: ???lb.
- Customizable length
- Polyester sling supported hooks
- Adjustable hook placement



Cranes

Cranes

Mezzanine

Mezzanine

Fall Protection

Fall Protection

Misc.

Misc.

Product specifications and dimensions are approximate and for informational purposes only. Variations may occur due to design or manufacturing adjustments. For exact measurements, please confirm with our customer service before ordering. PWI reserves the right to modify specifications without notice.



Roof Lifter



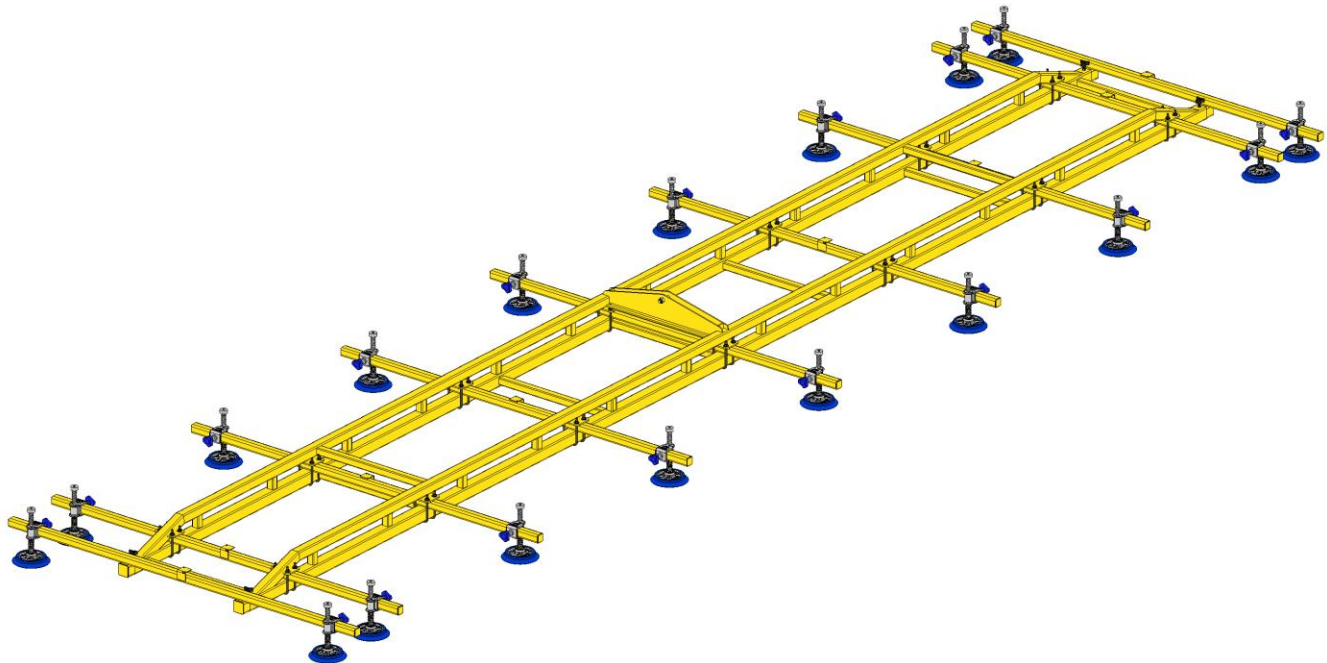
Product Description

Designed in accordance with ASME B30.2 Below-The-Hook Lifting Devices

- Roof Vacuum Lifter

Product Features

- Rated Capacity: ???lb.
- Customizable design for individual applications
- Adjustable arm and cup placement



Cranes

Cranes

Mezzanine

Mezzanine

Fall Protection

Fall Protection

Misc.

Misc.

Product specifications and dimensions are approximate and for informational purposes only. Variations may occur due to design or manufacturing adjustments. For exact measurements, please confirm with our customer service before ordering. PWI reserves the right to modify specifications without notice.



Side Wall Hook



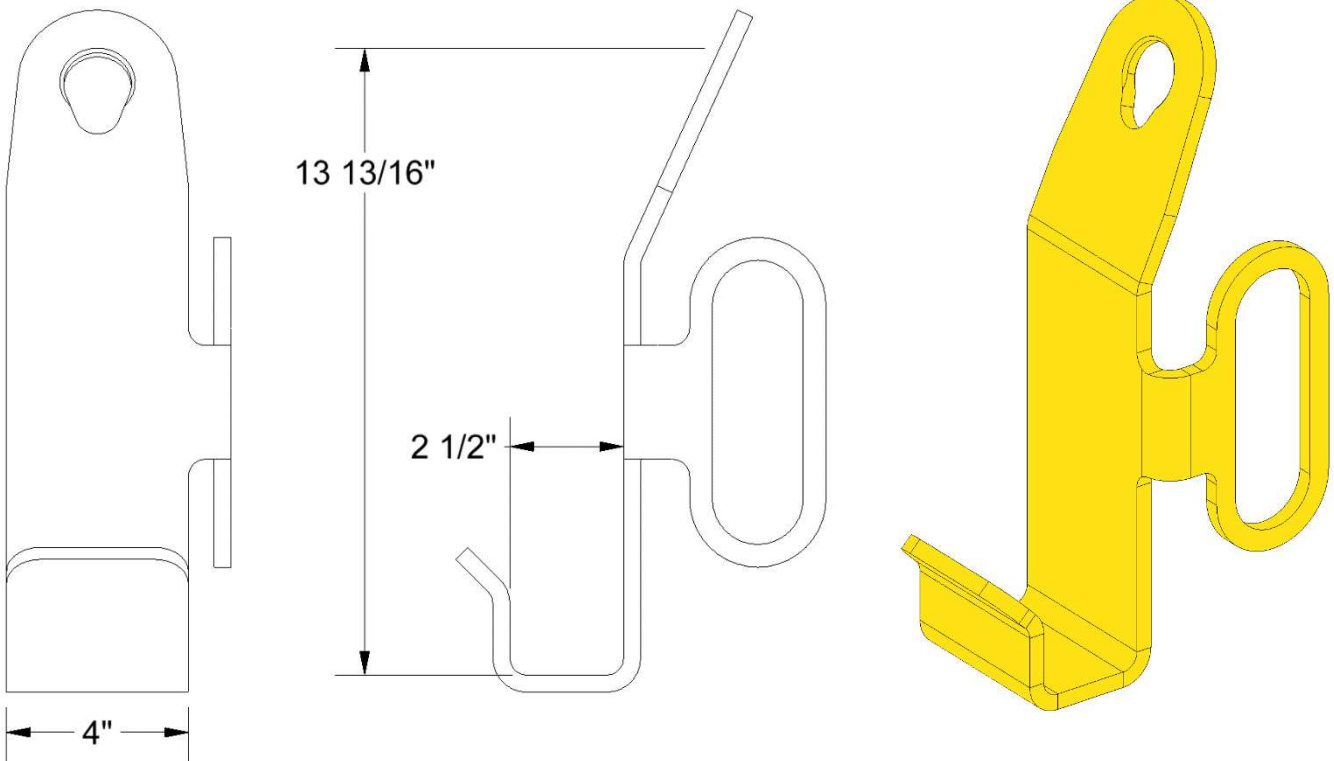
Product Description

Designed in accordance with ASME B30.2 Below-The-Hook Lifting Devices

- Side Wall Hooks

Product Features

- Part Number: SH-15-1000
- Rated Capacity: 1,000lb.



- Part Number: SH-15-1000
- 1,000lb. Lifting Capacity

Product specifications and dimensions are approximate and for informational purposes only. Variations may occur due to design or manufacturing adjustments. For exact measurements, please confirm with our customer service before ordering. PWI reserves the right to modify specifications without notice.



Cranes

Mezzanine

Fall Protection

Misc.

Cranes

Mezzanine

Fall Protection

Misc.

Side Wall Hook



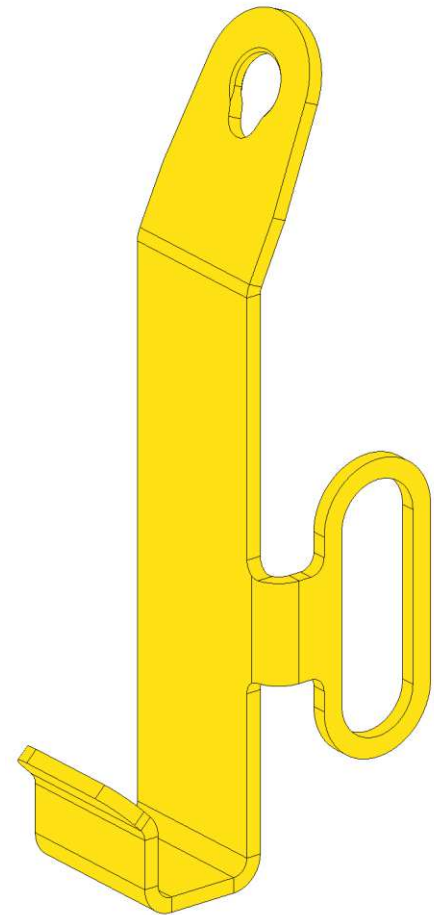
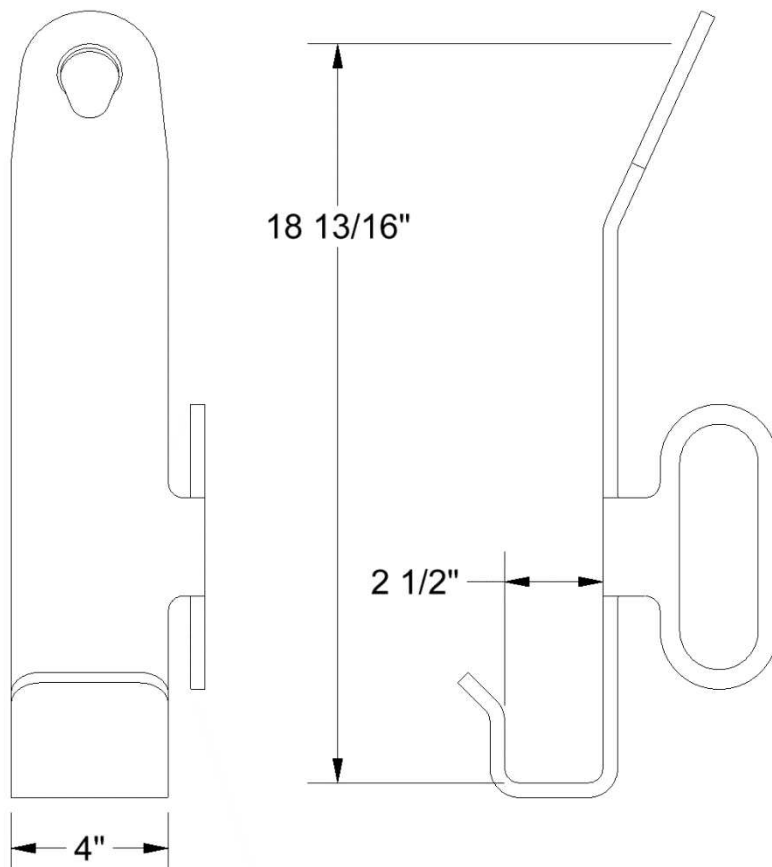
Product Description

Designed in accordance with ASME B30.2 Below-The-Hook Lifting Devices

- Side Wall Hooks

Product Features

- Part Number: SH-20-1000
- Rated Capacity: 1,000lb.



Cranes

Mezzanine

Fall Protection

Misc.

Cranes

Mezzanine

Fall Protection

Misc.

Product specifications and dimensions are approximate and for informational purposes only. Variations may occur due to design or manufacturing adjustments. For exact measurements, please confirm with our customer service before ordering. PWI reserves the right to modify specifications without notice.



Side Wall Hook



Product Description

Designed in accordance with ASME B30.2 Below-The-Hook Lifting Devices

- Side Wall Hooks

Product Features

- Part Number: SH-33-1000
- Rated Capacity: 750lb.

Cranes

Mezzanine

Fall Protection

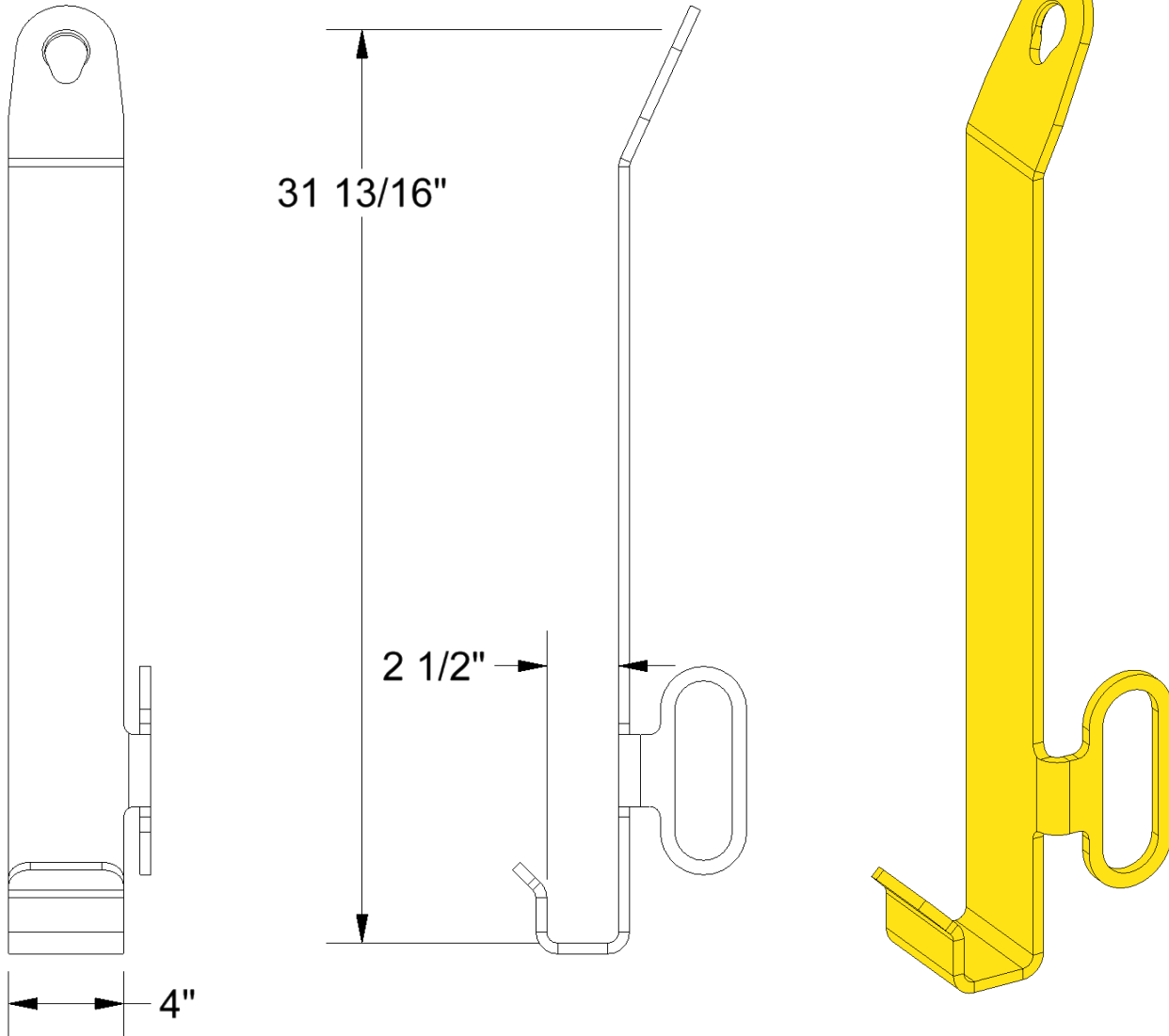
Misc.

Cranes

Mezzanine

Fall Protection

Misc.



Product specifications and dimensions are approximate and for informational purposes only. Variations may occur due to design or manufacturing adjustments. For exact measurements, please confirm with our customer service before ordering. PWI reserves the right to modify specifications without notice.



Torque Frame Rotator



Product Description

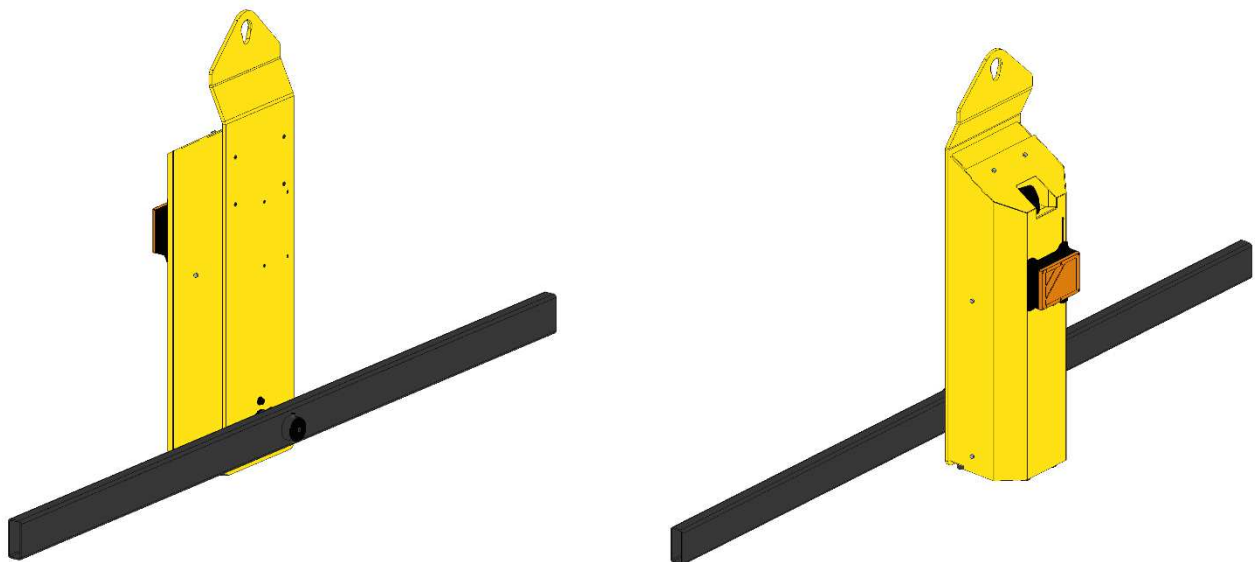
Designed in accordance with ASME B30.2 Below-The-Hook Lifting Devices

- Frame Rotator



Product Features

- Model Number: FRC2110
- Lifting and Rotating Capacity: 4,000 lbs.
- 110" Wide spreader bar
- Includes HD Electric Gear DC Motor
- Operates on rechargeable batteries (DeWALT FLEXVOLT 20/60 MAX DCB609)
- Includes Trailer Frame Bumper Coupler to Match your frame design
- InMotion (full variable) radio remote controls (Rotate LH & RH)
- Includes battery charger base



Product specifications and dimensions are approximate and for informational purposes only. Variations may occur due to design or manufacturing adjustments. For exact measurements, please confirm with our customer service before ordering. PWI reserves the right to modify specifications without notice.



Cranes

Mezzanine

Fall Protection

Misc.

Cranes

Mezzanine

Fall Protection

Misc.

Motorized BTH Frame Rotator



Cranes

Cranes

Mezzanine

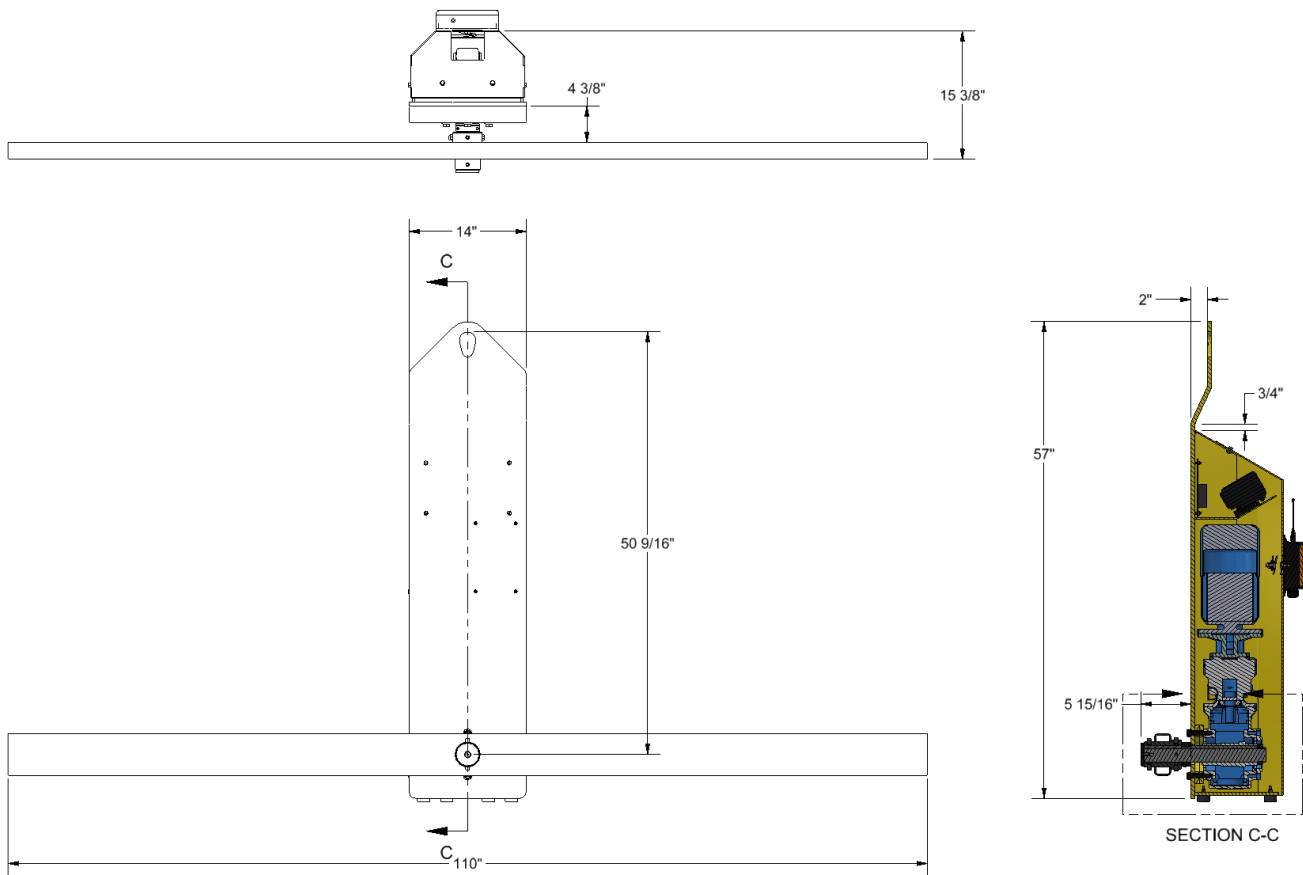
Mezzanine

Fall Protection

Fall Protection

Misc.

Misc.



Product specifications and dimensions are approximate and for informational purposes only. Variations may occur due to design or manufacturing adjustments. For exact measurements, please confirm with our customer service before ordering. PWI reserves the right to modify specifications without notice.



Motorized BTH Frame Rotator



Cranes

Mezzanine

Fall Protection

Misc.

Cranes

Mezzanine

Fall Protection

Misc.

Product specifications and dimensions are approximate and for informational purposes only. Variations may occur due to design or manufacturing adjustments. For exact measurements, please confirm with our customer service before ordering. PWI reserves the right to modify specifications without notice.



Motorized BTH Frame Rotator



Cranes

Cranes

Mezzanine

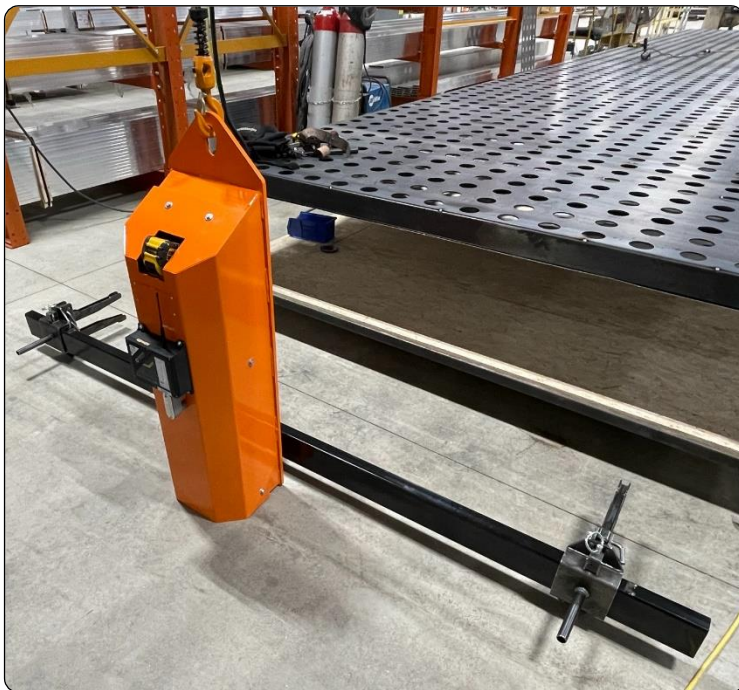
Mezzanine

Fall Protection

Fall Protection

Misc.

Misc.



Product specifications and dimensions are approximate and for informational purposes only. Variations may occur due to design or manufacturing adjustments. For exact measurements, please confirm with our customer service before ordering. PWI reserves the right to modify specifications without notice.



Motorized BTH Frame Rotator



Cranes

Mezzanine

Fall Protection

Misc.

Cranes

Mezzanine

Fall Protection

Misc.



Product specifications and dimensions are approximate and for informational purposes only. Variations may occur due to design or manufacturing adjustments. For exact measurements, please confirm with our customer service before ordering. PWI reserves the right to modify specifications without notice.



Adjustable Spreader Bar



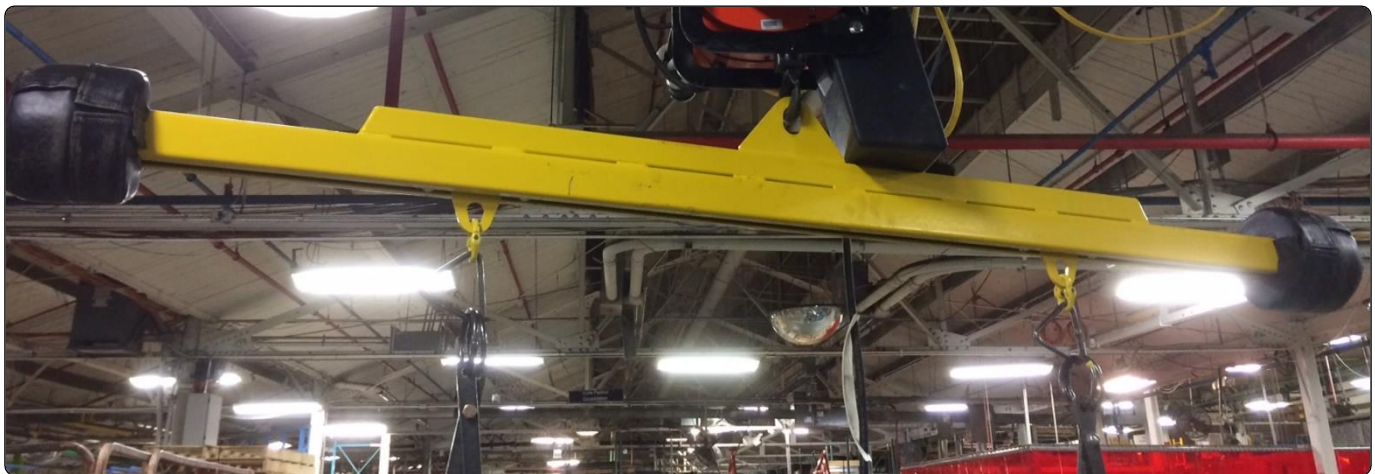
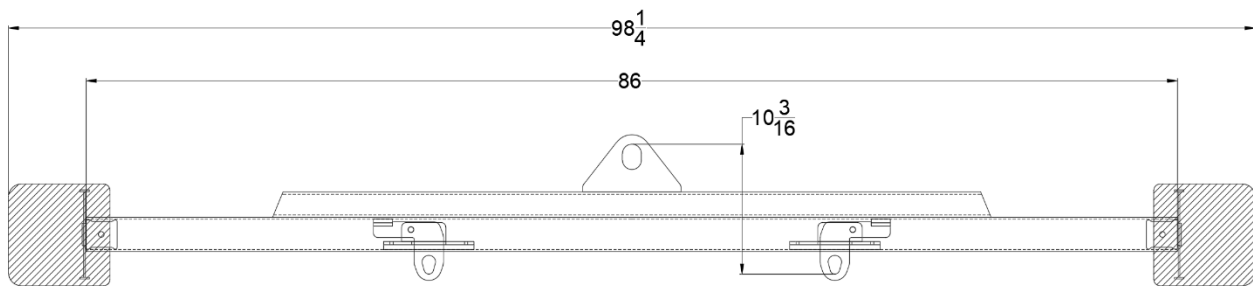
Product Description

Designed in accordance with ASME B30.2 Below-The-Hook Lifting Devices

- Spreader Bar

Product Features

- Part Number:
- Rated Capacity: 500lb.
- Foam End Protection
- Clamping lift points to allow quick hook placement and ensure stability during use.



Product specifications and dimensions are approximate and for informational purposes only. Variations may occur due to design or manufacturing adjustments. For exact measurements, please confirm with our customer service before ordering. PWI reserves the right to modify specifications without notice.



Coil Lifter



Product Description

Designed in accordance with ASME B30.2 Below-The-Hook Lifting Devices

- Coil Lifting Device

Product Features

- Rated Capacity: Contact your sales rep

Cranes

Cranes

Mezzanine

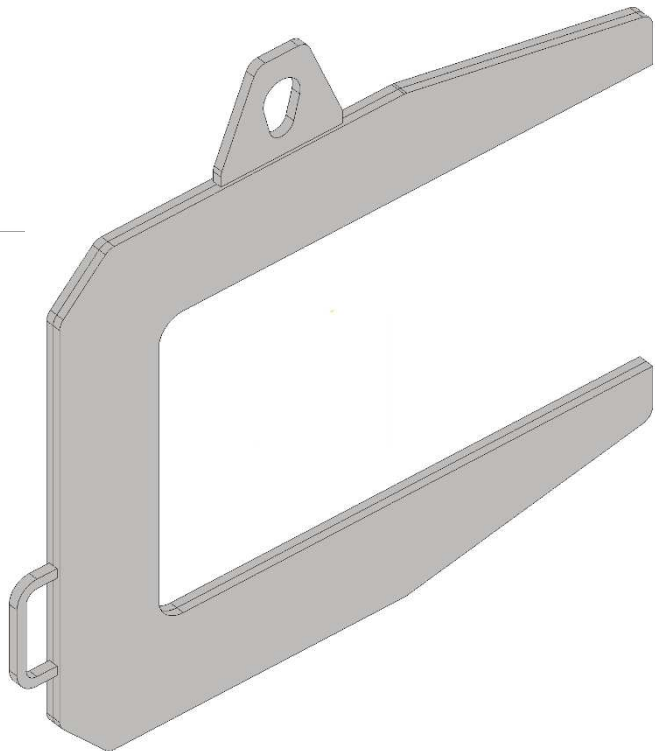
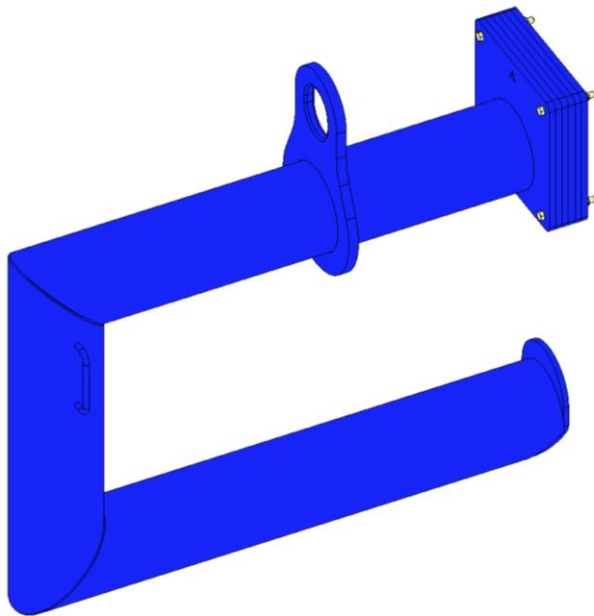
Mezzanine

Fall Protection

Fall Protection

Misc.

Misc.



Product specifications and dimensions are approximate and for informational purposes only. Variations may occur due to design or manufacturing adjustments. For exact measurements, please confirm with our customer service before ordering. PWI reserves the right to modify specifications without notice.



LD Slideout Lifter



Product Description

Designed in accordance with ASME B30.2 Below-The-Hook Lifting Devices

- Slide Out Module Lifting Device

Product Features

- Rated Capacity: 400 lbs.
- Vertical Clamping Design
- One hoist required

Cranes

Cranes

Mezzanine

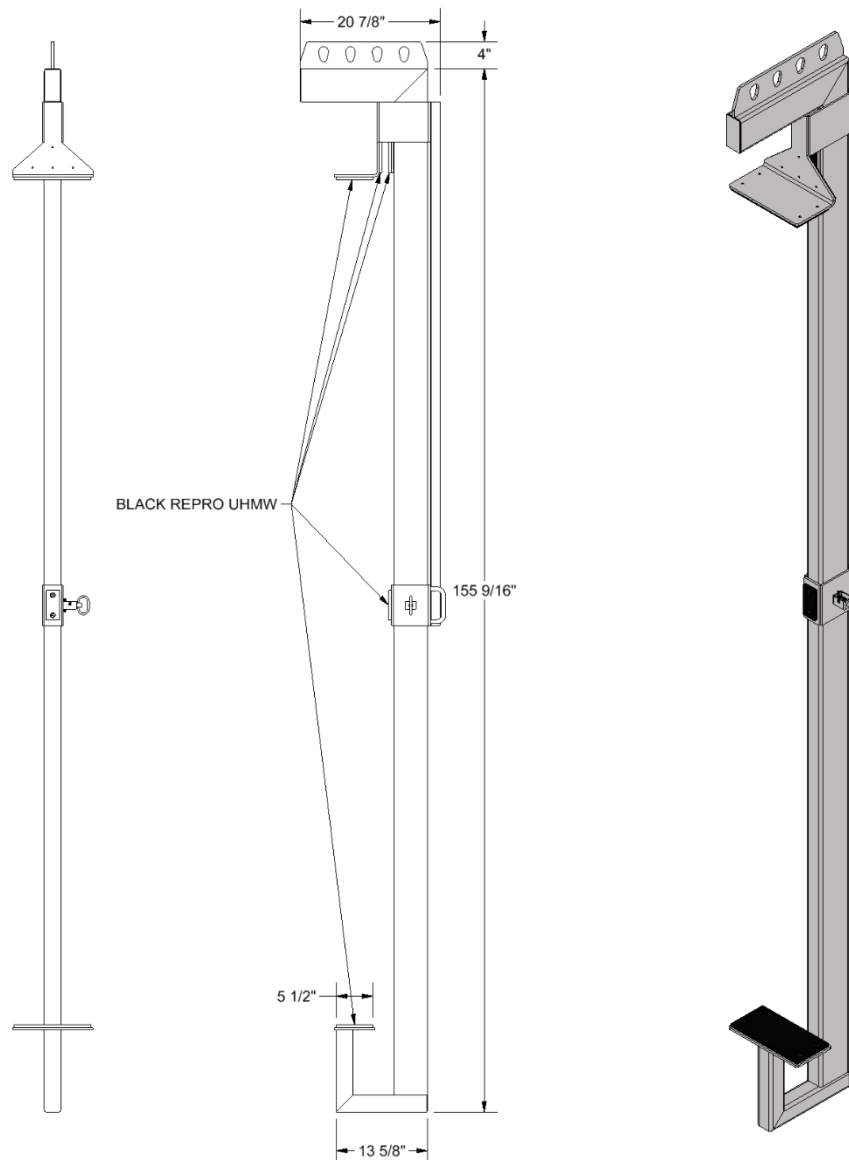
Mezzanine

Fall Protection

Fall Protection

Misc.

Misc.



Product specifications and dimensions are approximate and for informational purposes only. Variations may occur due to design or manufacturing adjustments. For exact measurements, please confirm with our customer service before ordering. PWI reserves the right to modify specifications without notice.



HD Slideout Out Lifter

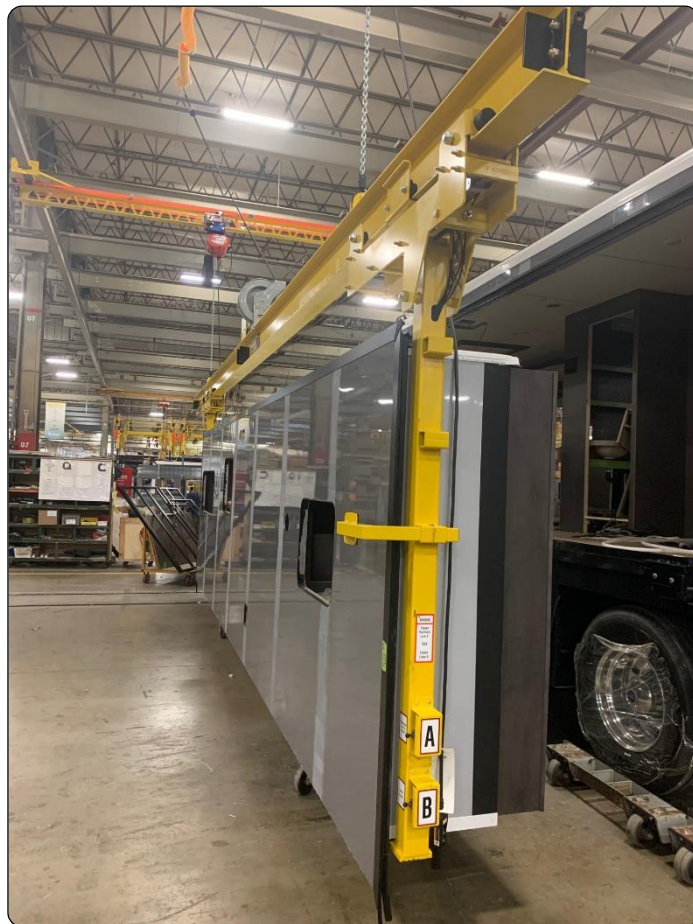
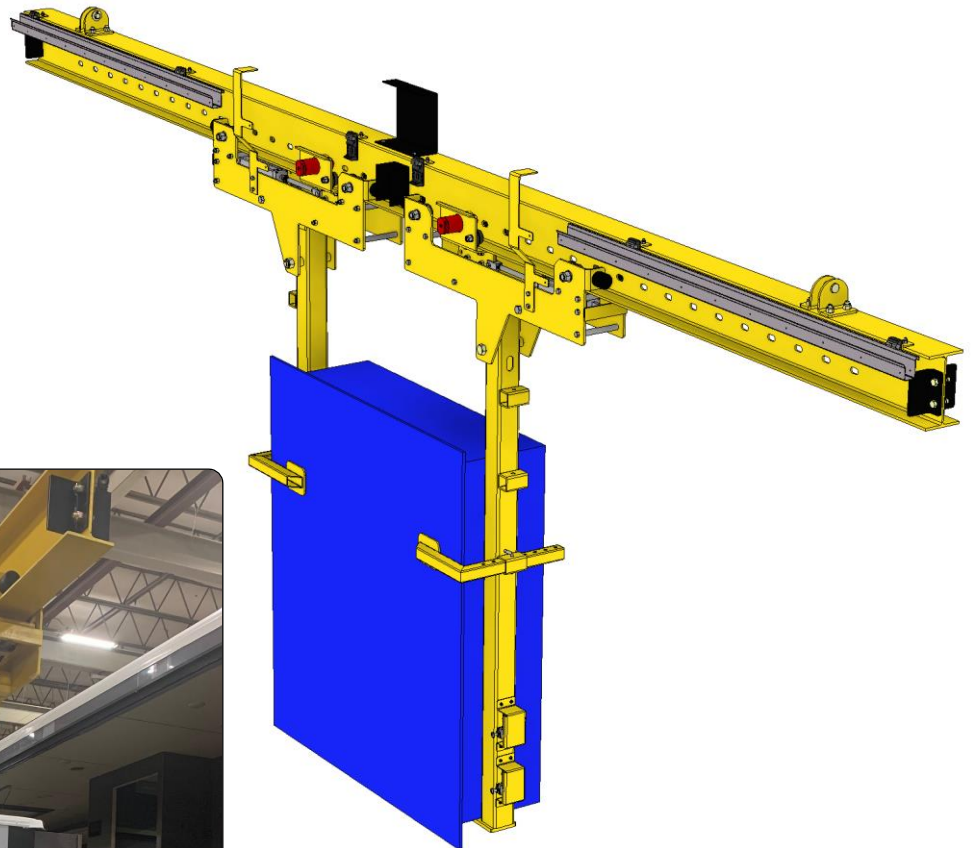


Product Description

Slide out BTY lifer and positioner

Product Features

- Air Cylinders
- Horizontal Clamping Design
- 2 Hoists Required



Cranes

Mezzanine

Fall Protection

Misc.

Cranes

Mezzanine

Fall Protection

Misc.

Product specifications and dimensions are approximate and for informational purposes only. Variations may occur due to design or manufacturing adjustments. For exact measurements, please confirm with our customer service before ordering. PWI reserves the right to modify specifications without notice.



Mezzanine



I Need More Space.

Investing in additional storage or manufacturing space is a big decision. At PWI, our goal is to simplify this process, allowing you to concentrate on your other responsibilities. Our sales and engineering teams get it. We do this every day, and we are here to help.

Cranes

Cranes

Mezzanine

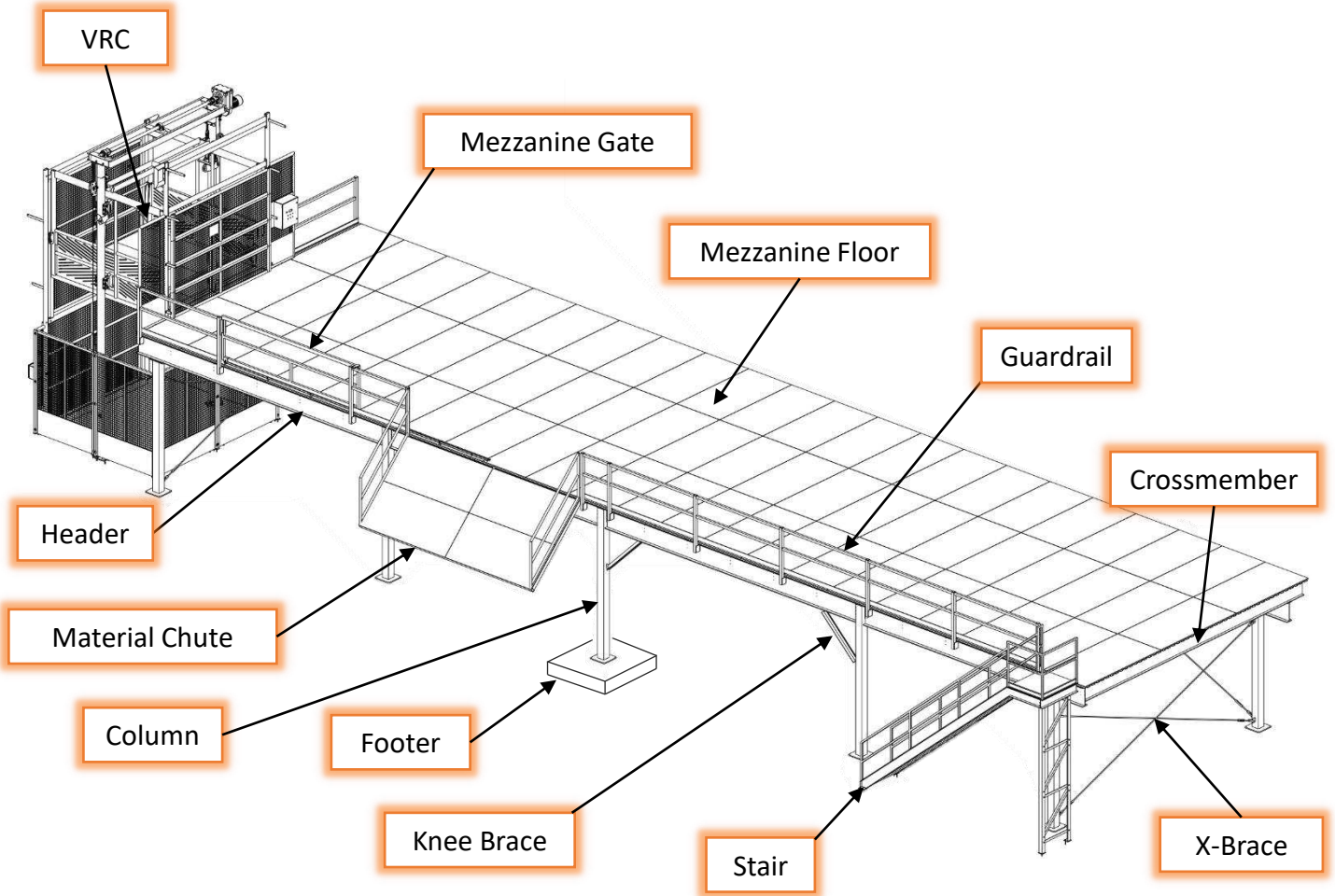
Mezzanine

Fall Protection

Fall Protection

Misc.

Misc.



Product specifications and dimensions are approximate and for informational purposes only. Variations may occur due to design or manufacturing adjustments. For exact measurements, please confirm with our customer service before ordering. PWI reserves the right to modify specifications without notice.



Mezzanine



Cranes

Cranes

First Step

Call PWI to get started. Send us a few pictures of the area and preferably a CAD layout of your facility, if available. Your CAD layout may not be 100% up to date, but this gives our team a jump start on the layout process.

Height

Is your ceiling height in your facility tall enough to add a mezzanine? The mezzanine floor structure depth varies based on your mezzanine column spacing but generally plan on a mezzanine floor structure depth of 16"-24". When you're standing on or below your new mezzanine will the clear height be sufficient?

Location

Mezzanines are an excellent solution for increasing your storage capacity. One key advantage of incorporating a mezzanine into your existing manufacturing space or new construction is the ability to store your products closer to the work cell or assembly line. Doing this will improve your efficiency and workflow, which will impact your bottom line.

Load/Unload

Vertical Reciprocating Conveyers (VRCs or material lifts) are a great option that PWI offers to load/unload your mezzanine. The location of these VRCs is crucial to your facility's overall efficiency. However, VRCs are not always necessary or the best solution depending on the size or amount of product. VRCs take up valuable floor space. Sometimes, the best solution is a mezzanine safety gate which allows a forklift to load/unload your mezzanine. In most situations, the best ROI is a combination of VRCs and mezz gates strategically located to optimize efficiency.

Engineering

PWI has an in-house team of engineers who not only have a lot of experience but can help you maximize your ROI by providing calculations and specs on all aspects of the mezzanine project including structural calculations, site specific ASCE seismic reports, Hilti Profis anchor design, footer and slab analysis. PWI provides PE or SE stamped drawings in all 50 states.

Mezzanine

Mezzanine

Fall Protection

Fall Protection

Misc.

Misc.



Product specifications and dimensions are approximate and for informational purposes only. Variations may occur due to design or manufacturing adjustments. For exact measurements, please confirm with our customer service before ordering. PWI reserves the right to modify specifications without notice.



Mezzanine



Cranes

Cranes

Access

Stairs are used to access a mezzanine. Although code requirements for stairs can be complex, a general guideline is to have two stairs for every mezz, and you should always be within 75' of a stair at any point on a mezzanine. PWI has tremendous capacity in options and customization for stairways. Check out stairzone.com (a division of PWI) to place a stair order and receive an instant quote and custom drawing for your application.



Mezzanine

Mezzanine

Flooring

Choosing the correct flooring type is crucial to avoiding problems in the future. PWI has in-house roll forming for B Deck and Form Deck. This is a big advantage which allows us to design and build custom mezzanines while staying on schedule.



Will you be using a pallet jack on the mezzanine? Is there a chance of the mezzanine deck getting wet from products are coming in with snow/water causing the mezz floor to be wet?

Concrete with form deck mezzanine flooring is the best most durable option for any application, it is also the most expensive and has the highest dead load which will always require large footers.

AdvanTech on B Deck is a good option for a variety of applications and can withstand some moisture.

ResinDek on B Deck is a good option for lighter applications.

Steel Bar Grating is a great option for equipment platforms and other applications where a pallet jack will not be used.

Fall Protection

Fall Protection

Misc.

Misc.



Product specifications and dimensions are approximate and for informational purposes only. Variations may occur due to design or manufacturing adjustments. For exact measurements, please confirm with our customer service before ordering. PWI reserves the right to modify specifications without notice.



Mezzanine



Cranes

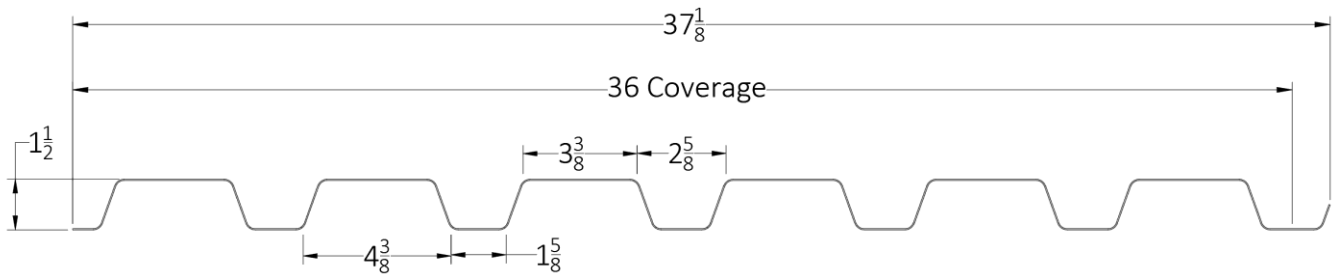
Cranes

Mezzanine

Mezzanine

B Deck

- [1.5" B Deck Specs PDF](#)
- Steel Grade: A1011 CS Type B

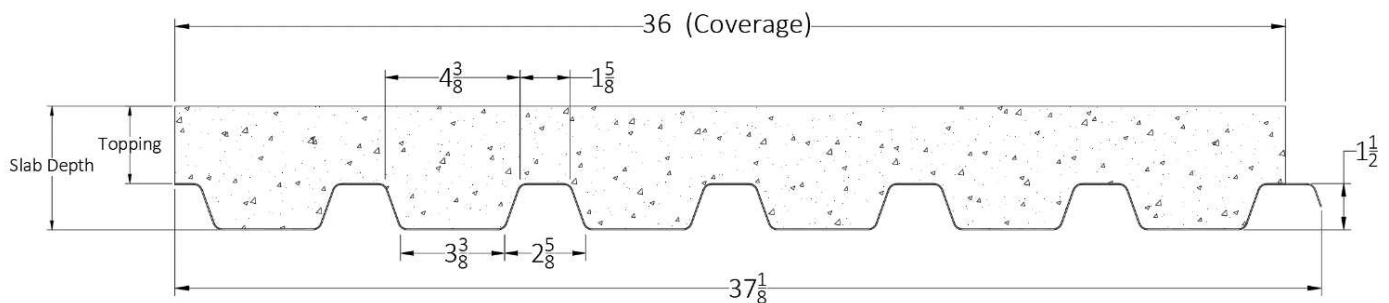


Fall Protection

Fall Protection

Form Deck

- [Form Deck Specs PDF](#)
- Steel Grade: A1011 CS Type B



Misc.

Misc.



Product specifications and dimensions are approximate and for informational purposes only. Variations may occur due to design or manufacturing adjustments. For exact measurements, please confirm with our customer service before ordering. PWI reserves the right to modify specifications without notice.



Mezzanine



Cranes

Mezzanine

Fall Protection

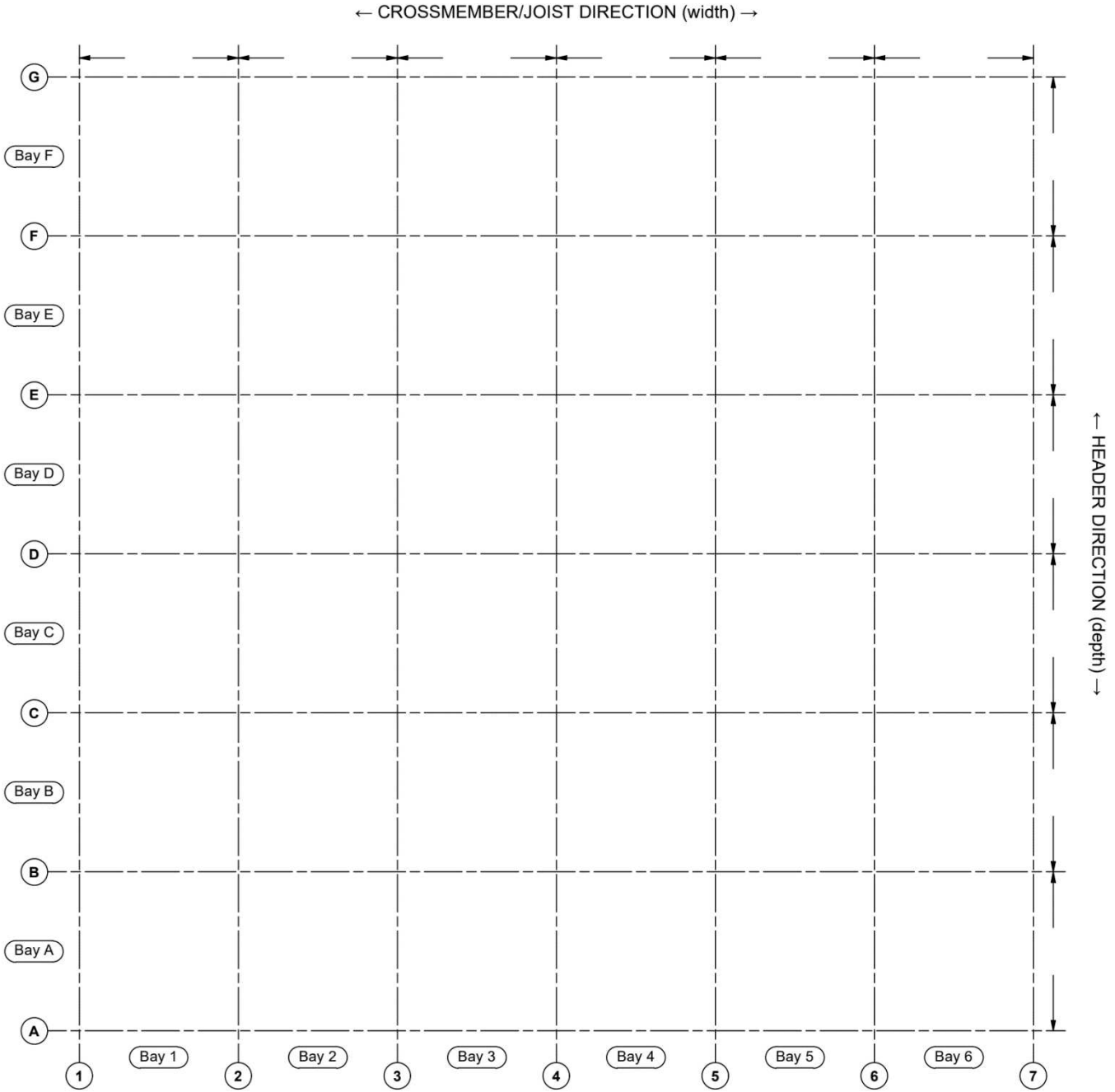
Misc.

Cranes

Mezzanine

Fall Protection

Misc.



Product specifications and dimensions are approximate and for informational purposes only. Variations may occur due to design or manufacturing adjustments. For exact measurements, please confirm with our customer service before ordering. PWI reserves the right to modify specifications without notice.



Mezzanine



Cranes

Cranes

Mezzanine

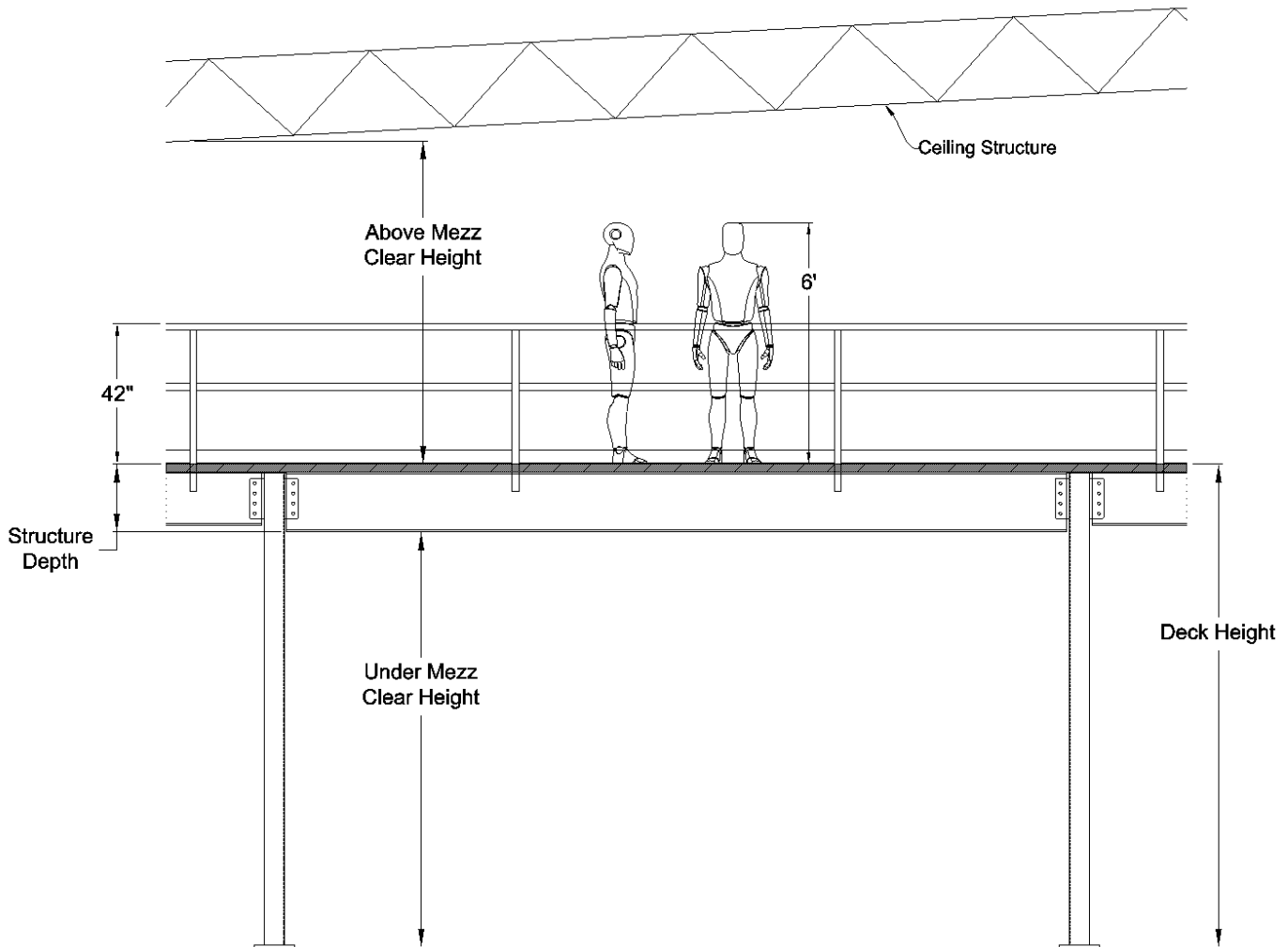
Mezzanine

Fall Protection

Fall Protection

Misc.

Misc.



Product specifications and dimensions are approximate and for informational purposes only. Variations may occur due to design or manufacturing adjustments. For exact measurements, please confirm with our customer service before ordering. PWI reserves the right to modify specifications without notice.



Mezzanine Columns

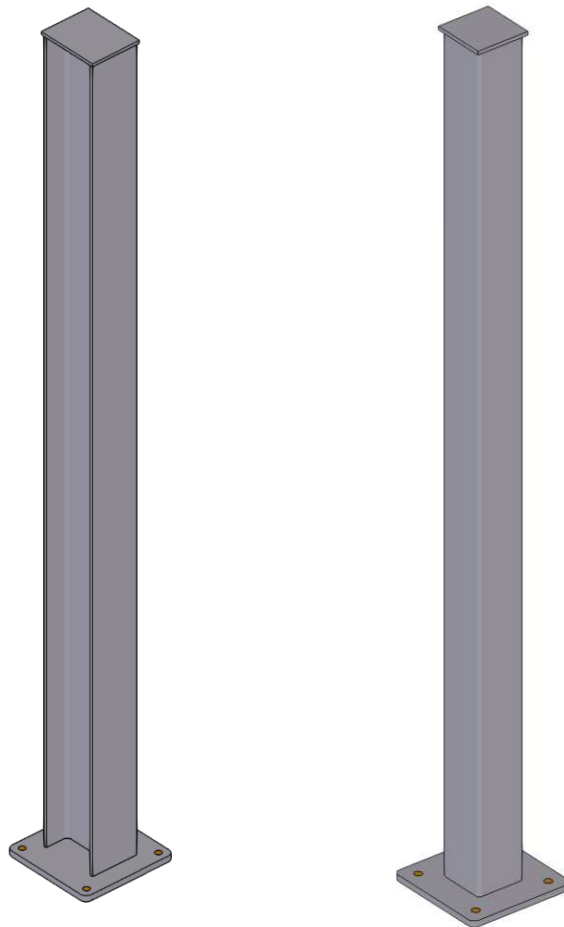


Product Description

PWI offers variety

Product Features

- W-Beam
 - More economical vs. HSS tubes
 - Used in a system where moment connections are required
 - Used in a braced mezzanine
- HSS Tube
 - Used in freestanding system
 - Used in high seismic applications



Cranes

Cranes

Mezzanine

Mezzanine

Fall Protection

Fall Protection

Misc.

Misc.

Product specifications and dimensions are approximate and for informational purposes only. Variations may occur due to design or manufacturing adjustments. For exact measurements, please confirm with our customer service before ordering. PWI reserves the right to modify specifications without notice.



Mezzanine Crossmembers



Product Description

- Mezzanine Crossmembers

Product Features

- W-Beam Crossmembers
 - Allows for a low deck profile without compromising on longer column spans
- Bar Joists
 - Accommodates large spans or projects that require vast, unobstructed floor space
 - Allows the installation and access of sprinkler systems, electrical conduit, and mechanical equipment

Cranes

Cranes

Mezzanine

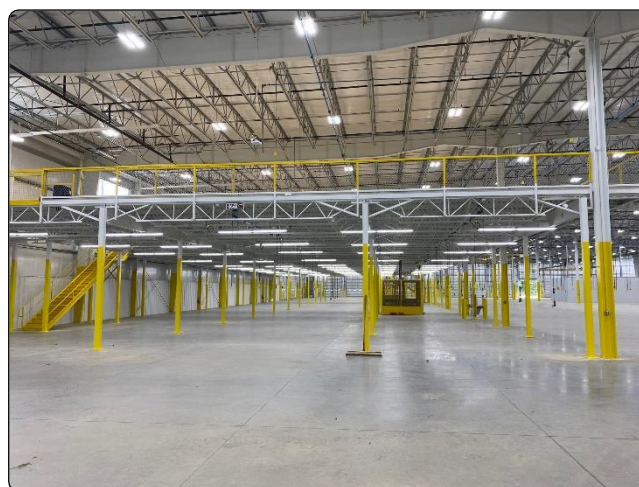
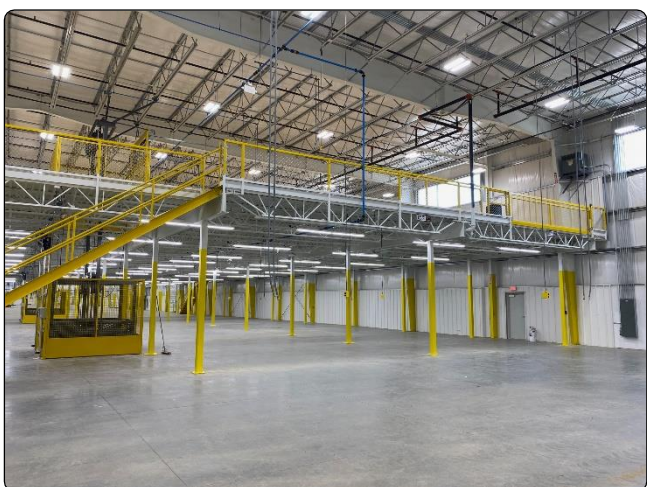
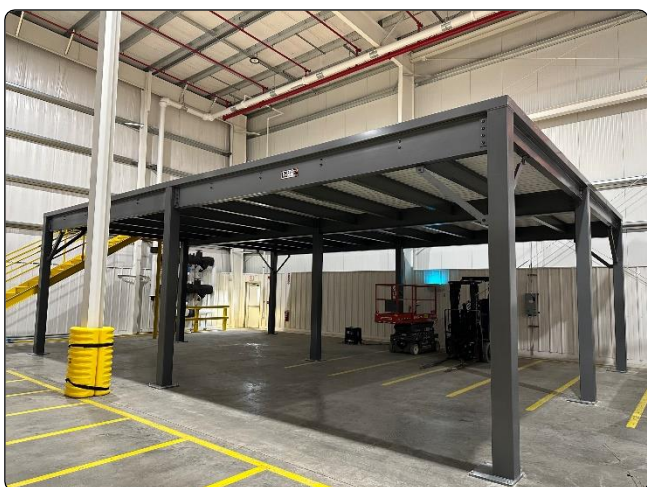
Mezzanine

Fall Protection

Fall Protection

Misc.

Misc.



Product specifications and dimensions are approximate and for informational purposes only. Variations may occur due to design or manufacturing adjustments. For exact measurements, please confirm with our customer service before ordering. PWI reserves the right to modify specifications without notice.



Mezzanine - Crane

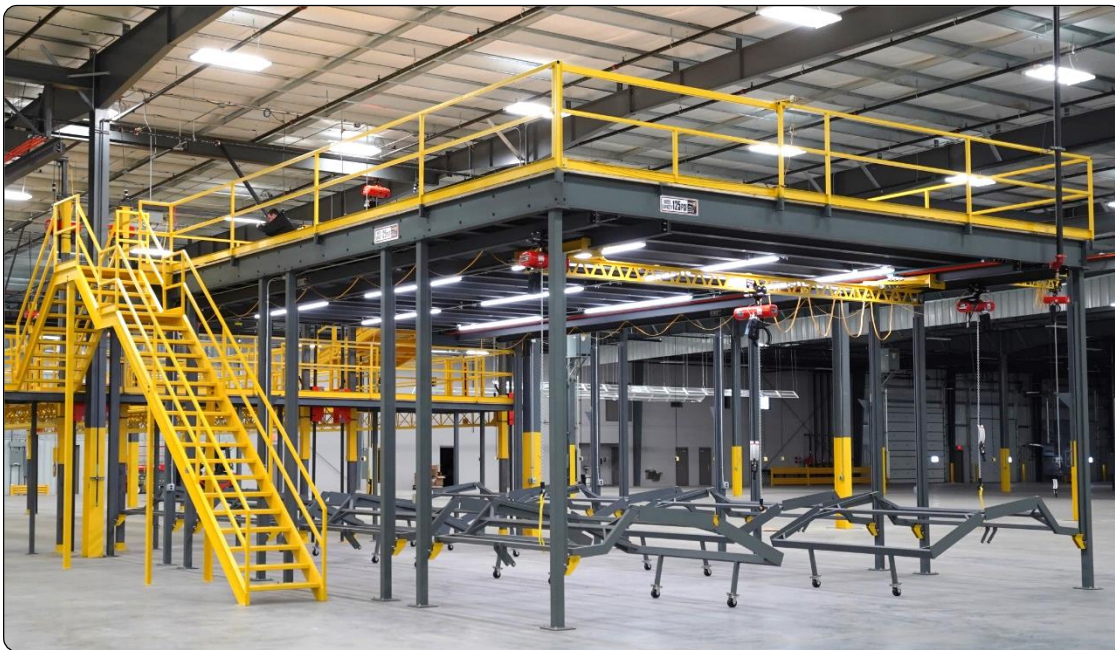
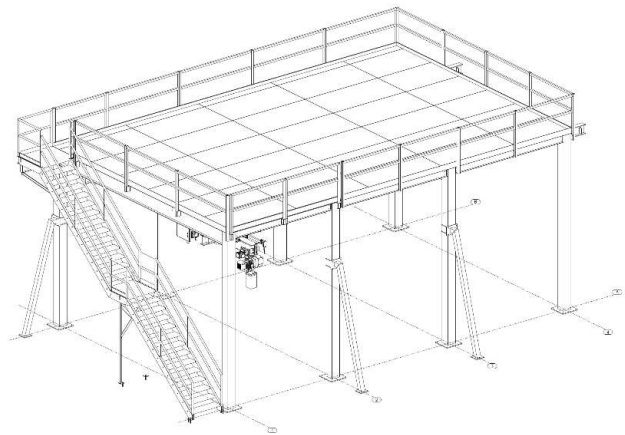


Product Description

- Mezzanine/Crane Combo

Product Features

- Capacity: 500lbs. 1,000lbs. 1 Ton, 2 Ton, 3 Ton
- Span: 5'-60'



Cranes

Mezzanine

Fall Protection

Misc.

Cranes

Mezzanine

Fall Protection

Misc.

Product specifications and dimensions are approximate and for informational purposes only. Variations may occur due to design or manufacturing adjustments. For exact measurements, please confirm with our customer service before ordering. PWI reserves the right to modify specifications without notice.



Mezzanine Bracing Options

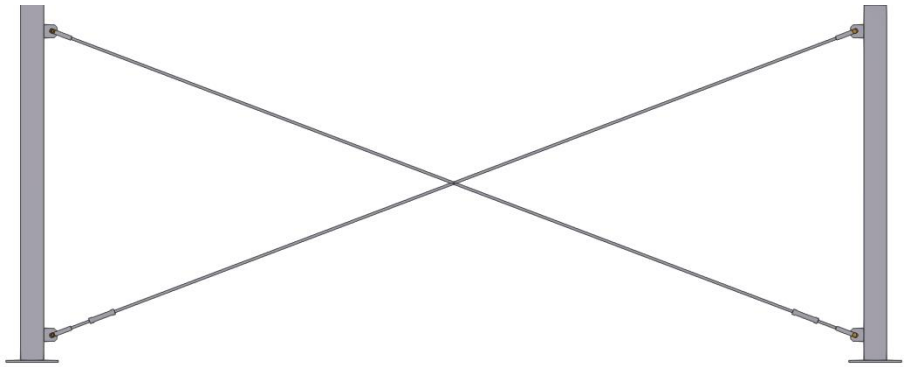


Product Description

- Mezzanine Structure Bracing

Product Features

- X Bracing (Cross Bracing)
- Knee Bracing
- Floor Bracing
- Brace to Existing Structure



Cranes

Cranes

Mezzanine

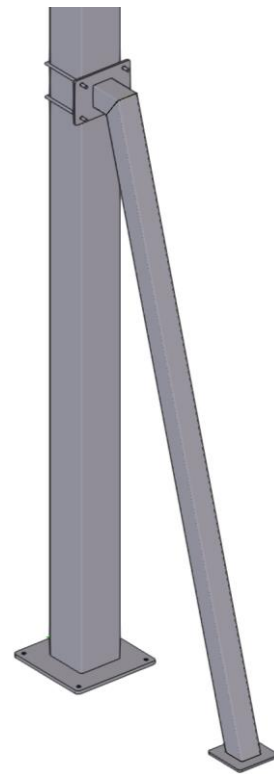
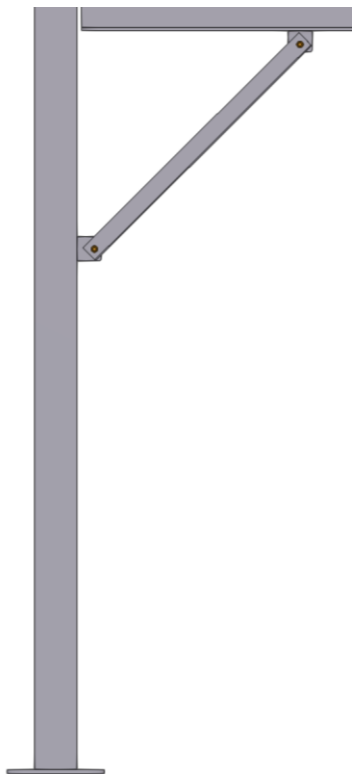
Mezzanine

Fall Protection

Fall Protection

Misc.

Misc.



Product specifications and dimensions are approximate and for informational purposes only. Variations may occur due to design or manufacturing adjustments. For exact measurements, please confirm with our customer service before ordering. PWI reserves the right to modify specifications without notice.



Bolted Guardrail



Product Description

- Bolt-on guardrail system that allows for simple, flexible installation.

Product Features

- Customizable lengths and configurations for many applications.
- Avoids the need to weld guardrail components on-site.

Cranes

Cranes

Mezzanine

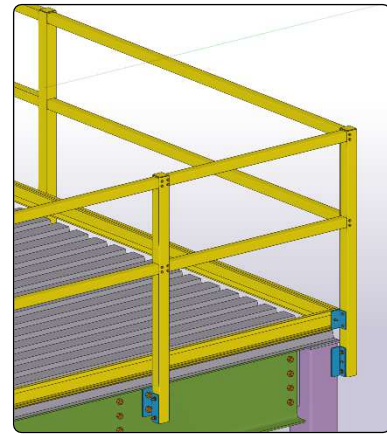
Mezzanine

Fall Protection

Fall Protection

Misc.

Misc.



Product specifications and dimensions are approximate and for informational purposes only. Variations may occur due to design or manufacturing adjustments. For exact measurements, please confirm with our customer service before ordering. PWI reserves the right to modify specifications without notice.



Welded Guardrail



Product Description

- Weld-on guardrail sections for a range of mezzanine scenarios.

Product Features

- Mounting Types
 - Bare Post
 - Base Plate
 - Flag/Tab
- Adjustable post and top/mid rail member sizes

Cranes

Cranes

Mezzanine

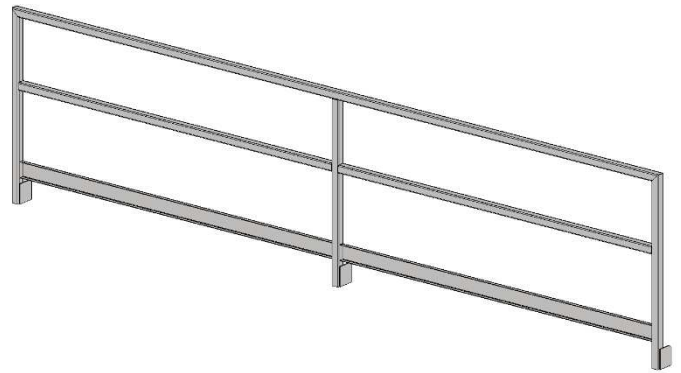
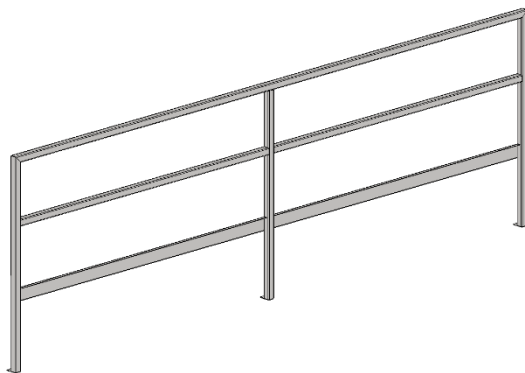
Mezzanine

Fall Protection

Fall Protection

Misc.

Misc.



Product specifications and dimensions are approximate and for informational purposes only. Variations may occur due to design or manufacturing adjustments. For exact measurements, please confirm with our customer service before ordering. PWI reserves the right to modify specifications without notice.



Surface Mounted Guardrail

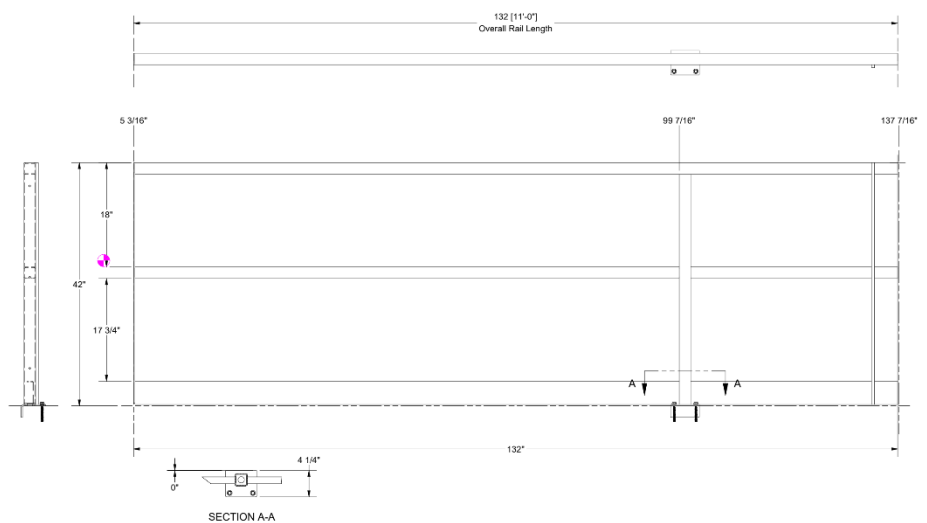
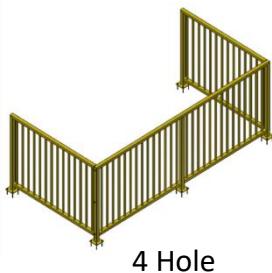
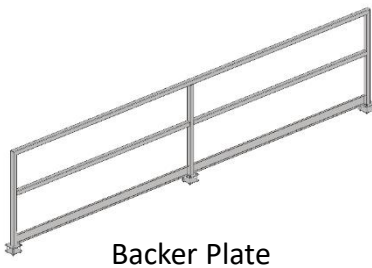
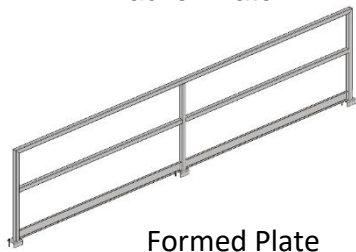
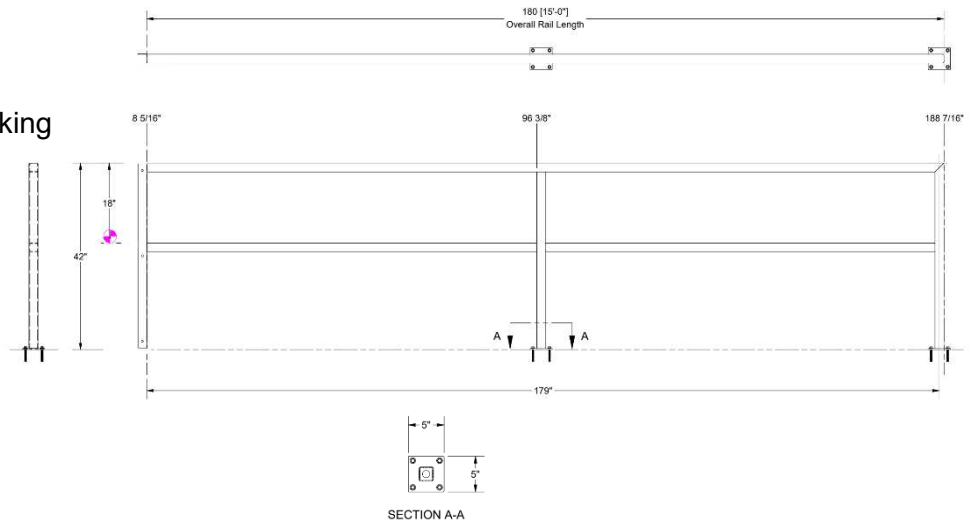


Product Description

- Top mounted guardrail applications for concrete, wood, or steel decking. Surface Mounted Guardrail has splicing options to accommodate any onsite installation scenario:
 - Welded
 - Formed Plate using Self-Tapping Screws
 - Flat Bar using Self-Tapping Screws
- PWI's guardrail is compliant with OSHA [1910.29\(b\)](#).

Product Features

- Flooring Types
 - B Deck / 3/4" Wood Decking
 - B Deck / Tread Plate
 - Tread Plate
 - Concrete
- Mounting Types
 - Base Plate
 - 2 Holes
 - 4 Holes
 - Formed
 - Backer Plate



Product specifications and dimensions are approximate and for informational purposes only. Variations may occur due to design or manufacturing adjustments. For exact measurements, please confirm with our customer service before ordering. PWI reserves the right to modify specifications without notice.



Cranes

Cranes

Mezzanine

Mezzanine

Fall Protection

Fall Protection

Misc.

Misc.

Mesh Guardrail



Product Description

- Steel Mesh Guardrail

Product Features

- Customizable Height
- Modular Mesh Panels

Cranes

Mezzanine

Fall Protection

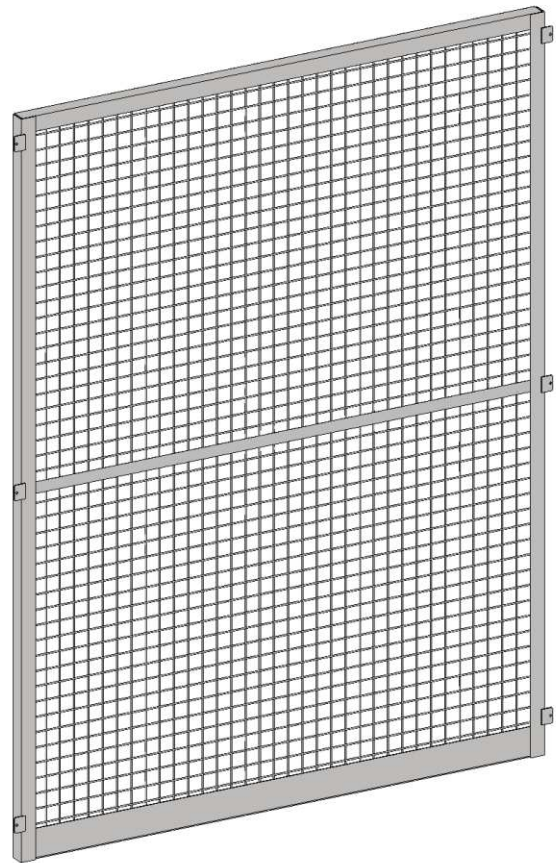
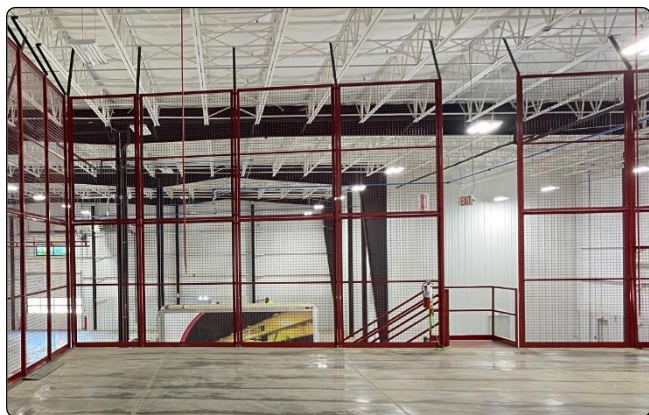
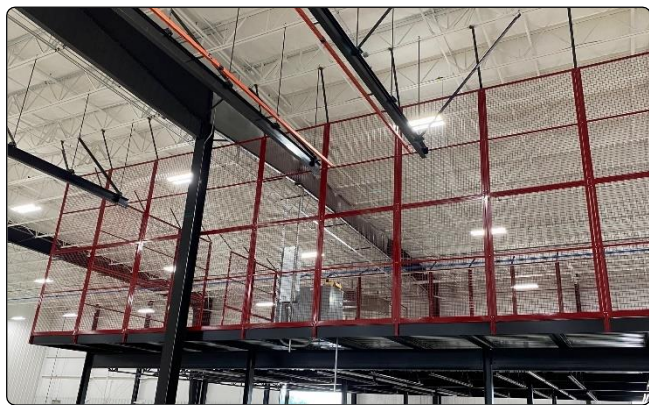
Misc.

Cranes

Mezzanine

Fall Protection

Misc.



Product specifications and dimensions are approximate and for informational purposes only. Variations may occur due to design or manufacturing adjustments. For exact measurements, please confirm with our customer service before ordering. PWI reserves the right to modify specifications without notice.



M Toe Kick

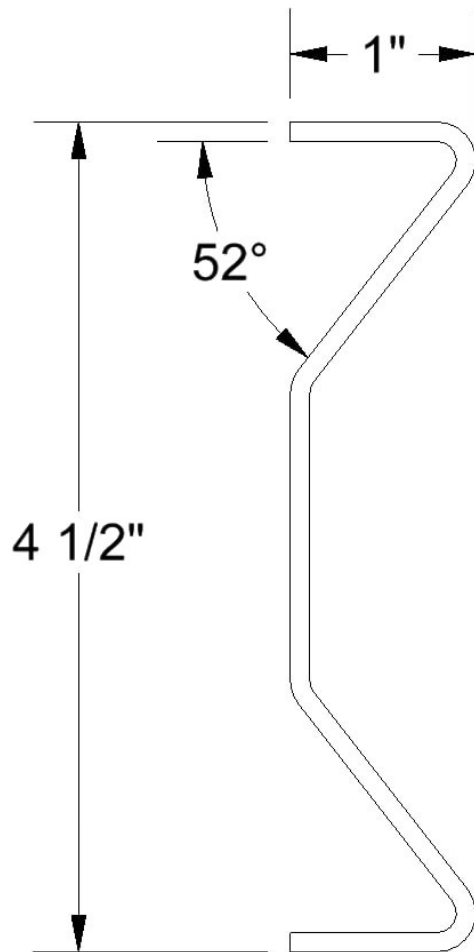
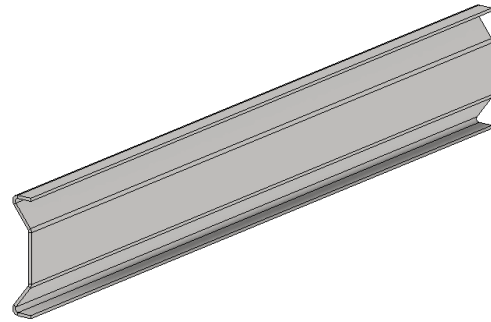


Product Description

- M Style Toe Kick

Product Features

- 12ga. Steel
- Roll Form or Press Brake
- Weld In or Screw On
- Resistant to Warping During Hot Dip Galvanizing



Cranes

Cranes

Mezzanine

Mezzanine

Fall Protection

Fall Protection

Misc.

Misc.

Product specifications and dimensions are approximate and for informational purposes only. Variations may occur due to design or manufacturing adjustments. For exact measurements, please confirm with our customer service before ordering. PWI reserves the right to modify specifications without notice.



L Toe Kick

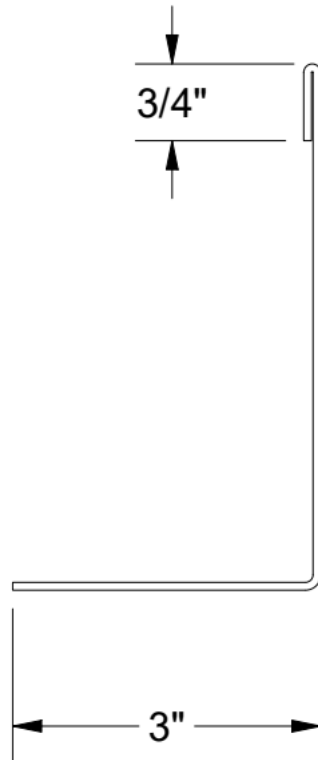
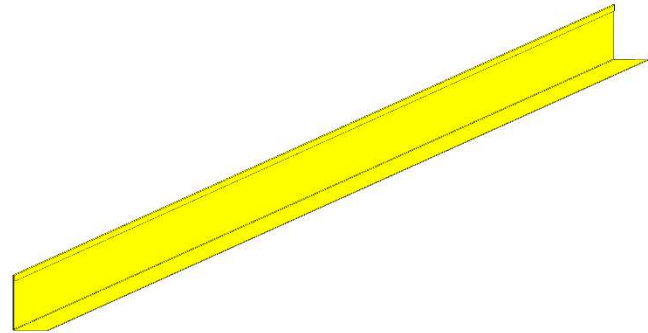


Product Description

- L Style Toe Kick

Product Features

- 14ga. Steel
- Press Brake
- Screw On
- Installed under mezzanine decking
- Adjustable height for varying decking thickness



Product specifications and dimensions are approximate and for informational purposes only. Variations may occur due to design or manufacturing adjustments. For exact measurements, please confirm with our customer service before ordering. PWI reserves the right to modify specifications without notice.



Cranes

Mezzanine

Fall Protection

Misc.

Cranes

Mezzanine

Fall Protection

Misc.

C Toe Kick

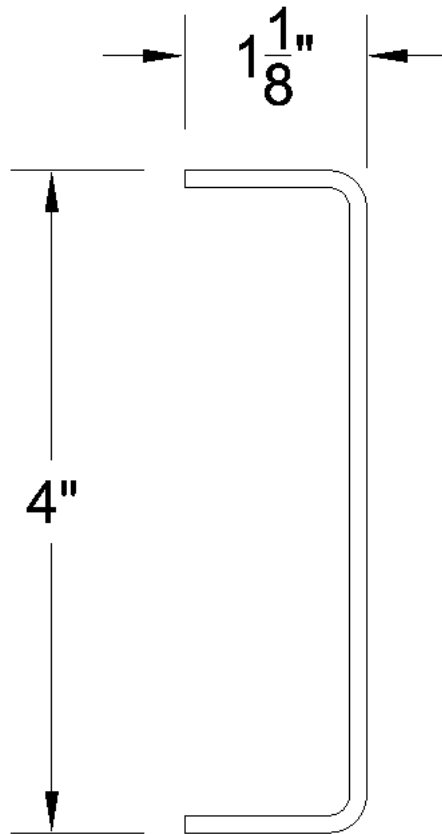
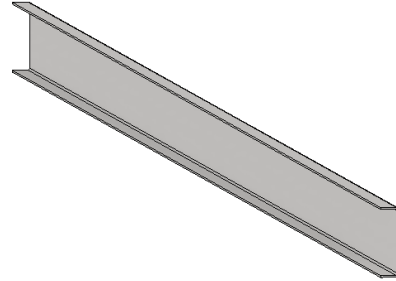


Product Description

- C Style Toe Kick

Product Features

- 12ga. Steel
- Roll Form or Press Brake
- Weld In



Cranes

Cranes

Mezzanine

Mezzanine

Fall Protection

Fall Protection

Misc.

Misc.

Product specifications and dimensions are approximate and for informational purposes only. Variations may occur due to design or manufacturing adjustments. For exact measurements, please confirm with our customer service before ordering. PWI reserves the right to modify specifications without notice.



Z Toe Kick

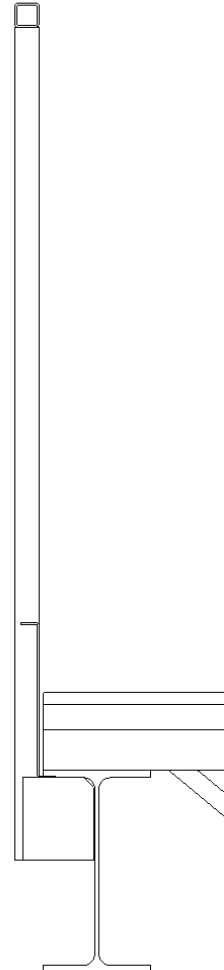
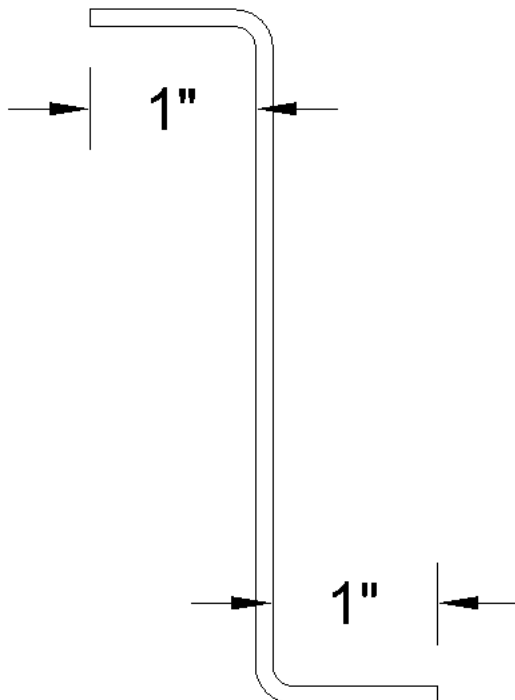


Product Description

- Z Style Toe Kick

Product Features

- 12ga. Steel
- Press Brake
- Weld In
- Adjustable height to cap beam or joist ends



Cranes

Mezzanine

Fall Protection

Misc.

Cranes

Mezzanine

Fall Protection

Misc.

Product specifications and dimensions are approximate and for informational purposes only. Variations may occur due to design or manufacturing adjustments. For exact measurements, please confirm with our customer service before ordering. PWI reserves the right to modify specifications without notice.



Motorized Overhead Gate



Product Description

- Motorized Overhead Mezzanine Gate

Product Features

- A great option for securing and pallet/material loading zones
- Operable from floor or mezzanine level

Cranes

Cranes

Mezzanine

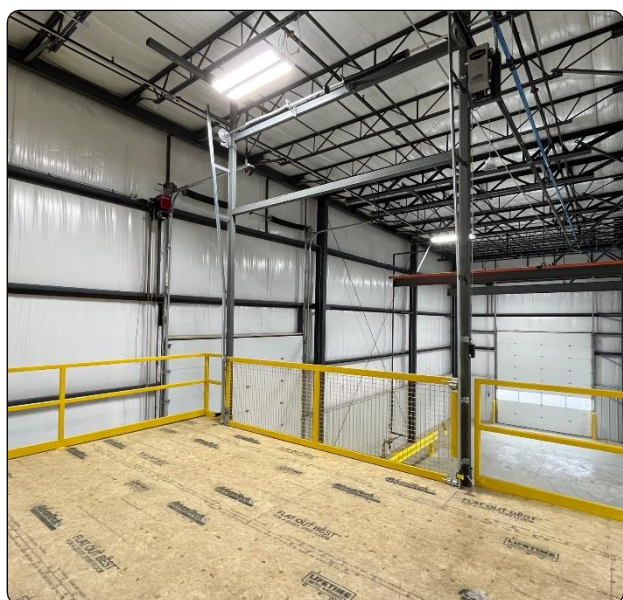
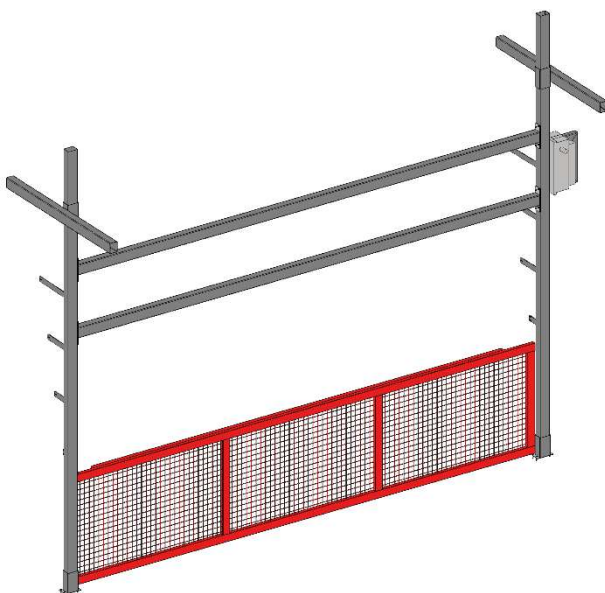
Mezzanine

Fall Protection

Fall Protection

Misc.

Misc.



Product specifications and dimensions are approximate and for informational purposes only. Variations may occur due to design or manufacturing adjustments. For exact measurements, please confirm with our customer service before ordering. PWI reserves the right to modify specifications without notice.



Motorized Drop Gate



Product Description

- Motorized Mezzanine Drop Gate

Product Features

- Minimize gate footprint
- Provides access for material handling

Cranes

Cranes

Mezzanine

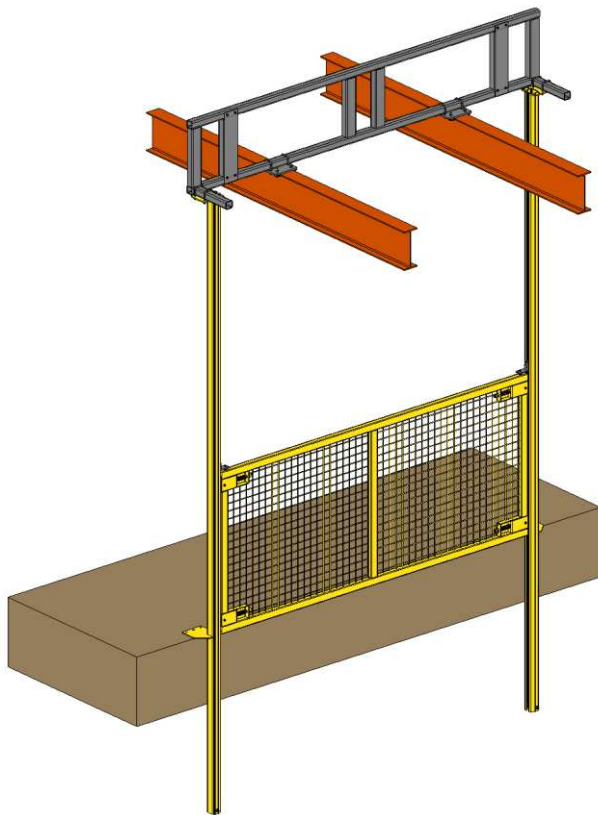
Mezzanine

Fall Protection

Fall Protection

Misc.

Misc.



Product specifications and dimensions are approximate and for informational purposes only. Variations may occur due to design or manufacturing adjustments. For exact measurements, please confirm with our customer service before ordering. PWI reserves the right to modify specifications without notice.



Manual Drop Gate

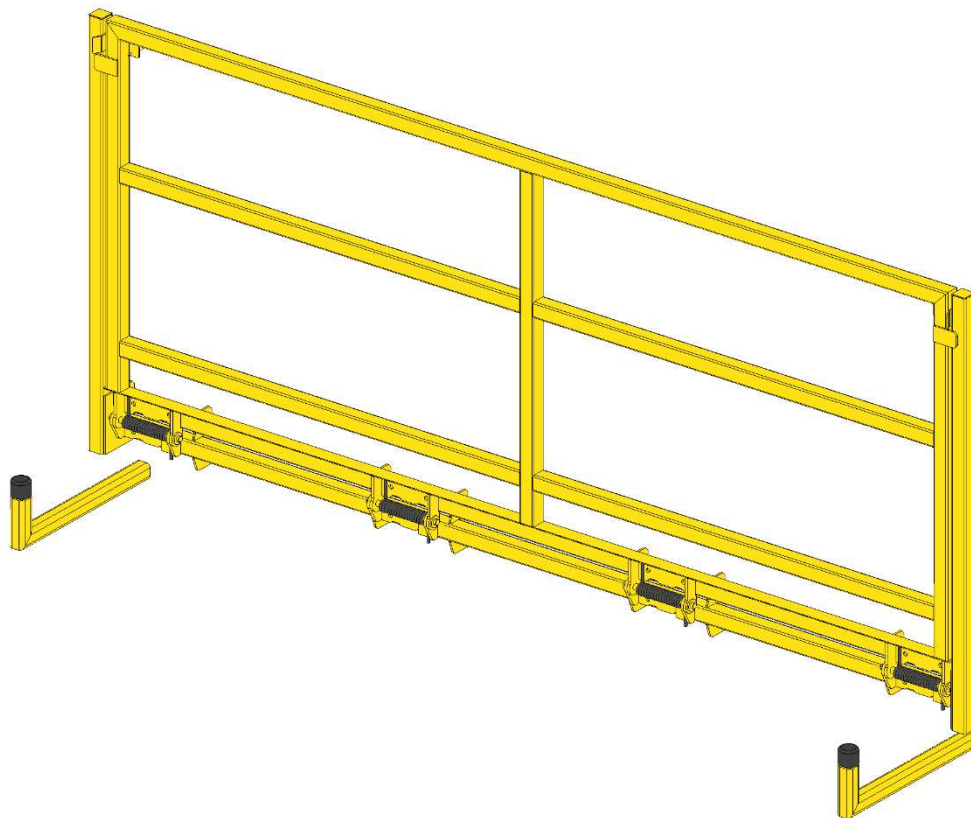


Product Description

- Manual Mezzanine Drop Gate

Product Features

- Minimize gate footprint
- Provides access for material handling



Cranes

Cranes

Mezzanine

Mezzanine

Fall Protection

Fall Protection

Misc.

Misc.

Product specifications and dimensions are approximate and for informational purposes only. Variations may occur due to design or manufacturing adjustments. For exact measurements, please confirm with our customer service before ordering. PWI reserves the right to modify specifications without notice.



Manual Rolling Gate



Product Description

- Manual Rolling Mezzanine Gate

Product Features

- Provides easy access for pallets and material

Cranes

Mezzanine

Fall Protection

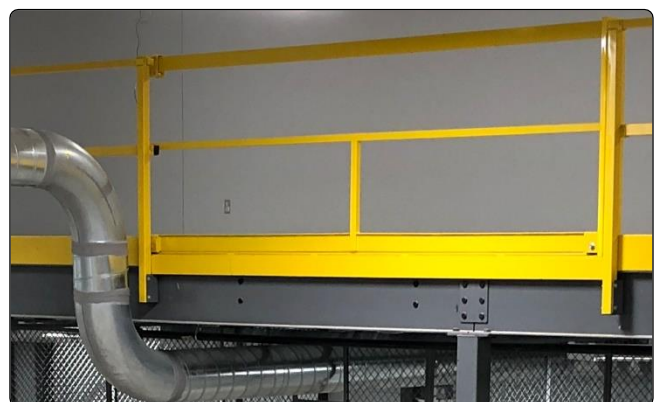
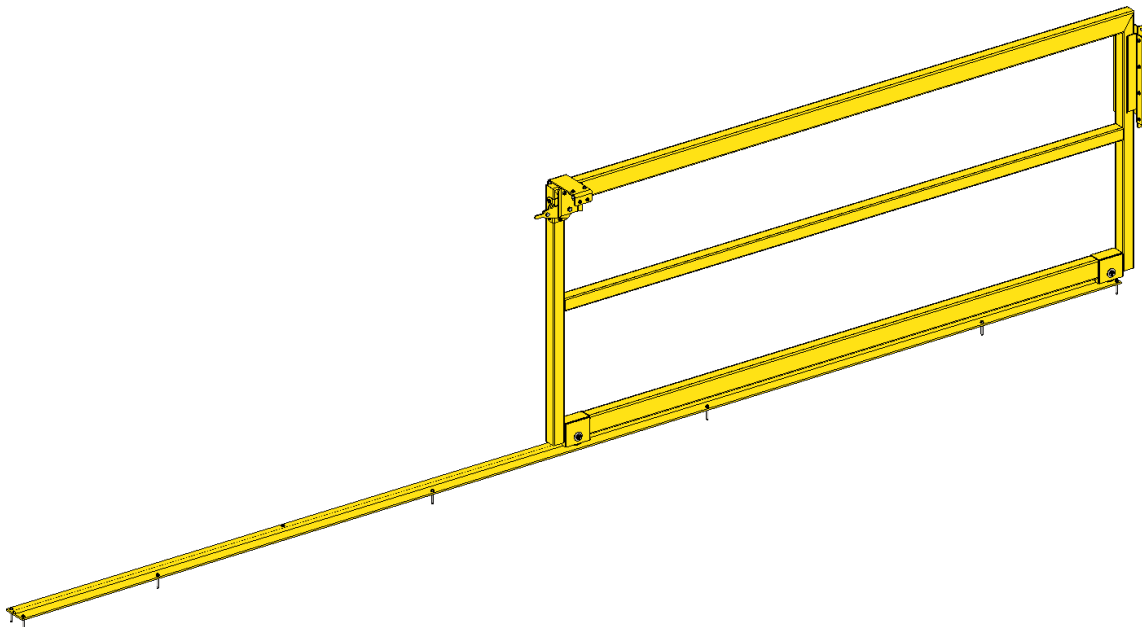
Misc.

Cranes

Mezzanine

Fall Protection

Misc.



Product specifications and dimensions are approximate and for informational purposes only. Variations may occur due to design or manufacturing adjustments. For exact measurements, please confirm with our customer service before ordering. PWI reserves the right to modify specifications without notice.



Motorized Rolling Gate



Product Description

- Motorized Rolling Mezzanine Gate

Product Features

- Provides easy access for pallets and material

Cranes

Cranes

Mezzanine

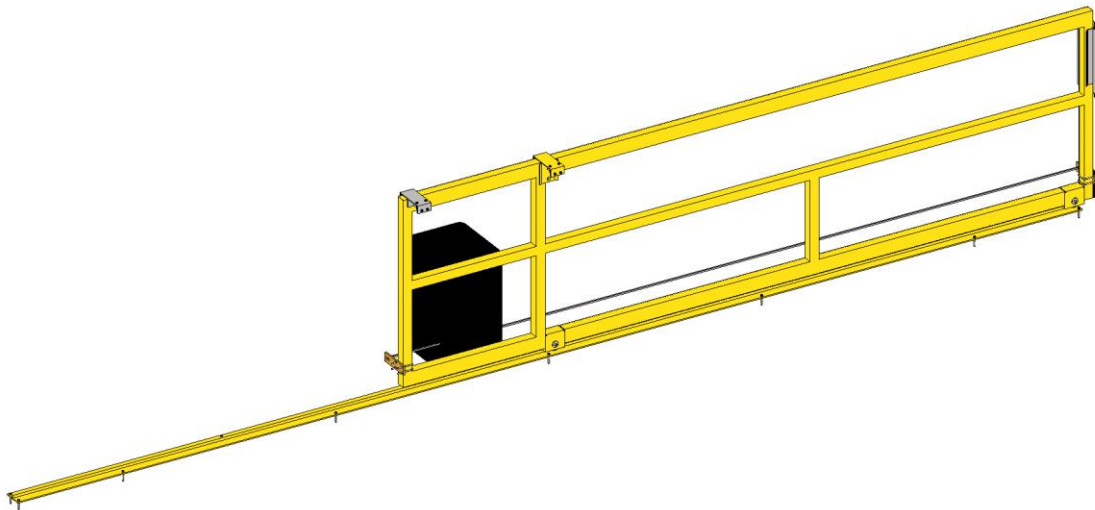
Mezzanine

Fall Protection

Fall Protection

Misc.

Misc.



Product specifications and dimensions are approximate and for informational purposes only. Variations may occur due to design or manufacturing adjustments. For exact measurements, please confirm with our customer service before ordering. PWI reserves the right to modify specifications without notice.



Swing Gate

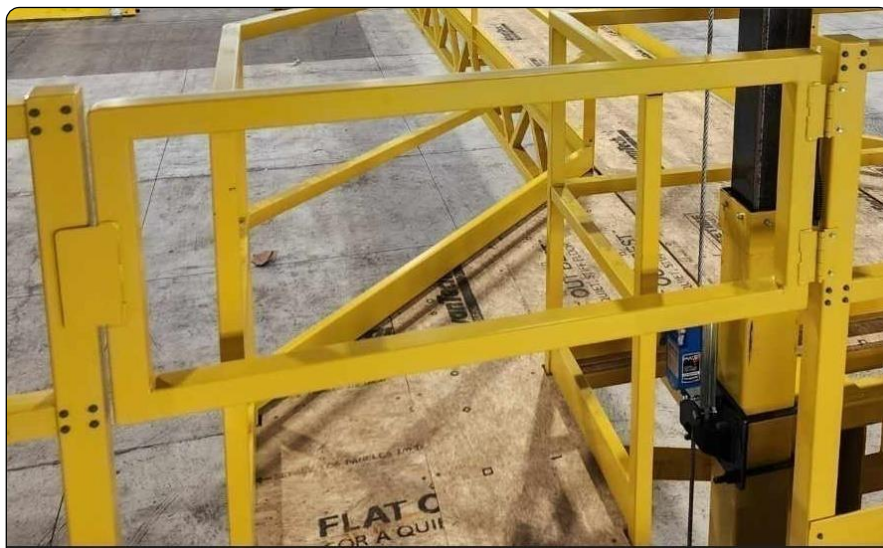
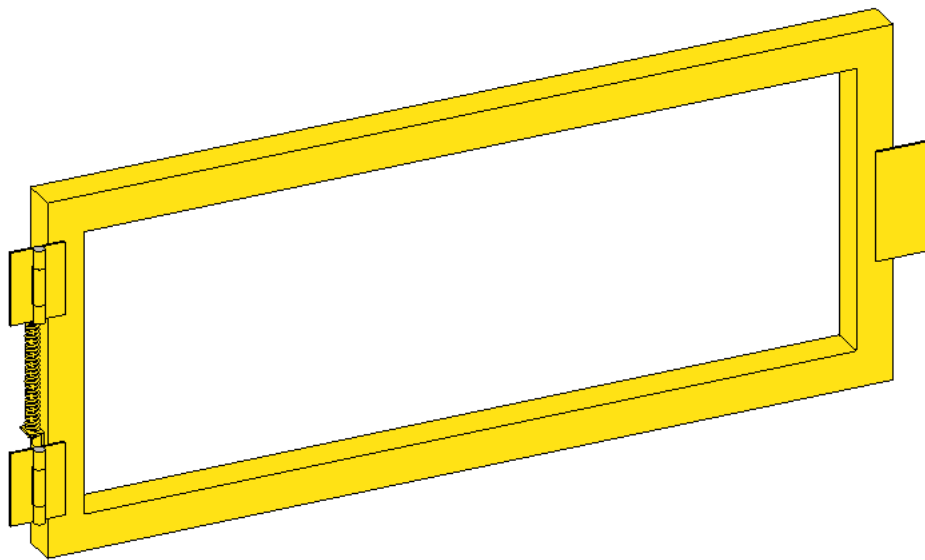


Product Description

- Spring Swinging Gate

Product Features

- Simple Design
- Self-closing
- Provides easy access



Product specifications and dimensions are approximate and for informational purposes only. Variations may occur due to design or manufacturing adjustments. For exact measurements, please confirm with our customer service before ordering. PWI reserves the right to modify specifications without notice.



Cranes

Mezzanine

Fall Protection

Misc.

Cranes

Mezzanine

Fall Protection

Misc.

Manual Flip Gate



Product Description

- Manual Pivoting Gate

Product Features

- Provides safe area for material access
- Easy operation

Cranes

Cranes

Mezzanine

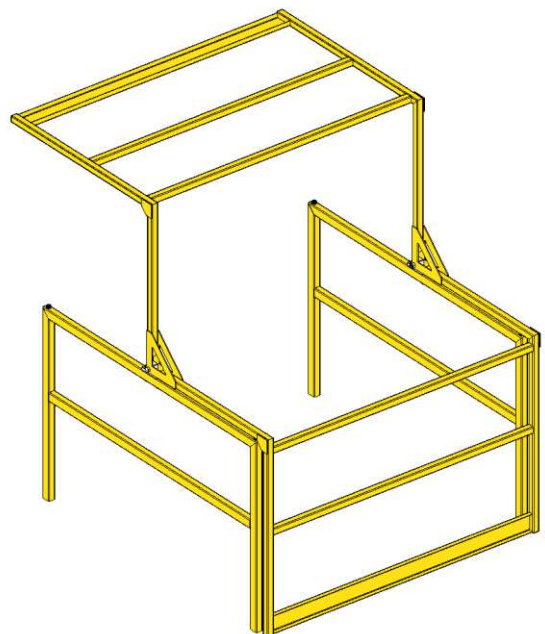
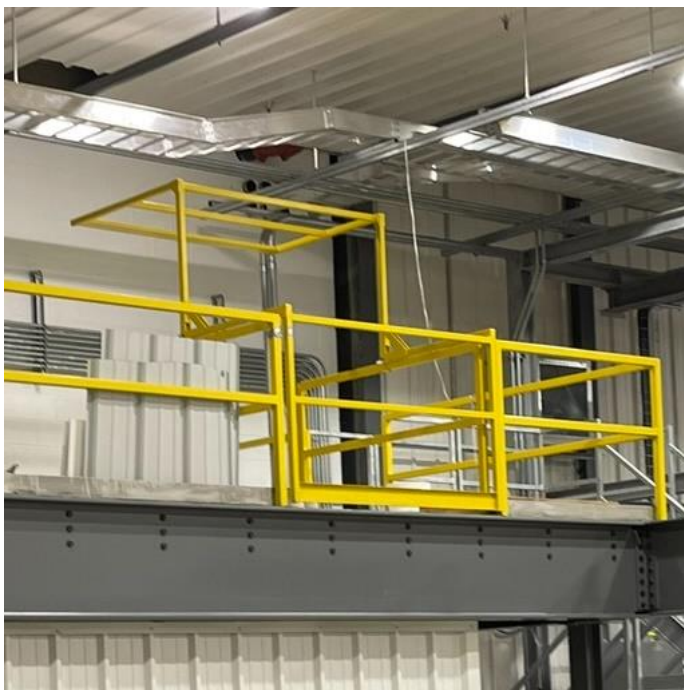
Mezzanine

Fall Protection

Fall Protection

Misc.

Misc.



Product specifications and dimensions are approximate and for informational purposes only. Variations may occur due to design or manufacturing adjustments. For exact measurements, please confirm with our customer service before ordering. PWI reserves the right to modify specifications without notice.



Material Chute

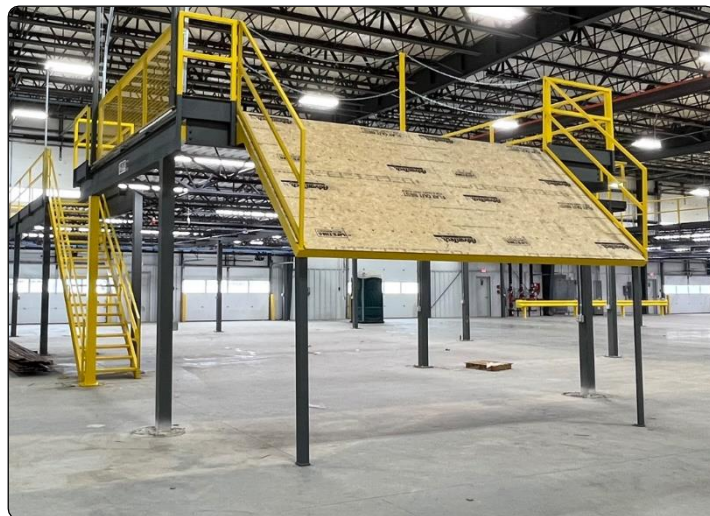
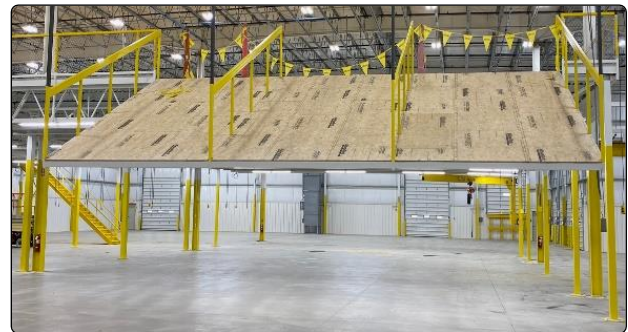


Product Description

- Material Access Chute

Product Features

- Optional mounting: cantilever, column mounted
- Quick access to stored products and materials



Cranes

Mezzanine

Fall Protection

Misc.

Cranes

Mezzanine

Fall Protection

Misc.

Product specifications and dimensions are approximate and for informational purposes only. Variations may occur due to design or manufacturing adjustments. For exact measurements, please confirm with our customer service before ordering. PWI reserves the right to modify specifications without notice.



Outrigger

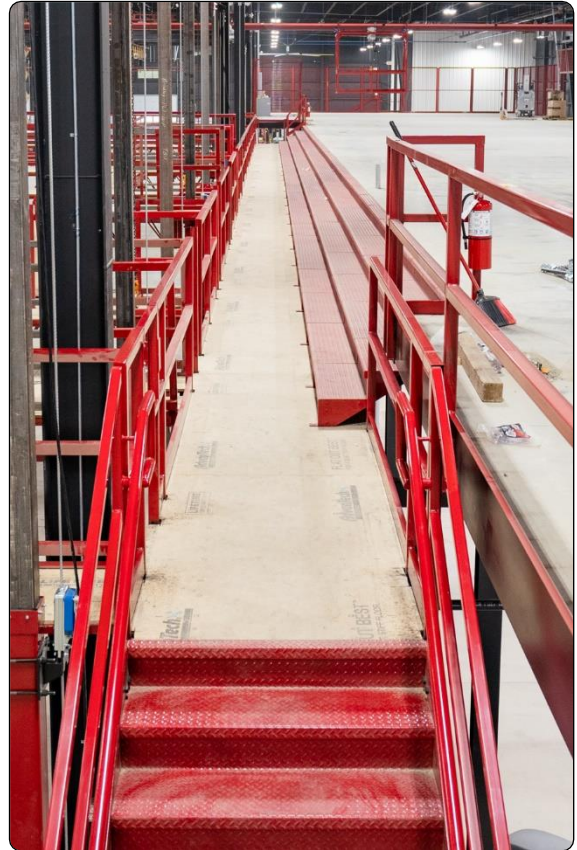


Product Description

- Mezzanine Outrigger

Product Features

- Optional Mounting: Cantilever, Column Mounted
- Access production area without sacrificing storage



Cranes

Mezzanine

Fall Protection

Misc.

Cranes

Mezzanine

Fall Protection

Misc.

Product specifications and dimensions are approximate and for informational purposes only. Variations may occur due to design or manufacturing adjustments. For exact measurements, please confirm with our customer service before ordering. PWI reserves the right to modify specifications without notice.



Stairs



Straight



L



Cranes

Cranes

Mezzanine

Mezzanine

Switchback



Crossover



Fall Protection

Fall Protection

Misc.

Misc.



Product specifications and dimensions are approximate and for informational purposes only. Variations may occur due to design or manufacturing adjustments. For exact measurements, please confirm with our customer service before ordering. PWI reserves the right to modify specifications without notice.



CHOOSE YOUR TREAD TYPE

OSHA Compliant

Diamond Plate Open Riser

- 7-9" rise
- 8 1/2" run
- Popular for industrial
- Embossed diamond for traction and durability

OSHA Compliant

Bar Grating Open Riser

- 7-9" rise
- 8 1/2" run
- Popular for industrial
- Anti-slip serrated grating

IBC Compliant

Bar Grating Partially Closed Riser

- 6-7" rise
- 11" run
- Popular for industrial
- Anti-slip serrated grating

IBC Compliant

Diamond Plate Closed Riser

- 6-7" rise
- 11" run
- Popular for industrial
- Embossed diamond for traction and durability

IBC Compliant

Poured Pan Closed Riser

- 6-7" rise
- 11" run
- Popular for contractors
- Ultimate sturdiness with concrete

IBC Compliant

Diamond Plate "Thick Profile" Open Riser

- 6-7" rise
- 11" run
- Popular for industrial
- Embossed diamond for traction and durability

CHOOSE YOUR RAILING TYPE

Cranes

Mezzanine

Fall Protection

Misc.

Cranes

Mezzanine

Fall Protection

Misc.



No Railing



Type A: Wall Mount Handrail



Type B: Combination Hand/Stair Rail



Type C: Stair Rail + Inner Handrail



Type D: Balusters + Inner Handrail



Type E: Mesh Infill Rail + Inner Handrail

Paint Colors



Cranes

Cranes

CHOOSE YOUR COATING

You are choosing the coating for the entire stairway package including the railing.

Mezzanine










Mezzanine

Fall Protection

Fall Protection

Misc.

Misc.

<p>Interior</p>  <p>Gray Primer Apply your own finish paint</p>	<p>Interior</p>  <p>Safety Yellow Paint Industrial application</p>	<p>Interior</p>  <p>Black Paint Commercial application</p>
<p>Interior</p>  <p>Orange Paint Commercial application</p>	<p>Interior</p>  <p>Blue Paint Commercial application</p>	<p>Interior</p>  <p>Red Paint Commercial application</p>
<p>Interior</p>  <p>Gray Paint Commercial application</p>	<p>Exterior</p>  <p>Black Epoxy Coating Commercial application</p>	<p>Exterior</p>  <p>Galvanized Industrial application * Only available with bar grating tread * Adds 2 weeks to standard lead time</p>



Product specifications and dimensions are approximate and for informational purposes only. Variations may occur due to design or manufacturing adjustments. For exact measurements, please confirm with our customer service before ordering. PWI reserves the right to modify specifications without notice.



Ship Stairs



Cranes

Cranes

Mezzanine

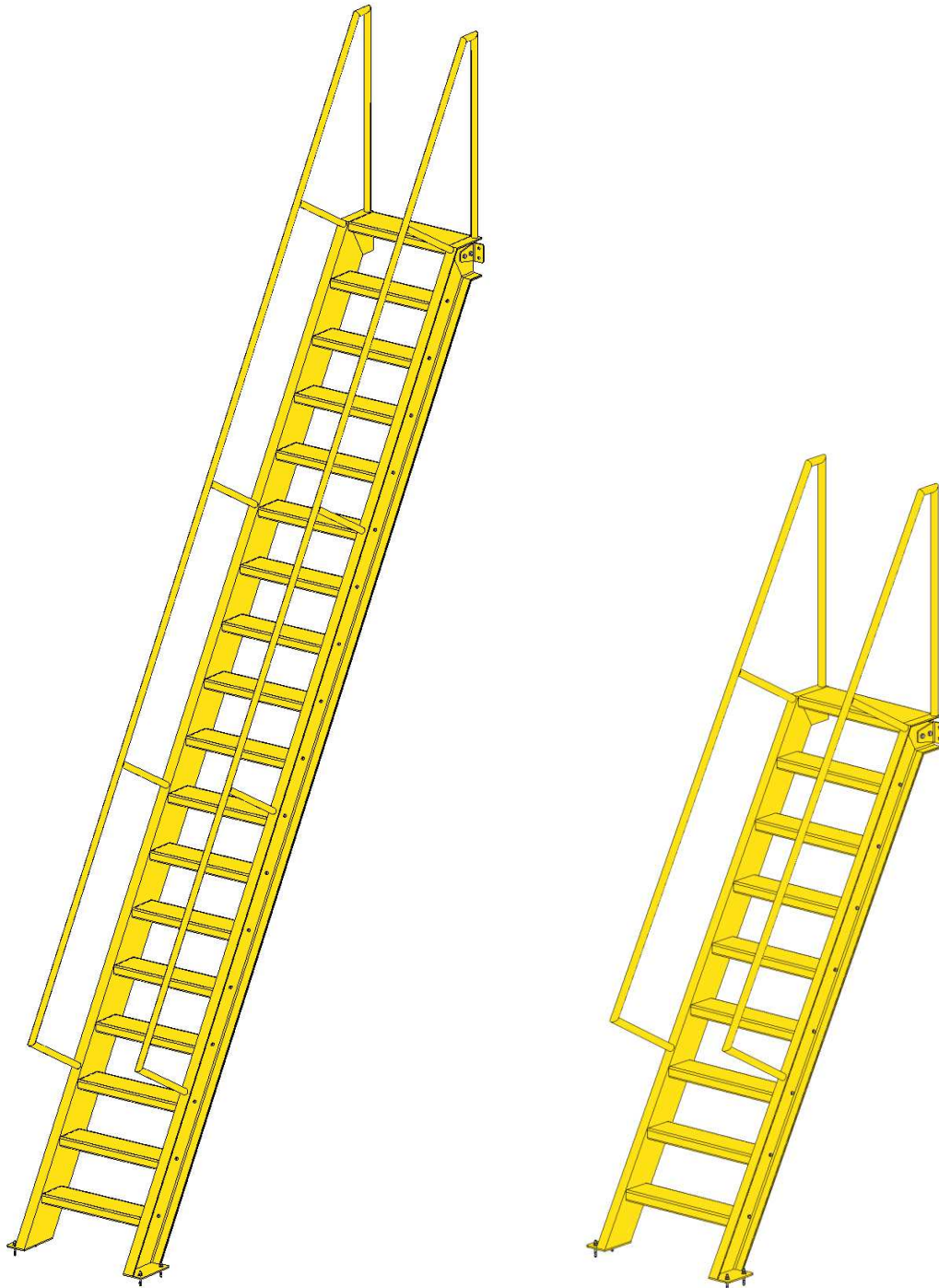
Mezzanine

Fall Protection

Fall Protection

Misc.

Misc.



Product specifications and dimensions are approximate and for informational purposes only. Variations may occur due to design or manufacturing adjustments. For exact measurements, please confirm with our customer service before ordering. PWI reserves the right to modify specifications without notice.



Ship Stairs



1910.25(e)

Ship stairs. In addition to paragraph (b) of this section, the employer must ensure ship stairs (see Figure D-9 of this section):

1910.25(e)(1)

Are installed at a slope of 50 to 70 degrees from the horizontal;

1910.25(e)(2)

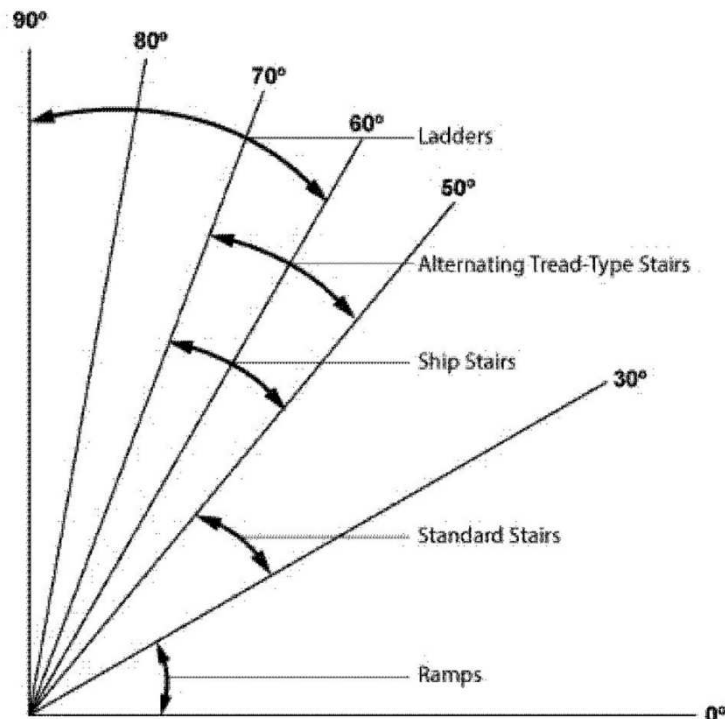
Have open risers with a vertical rise between tread surfaces of 6.5 to 12 inches (17 to 30 cm);

1910.25(e)(3)

Have minimum tread depth of 4 inches (10 cm); and

1910.25(e)(4)

Have a minimum tread width of 18 inches (46 cm).



Product specifications and dimensions are approximate and for informational purposes only. Variations may occur due to design or manufacturing adjustments. For exact measurements, please confirm with our customer service before ordering. PWI reserves the right to modify specifications without notice.



Cranes

Cranes

Mezzanine

Mezzanine

Fall Protection

Fall Protection

Misc.

Misc.

Ship Stairs



Cranes

Mezzanine

Fall Protection

Misc.

Cranes

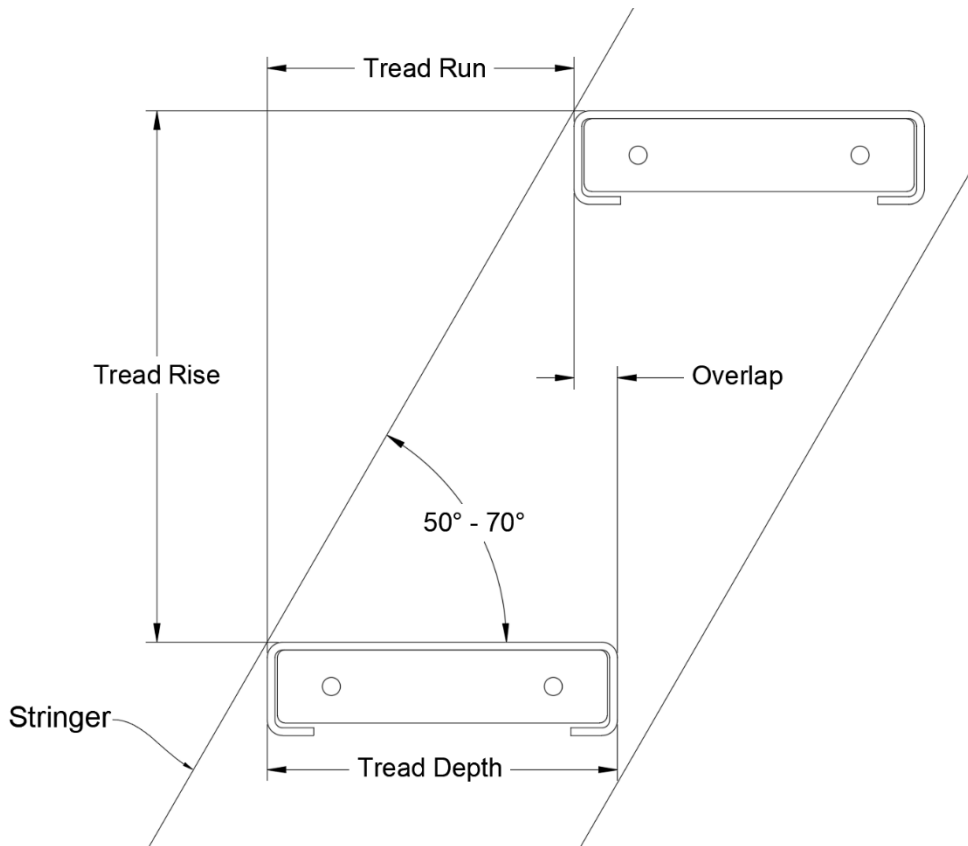
Mezzanine

Fall Protection

Misc.

OSHA Ship Stairs Specs:	
OSHA Degree Range:	50° - 70°
OSHA Tread Rise:	6.5" – 12"
OSHA Minimum Tread Run:	4"
OSHA Minimum Tread Width:	18"

PWI Ship Stairs Guidelines:	
Target Degree:	65°
Max Landing Height:	240"
Tread Rise Max:	11"
Minimum Tread Run:	5.25"
Minimum Tread Width:	18"
Max Tread Width:	36"
Tread Depth:	Tread Run + .5" as possible.
Overlap:	.5" as possible.



Product specifications and dimensions are approximate and for informational purposes only. Variations may occur due to design or manufacturing adjustments. For exact measurements, please confirm with our customer service before ordering. PWI reserves the right to modify specifications without notice.



Ladder



Cranes

Cranes

Mezzanine

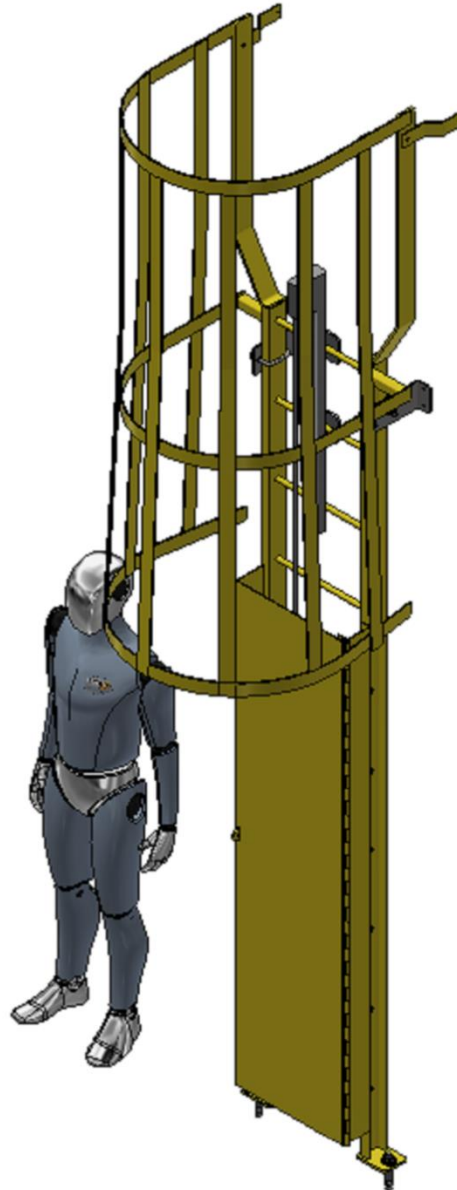
Mezzanine

Fall Protection

Fall Protection

Misc.

Misc.



Product specifications and dimensions are approximate and for informational purposes only. Variations may occur due to design or manufacturing adjustments. For exact measurements, please confirm with our customer service before ordering. PWI reserves the right to modify specifications without notice.



Columns



Product Description

- 5 different types of columns are used for a variety of applications:
- Cranes
- Mezzanines
- Fall Protection

Cranes

Cranes

Mezzanine

Mezzanine

Fall Protection

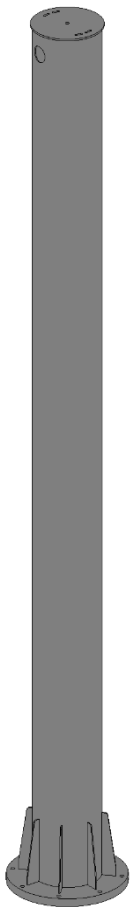
Fall Protection

Misc.

Misc.

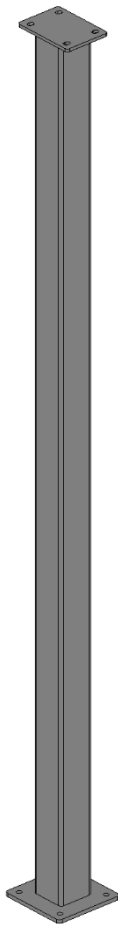
Gusseted Pipe

Unbraced
2 Tone Paint



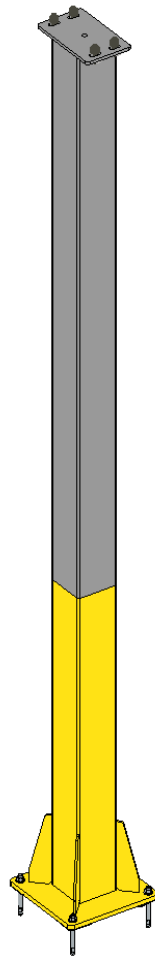
Tube

Braced
2 Tone Paint



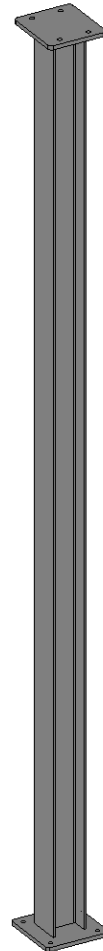
Gusseted Tube

Unbraced
2 Tone Paint



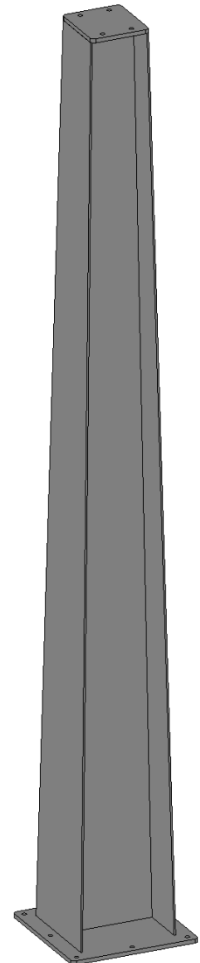
W Beam

Braced



Tapered Beam

Unbraced



Product specifications and dimensions are approximate and for informational purposes only. Variations may occur due to design or manufacturing adjustments. For exact measurements, please confirm with our customer service before ordering. PWI reserves the right to modify specifications without notice.



Column Footing



Product Description

For high-capacity crane systems or mezzanines, footers are necessary to support the columns. Using a variety of structural calculation software, PWI ensures safety while keeping the footprint as small as possible.

Engineering Notes:

THE ENGINEER HAS ASSUMED 3000 PSF SOIL BEARING.
THE OWNER IS RESPONSIBLE FOR ANY INFORMATION THAT WOULD AFFECT THIS ASSUMPTION.

ALL CONCRETE POURED WITH A SLUMP OF FOUR.

CONCRETE TO BE 3000 PSI IN 28 DAYS AND WORK IS TO CONFORM CRSI AND PSA SPECIFICATIONS.

ANY FILL MATERIAL UNDER BEARING LOCATIONS TO BE COMPACTED TO 100% STD. PROCTOR AND OF APPROVED MATERIAL.

ANY FILL MATERIAL REQUIRED AT OTHER LOCATIONS TO BE COMPACTED TO 95% MODIFIED PROCTOR AND MEET PCA RECOMMENDATIONS, OR PER SOIL INVESTIGATION REPORT.

ALL REINFORCING STEEL TO BE GRADE 60 PER ASTM SPECIFICATIONS.

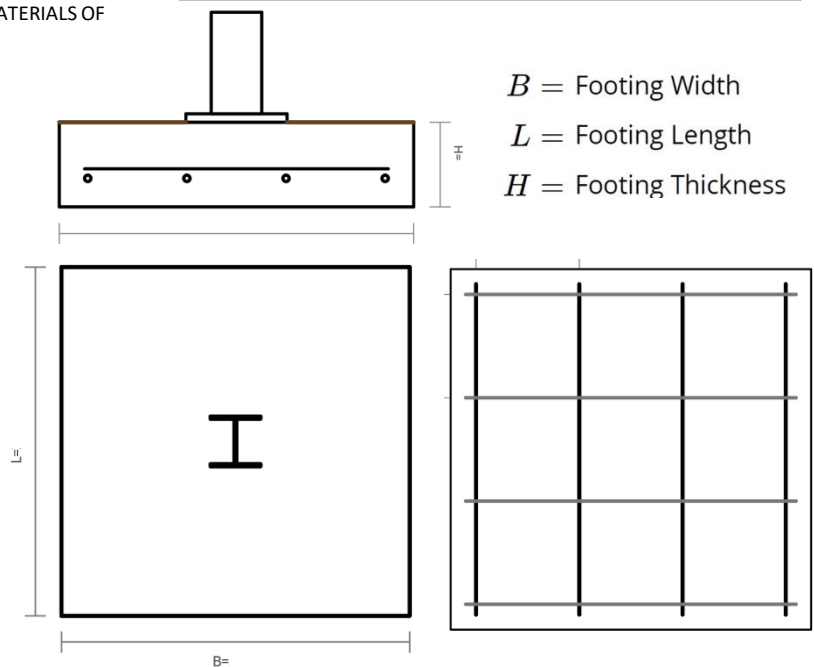
EXPANSIONS JOINTS AND CONTROL JOINTS TO BE PLACED AS RECOMMENDED BY SCI, CRS, PCA, ACSI, LOCAL CODES, AND THE STEEL BUILDING MANUFACTURER.

ALL UNSPECIFIED CONSTRUCTION TO MEET ALL STATE AND LOCAL CODE REQUIREMENTS.

ALL MATERIALS MUST BE APPROVED AND LISTED FOR THEIR INTENDED USE.

ALL MATERIALS LISTED MAY BE SUBSTITUTED WITH APPROVED MATERIALS OF EQUAL OR BETTER QUALITY.

Footer Size (ft)	Kips	Thickness (in.)	3/4" (#6) Rebar
L / B		H	Qty.
3.0	25	12	3
3.5	34	12	4
4.0	44	12	4
4.5	53	12	5
5.0	68	14	5
5.5	82	14	6
6.0	98	16	6
6.5	115	17	7
7.0	130	18	8
8.0	168	21	9
9.0	212	23	11
10.0	260	26	13



Product specifications and dimensions are approximate and for informational purposes only. Variations may occur due to design or manufacturing adjustments. For exact measurements, please confirm with our customer service before ordering. PWI reserves the right to modify specifications without notice.



Cranes

Mezzanine

Fall Protection

Misc.

Cranes

Mezzanine

Fall Protection

Misc.

Product Description

- Column Anchors

Product Features

- Wedge Anchor
 - Post-installed anchor
 - Used for light duty applications
- Screw Anchor
 - Post-installed anchor
 - Used for light duty applications
- Epoxy Anchor
 - Post-installed anchor
 - Used for light duty applications
- CIP Anchor
 - Type A: L Anchor
 - Type F: Square Plate Washer
 - Cast-in-place anchor installed into wet concrete
 - Used for heavy duty applications or when large embedment depths are required

Wedge



Screw



Epoxy



CIP: A



CIP: F



Column Anchors



Cranes

Mezzanine

Fall Protection

Misc.

Cranes

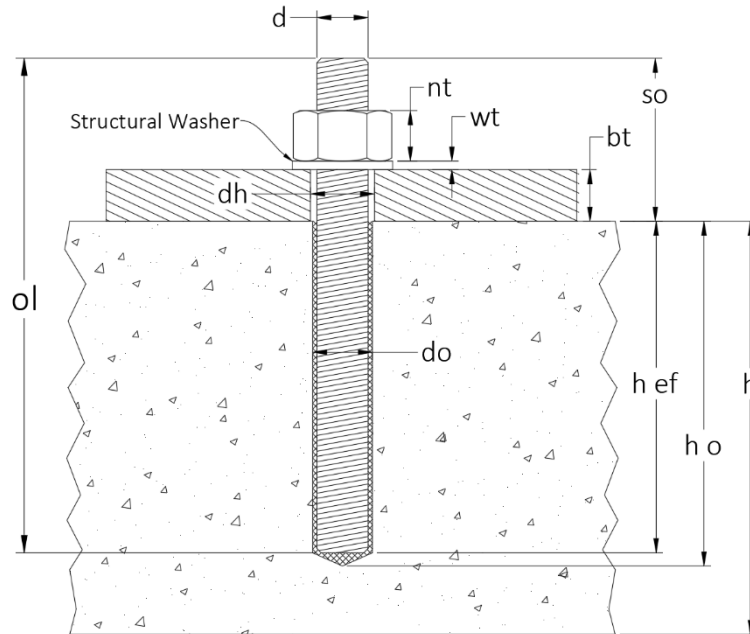
Mezzanine

Fall Protection

Misc.

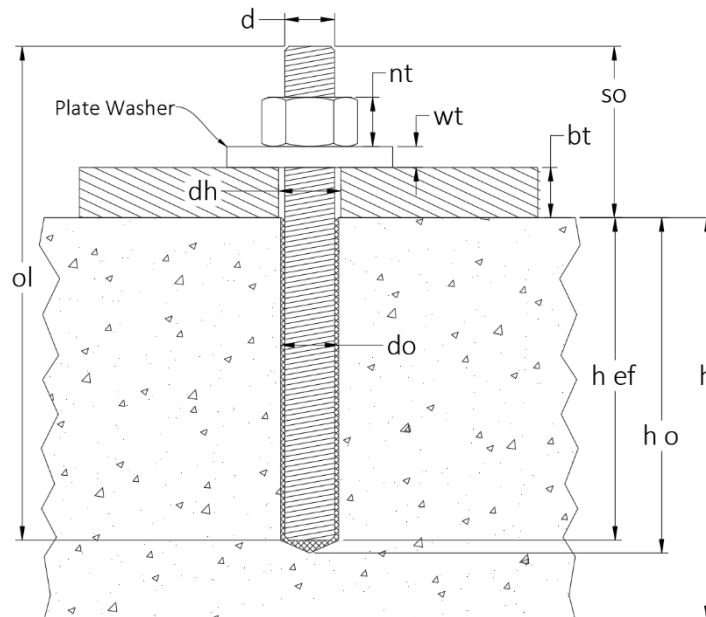
Form ID: EP1

Epoxy Anchor Specs



Form ID: EP2

Epoxy Anchor Specs



Product specifications and dimensions are approximate and for informational purposes only. Variations may occur due to design or manufacturing adjustments. For exact measurements, please confirm with our customer service before ordering. PWI reserves the right to modify specifications without notice.

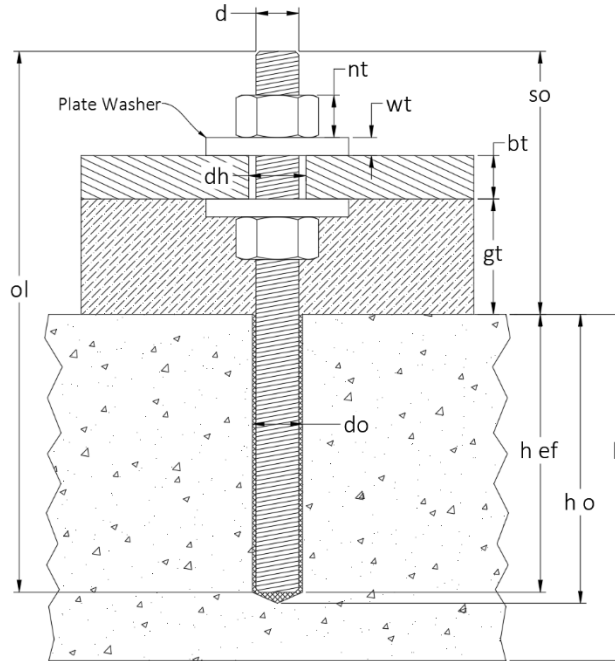


Column Anchors



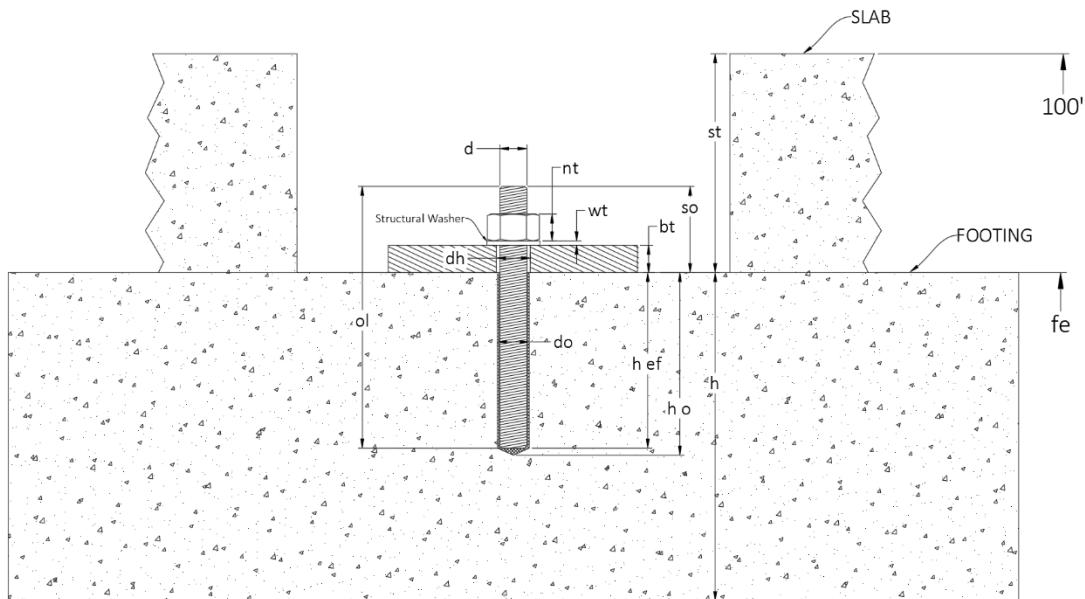
Form ID: EP3

Stand Off Epoxy Anchor Specs



Form ID: EP4

Recessed Epoxy Anchor Specs



Product specifications and dimensions are approximate and for informational purposes only. Variations may occur due to design or manufacturing adjustments. For exact measurements, please confirm with our customer service before ordering. PWI reserves the right to modify specifications without notice.



Cranes

Mezzanine

Fall Protection

Misc.

Cranes

Mezzanine

Fall Protection

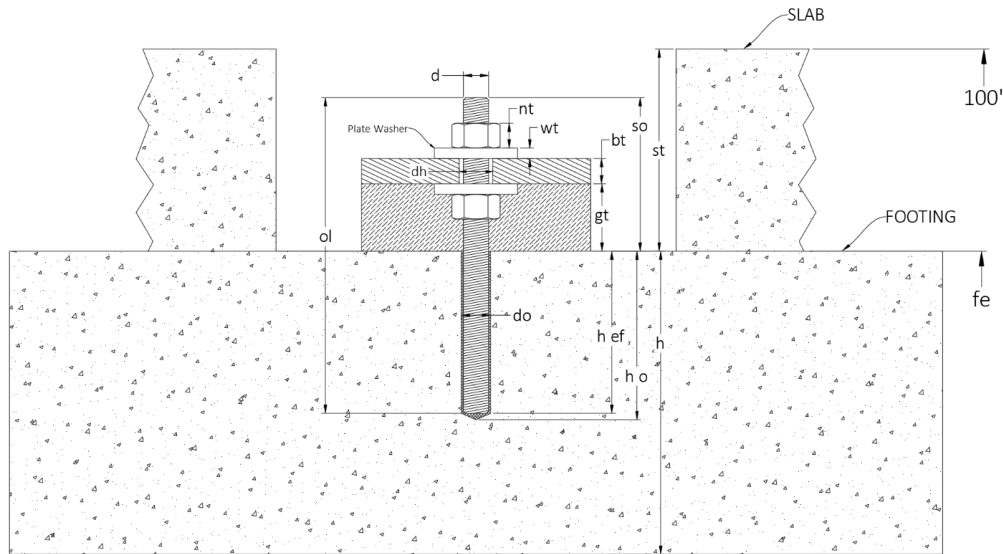
Misc.

Column Anchors



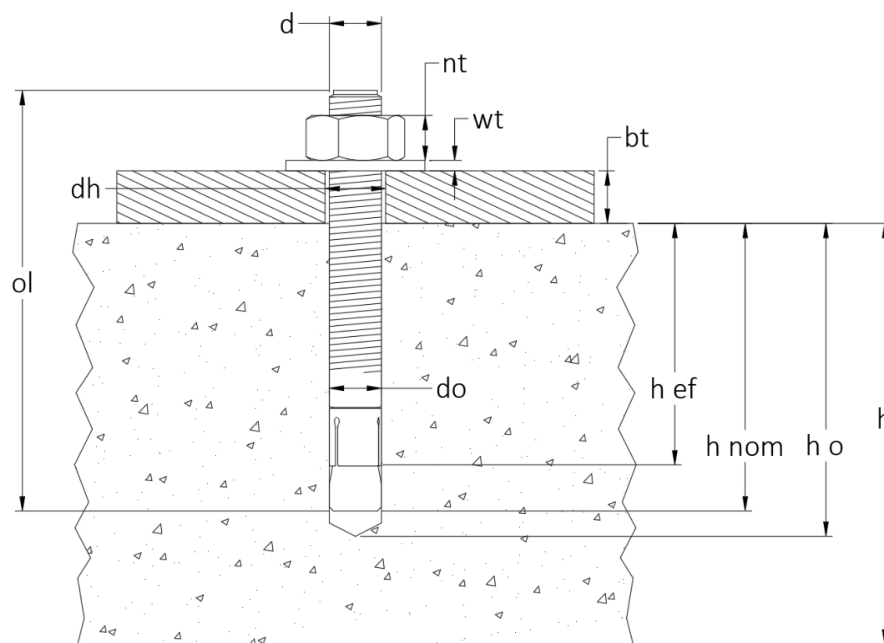
Form ID: EP5

Recessed Epoxy Stand Off Anchor Specs



Form ID: WE1

Wedge/Expansion Anchor Specs



Product specifications and dimensions are approximate and for informational purposes only. Variations may occur due to design or manufacturing adjustments. For exact measurements, please confirm with our customer service before ordering. PWI reserves the right to modify specifications without notice.



Cranes

Mezzanine

Fall Protection

Misc.

Cranes

Mezzanine

Fall Protection

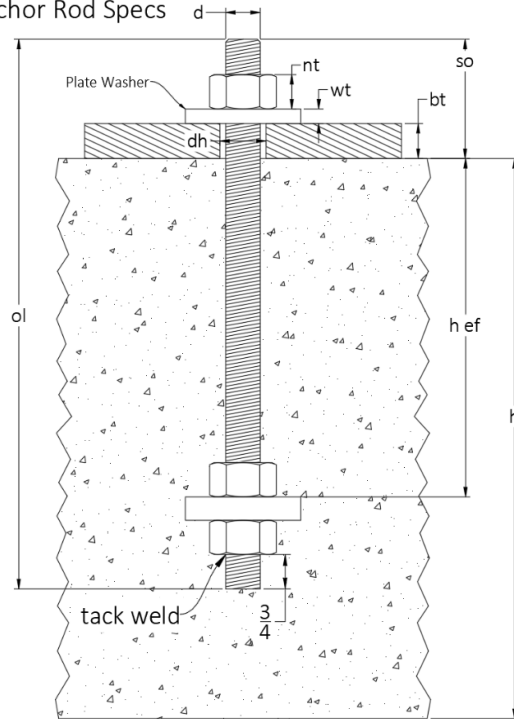
Misc.

Column Anchors



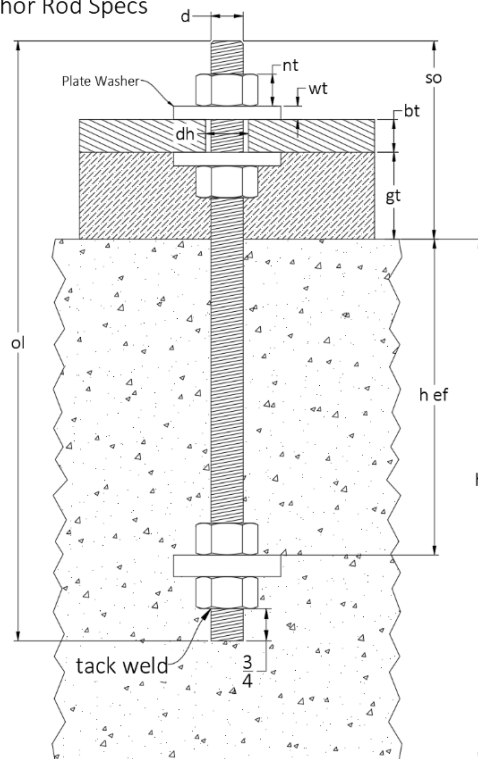
Form ID: AR1

Anchor Rod Specs



Form ID: AR2

Stand Off Anchor Rod Specs



Cranes

Cranes

Mezzanine

Mezzanine

Fall Protection

Fall Protection

Misc.

Misc.

Product specifications and dimensions are approximate and for informational purposes only. Variations may occur due to design or manufacturing adjustments. For exact measurements, please confirm with our customer service before ordering. PWI reserves the right to modify specifications without notice.

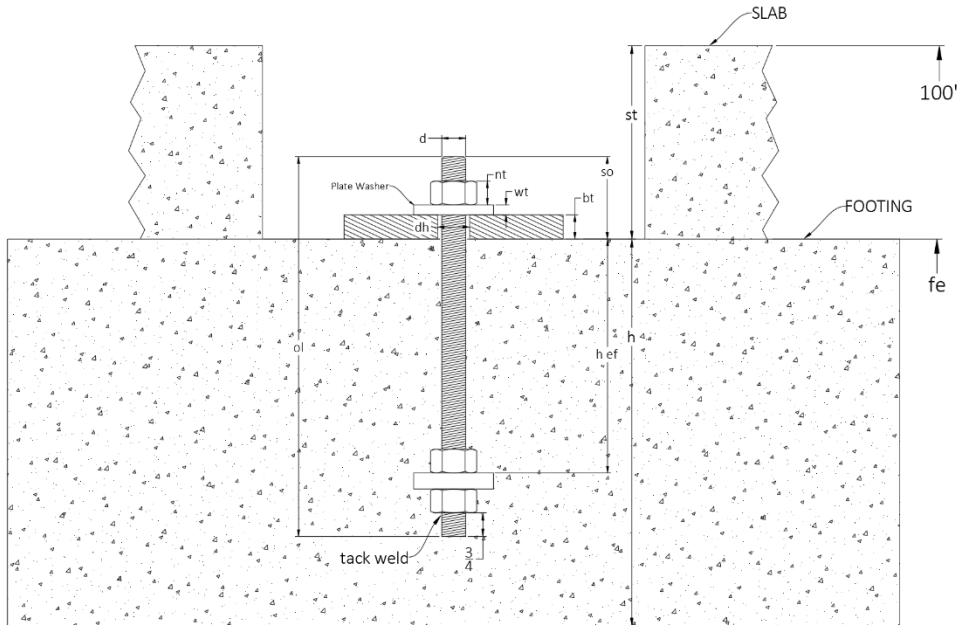


Column Anchors



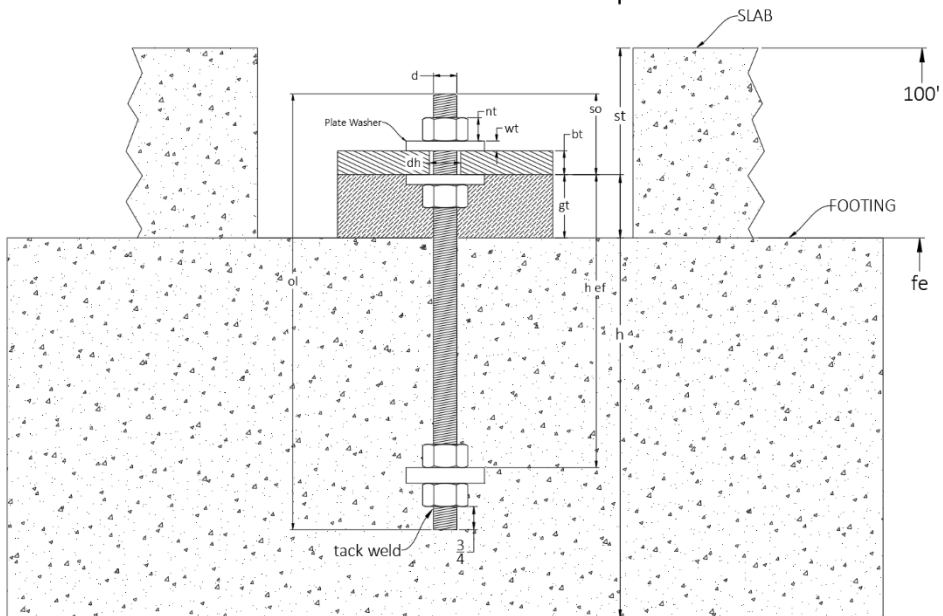
Form ID: AR3

Recessed Anchor Rod Specs



Form ID: AR4

Recessed Stand Off Anchor Rod Specs



Product specifications and dimensions are approximate and for informational purposes only. Variations may occur due to design or manufacturing adjustments. For exact measurements, please confirm with our customer service before ordering. PWI reserves the right to modify specifications without notice.



Cranes

Cranes

Mezzanine

Mezzanine

Fall Protection

Fall Protection

Misc.

Misc.

Column Grout



Grout Installation: If the steel column is already fixed with setting nuts, and a wood form is used to contain the grout during the installation process, the procedure can be adjusted as follows:

Materials and Tools Needed:

- Non-shrink grout
- Steel column with setting nuts
- Wood formwork
- Clean water
- Mixing container or mixer
- Trowel
- Shims
- Level
- Measuring tape
- Safety gear (gloves, safety glasses, and dust mask)

Procedure:

1. Preparation:

- Ensure the steel column with setting nuts and the wood formwork are in place and properly aligned.
- Check the dimensions and layout of the base plate and verify that it is correctly positioned within the wood form.

2. Mixing the Non-Shrink Grout:

- Follow the manufacturer's instructions for the appropriate water-to-grout ratio.
- Place the non-shrink grout into a clean container or mixer.
- Gradually add water while mixing until you achieve a smooth, lump-free consistency. Do not overmix.

3. Placing the Wood Formwork:

- Set up the wood formwork around the base of the steel column to create a containment area for the grout.
- Ensure that the formwork is securely in place and that there are no gaps or leaks through which the grout could escape.

4. Pouring the Non-Shrink Grout:

- Carefully pour the mixed grout into the containment area created by the wood formwork.
- Work quickly but carefully to ensure the grout fills the space evenly and covers the setting nuts.
- A hopper or funnel may be helpful in this step.



Column Grout



Cranes

Cranes

5. Positioning the Steel Column Base Plate:

- Place the steel column base plate onto the freshly poured grout within the wood form.
- Ensure that it is properly aligned with the setting nuts and the formwork.
- Use a level to confirm that the base plate is level in all directions.

6. Shimming (if necessary):

- Use shims as needed to make precise adjustments to the position and level of the base plate.
- Insert shims under the base plate until it is perfectly level.
- Or use setting nuts to adjust column to confirm it is level and at the correct elevation.

7. Curing:

- Allow the grout to cure according to the manufacturer's recommendations. This may involve keeping the area moist and covering it to prevent rapid drying.
- Curing time can vary, but typically it takes a few days to achieve full strength.

8. Final Inspection:

- After the grout has fully cured, check the base plate for any movement or settlement.
- Verify that the column base plate is securely in place and level.

9. Remove Wood Formwork:

- Carefully remove the wood formwork from around the grouted area.

10. Clean Up:

- Clean all tools and equipment promptly to prevent grout from hardening on them.

Before applying any load to the steel column base plate, you should wait until the grout has fully cured, and the final inspection confirms that it is secure and level. The loading list and specific loading requirements will depend on the project's engineering specifications and calculations. Always consult with a structural engineer or follow the project's design documentation for accurate guidance.

Mezzanine

Mezzanine

Fall Protection

Fall Protection

Misc.

Misc.



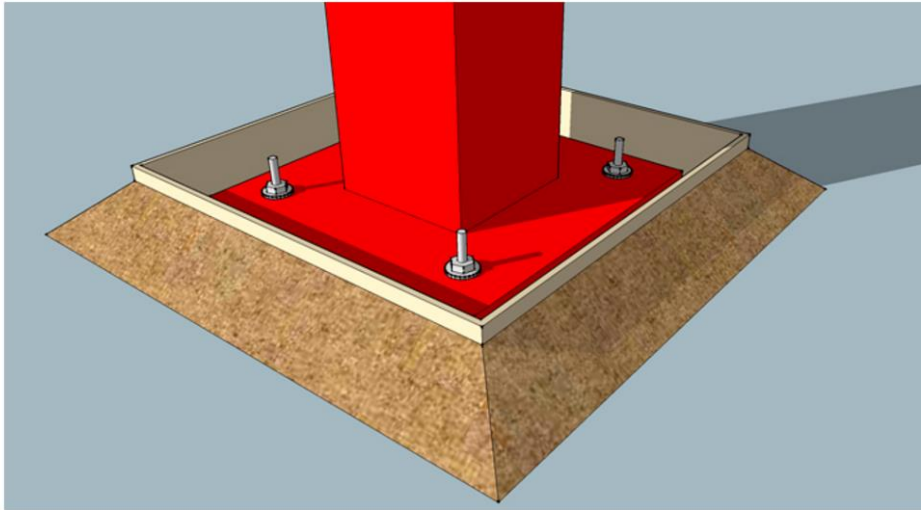
Product specifications and dimensions are approximate and for informational purposes only. Variations may occur due to design or manufacturing adjustments. For exact measurements, please confirm with our customer service before ordering. PWI reserves the right to modify specifications without notice.



Column Grout

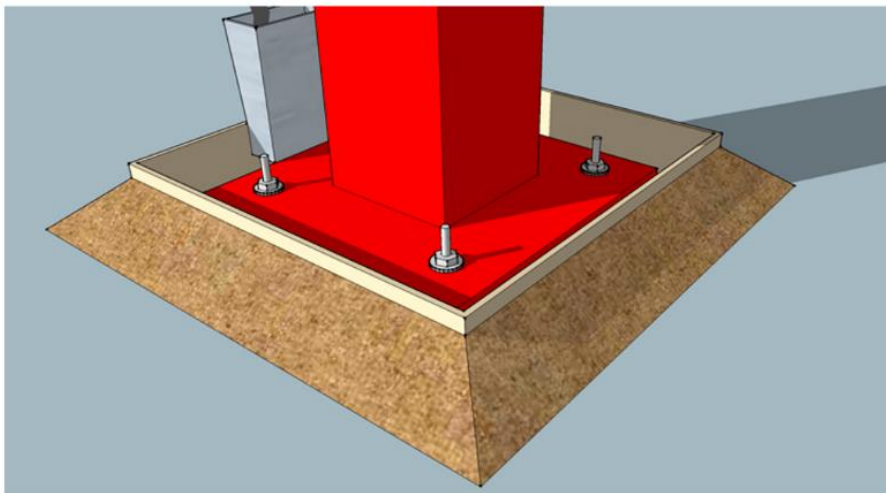


STEP 1 - CREATE A FORMWORK AROUND THE BASEPLATE



This can be done using timber with a sand haunching to keep it in place while the non-shrink grout is poured. Leave space around the perimeter, so the grout can be seen emerging from the opposite side and rise to the level required.

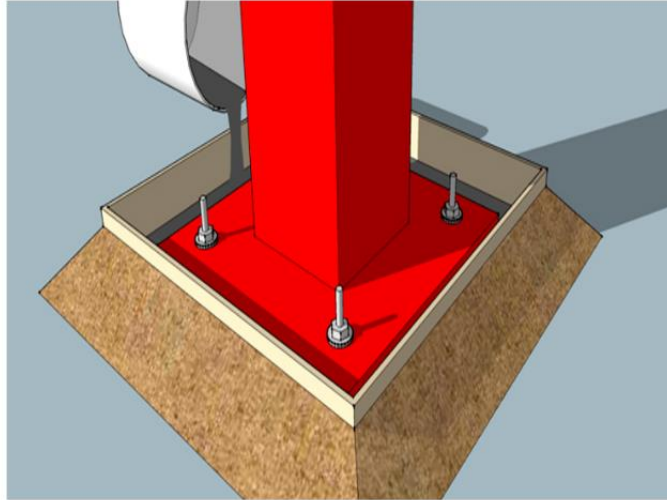
STEP 2 - USE A HOPPER AND POUR IN THE GROUT



Pour the non-shrink grout into a hopper. Do not move the hopper and pour from any other location, because this can lead to air-pockets forming beneath the plate, meaning the loading from the steel will not be transferred evenly to the structure beneath. A hopper is especially useful if the baseplate is large, and the non-shrink grout has to flow a long distance. It builds a head of pressure that forces the grout beneath the plate at an even rate.

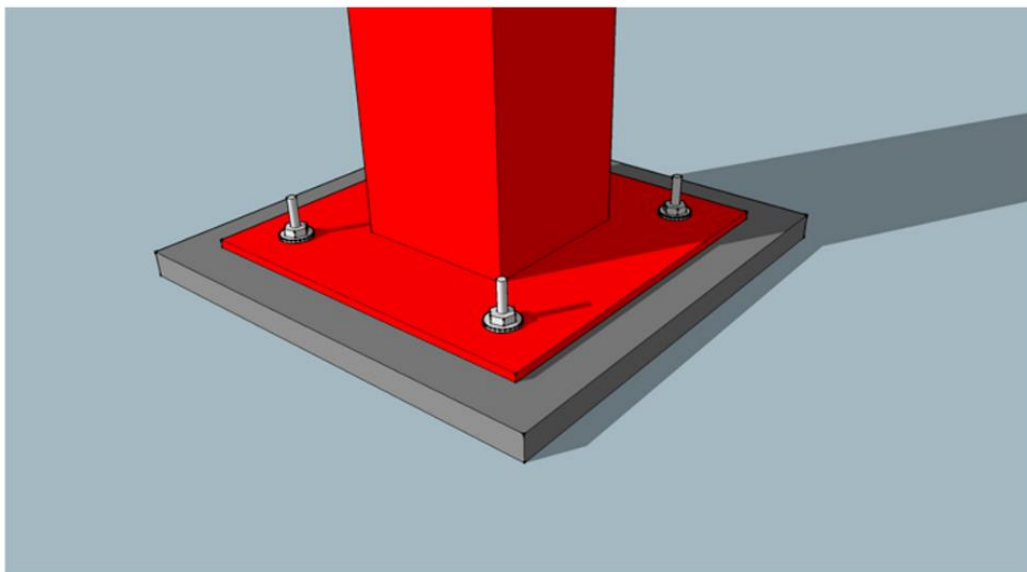


ALTERNATIVE STEP 2 - POUR THE GROUT DIRECTLY FROM THE MIXING VESSEL



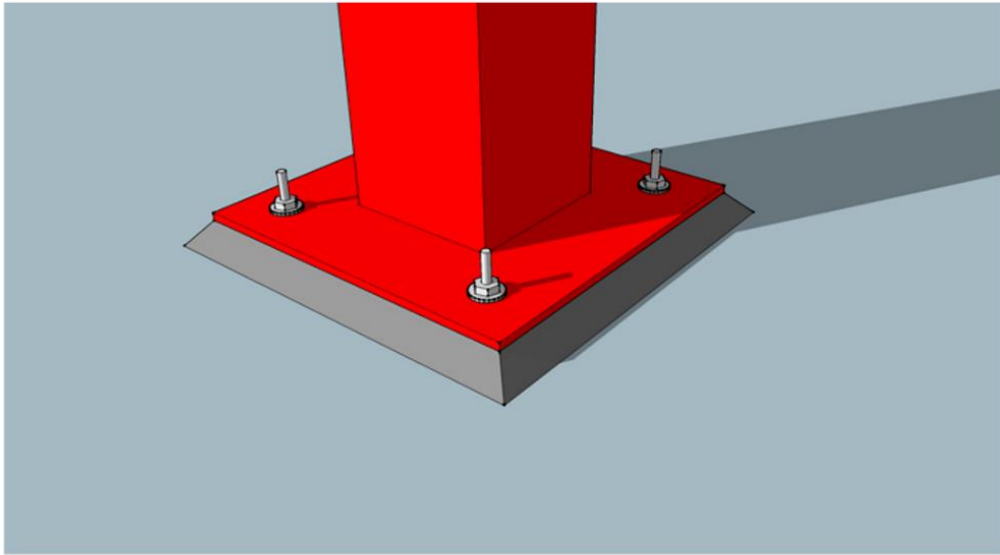
When pouring the non-shrink grout directly from the mixing vessel it is important to pour from one point only. Moving position while pouring can lead to air pockets forming beneath the baseplate. This means that load will not be transferred evenly through to the structure below.

STEP 3 - WAIT FOR NON-SHRINK GROUT TO GO OFF THEN REMOVE FORMWORK



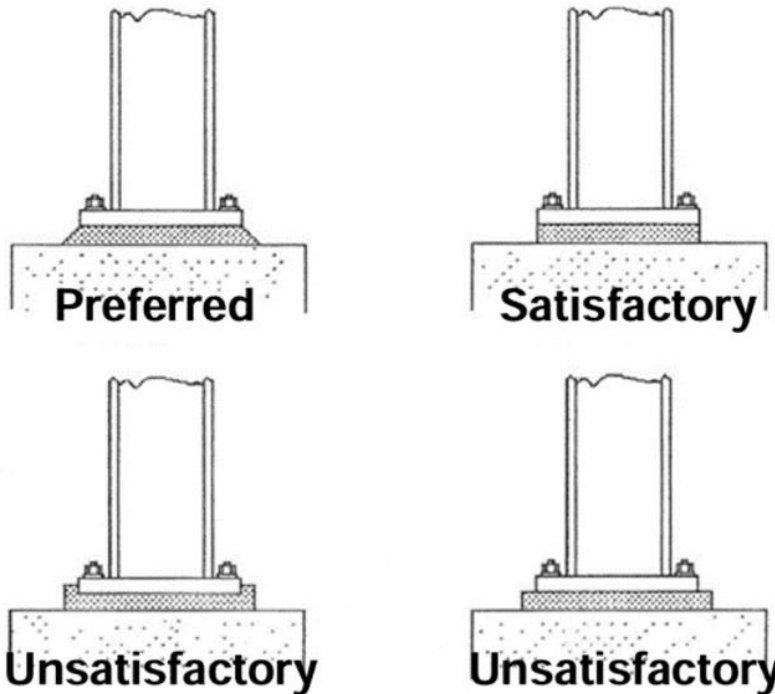
Once the non-shrink grout has gone off enough, remove the formwork.

STEP 4 - CHAMFER OFF CORNERS ON EXPOSED EDGES



Before the grout has gone off completely cut back the exposed corners to create a neat chamfer.

GROUT SHOULDER CONFIGURATIONS





NON-SHRINK GENERAL PURPOSE GROUT

PRODUCT NO. 1585-01, 1585-51

DIVISION 3

03 62 00 Non-Shrink Grouting

PRODUCT DESCRIPTION

QUIKRETE® Non-Shrink General Purpose Grout is a high-strength, non-metallic, non-shrink grout designed for grouting and general construction applications. It can be mixed to a fluid, flowable, or plastic consistency requiring only the addition of clean water.



PRODUCT USE

Typical applications for QUIKRETE® Non-Shrink General Purpose Grout include grouting of:

- Steel columns
- Bearing plates
- Precast concrete
- Keyway Grouting
- Other anchoring or void filling conditions that require high strength

The non-shrink characteristics of Non-Shrink General Purpose Grout make it stable and capable of handling high load transfers.

NOTE: This product is not for use in precision grouting of machinery. (For precision grouting of machinery use QUIKRETE® Non-Shrink Precision Grout No. 1585-00)

SIZES

- 50 lb (22.6 kg) bags

YIELD

- Each 50 lb (22.6 kg) bag will yield 0.45 ft³ (12.7 L) at flowable consistency

TECHNICAL DATA

APPLICABLE STANDARDS

- ASTM C109 Standard Test Method for Compressive Strength of Hydraulic Cement Mortars (Using 2-in. or [50-mm] Cube Specimens)
- ASTM C827 Standard Test Method for Change in Height at Early Ages of Cylindrical Specimens of Cementitious Mixtures
- ASTM C939 Standard Test Method for Flow of Grout for Preplaced-Aggregate Concrete (Flow Cone Method)
- ASTM C1090 Standard Test Method for Measuring Changes in Height of Cylindrical Specimens from Hydraulic-Cement Grout
- ASTM C1107 Standard Specification for Packaged Dry, Hydraulic-Cement Grout (Nonshrink)
- ASTM C1437 Standard Test Method for Flow of Hydraulic Cement Mortar
- US Army Corps of Engineers (COE) CRD-C 621 Specification for Non-Shrink Grout

- ICRI Guideline No. 310.2R Selecting and Specifying Concrete Surface Preparation for Sealers, Coatings, Polymer Overlays, and Concrete Repair
- ACI 305R Guide to Hot Weather Concreting
- ACI 306R Guide to Cold Weather Concreting

PHYSICAL/CHEMICAL

QUIKRETE® Non-Shrink General Purpose Grout complies with the physical requirements of ASTM C1107 and CRD 621. Typical results obtained for QUIKRETE® Non-Shrink General Purpose Grout, when tested at 73.5 °F ± 3.5 °F (23.0 °C ± 2.0 °C), are shown in Table 2.

INSTALLATION

SURFACE PREPARATION

Wear the appropriate personal protective equipment. All grouting surfaces should be clean and free of foreign substances including corrosion, if present on steel. Remove all spalled areas and areas of unsound concrete. Preparation work done on the grouting surfaces should be completed by high pressure water blast, breaker, hammer, or other appropriate mechanical means to obtain a properly prepared surface. Saturate repair area with clean water before grouting to ensure SSD condition. No standing water should be left in the repair area. Refer to current ICRI Guide 310.2R for additional surface preparation information.

MIXING

WEAR IMPERVIOUS GLOVES, such as nitrile when handling product. QUIKRETE® Non-Shrink General Purpose Grout should be mechanically mixed for a minimum of 3 minutes using a 5 gallon (19 L) bucket with a ½ in (13 mm) drill and paddle mixer. For larger applications, a standard mortar mixer may be used. Add only enough water to achieve the preferred consistency listed in Table 2. Add the powder to the water and mix to a lump free consistency. Typical starting water contents can be found in Table 1.

APPLICATION

WEAR IMPERVIOUS GLOVES, such as nitrile when handling product. Place the grout quickly and continuously using proper consolidation techniques when possible (i.e. light rodding, vibrating, tamping, etc.) to

Column Grout



Cranes

Mezzanine

Fall Protection

Misc.

Cranes

Mezzanine

Fall Protection

Misc.

eliminate air bubbles. The typical application depth of QUIKRETE® Non-Shrink General Purpose Grout is up to 3 inches (75 mm). For applications over 3 inches (75 mm) in depth, it is preferable to extend the product with high quality 3/8 in (9.5 mm) pea gravel, at a rate of approximately 25 pounds (11.3 kg) of gravel per 50 pound (22.6 kg) bag of QUIKRETE® Non-Shrink General Purpose Grout. For many applications, it may be placed up to 6 inches (150 mm) in depth without the extension. When placing at depths over 3 inches (75 mm) and the surface area is over 2 ft² (0.19 m²), the product should be extended. For all these applications, care should be taken to not overwater, which may cause segregation.

CURING

A damp cure of at least 3 days is necessary to control the non-shrink characteristics and maintain strength levels.

PRECAUTIONS

- Additions of cement or other materials will eliminate the designed product qualities
- Water quantities may be affected by temperature, mixing method and batch size
- QUIKRETE® Non-Shrink General Purpose Grout should not be re-tempered
- Mix no more grout than can be placed in 25 minutes
- Follow ACI 305R when using product in hot weather
- Follow ACI 306R when using product in cold weather
- Use a consistent water temperature when mixing multiple batches, to prevent performance fluctuations

TABLE 1 TYPICAL WATER DEMAND PER 50 lb (22.6 kg) BAG

Consistency	Volume
Plastic	4-1/2 qt (4.3 L)
Flowable	5 qt (4.7 L)
Fluid	5-1/2 qt (5.2 L)

SAFETY

IMPORTANT: Read Safety Data Sheet carefully before using. **WEAR IMPERVIOUS GLOVES**, such as nitrile, mask, and eye protection.

DANGER: Causes sever skin burns and serious eye damage. Prolonged or repeated inhalation of dust may cause lung damage or cancer.

KEEP OUT OF REACH OF CHILDREN

SHELF LIFE

12 months from date of manufacture as long as the undamaged package is stored in a dry location that is protected from moisture, and out of direct sunlight.

WARRANTY

NOTICE: Obtain the applicable **LIMITED WARRANTY** at www.quikrete.com/product-warranty or send a written request to The Quikrete Companies, LLC, Five Concourse Parkway, Atlanta, GA 30328, USA. Manufactured by or under the authority of The Quikrete Companies, LLC. © 2022 Quikrete International, Inc.

TABLE 2 TYPICAL PHYSICAL PROPERTIES AT 73.5 °F (23 °C)

Consistency	Plastic
Flow @ 5 Drops, ASTM C1437	100 to 125%
Compressive Strength, ASTM C109 (Modified)	
Age	PSI (MPa)
1 day	3000 (20.6)
3 days	5500 (37.9)
7 days	7000 (48.2)
28 days	9000 (62.0)
Height change, ASTM C1090	
@ 1, 3, 7 & 28 days	0.0 to 0.2%
Height change, ASTM C827	0%
Consistency	Flowable
Flow @ 5 Drops, ASTM C1437	125 to 145%
Compressive Strength, ASTM C109 (Modified)	
Age	PSI (MPa)
1 day	2500 (17.2)
3 days	4500 (31.0)
7 days	6500 (44.8)
28 days	8000 (55.1)
Height change, ASTM C1090	
@ 1, 3, 7 & 28 days	0.0 to 0.2%
Height change, ASTM C827	0.3%
Consistency	Fluid
Flow, ASTM C939	20 to 30 seconds
Compressive Strength, ASTM C109 (Modified)	
Age	PSI (MPa)
1 day	2000 (13.7)
3 days	3500 (24.1)
7 days	5500 (37.9)
28 days	7000 (48.2)
Height change, ASTM C1090	
@ 1, 3, 7 & 28 days	0.0 to 0.2%
Height change, ASTM C827	0.8%



Product specifications and dimensions are approximate and for informational purposes only. Variations may occur due to design or manufacturing adjustments. For exact measurements, please confirm with our customer service before ordering. PWI reserves the right to modify specifications without notice.



Product Description

- Vertical Reciprocating Conveyers (VRC) are a great option that PWI offers to load/unload your mezzanine. The location of these VRCs is crucial to your facility's overall efficiency

Carriage Sizes:

- [5' x 5'](#)
- [6' x 6'](#)
- [5' x 10'](#)
- [6' x 10'](#)
- [8' x 10'](#)
- [8' x 22'](#)
- [10' x 10'](#)
- [10' x 20'](#)



Vertical Reciprocating Conveyors

Cranes

Cranes

Mezzanine

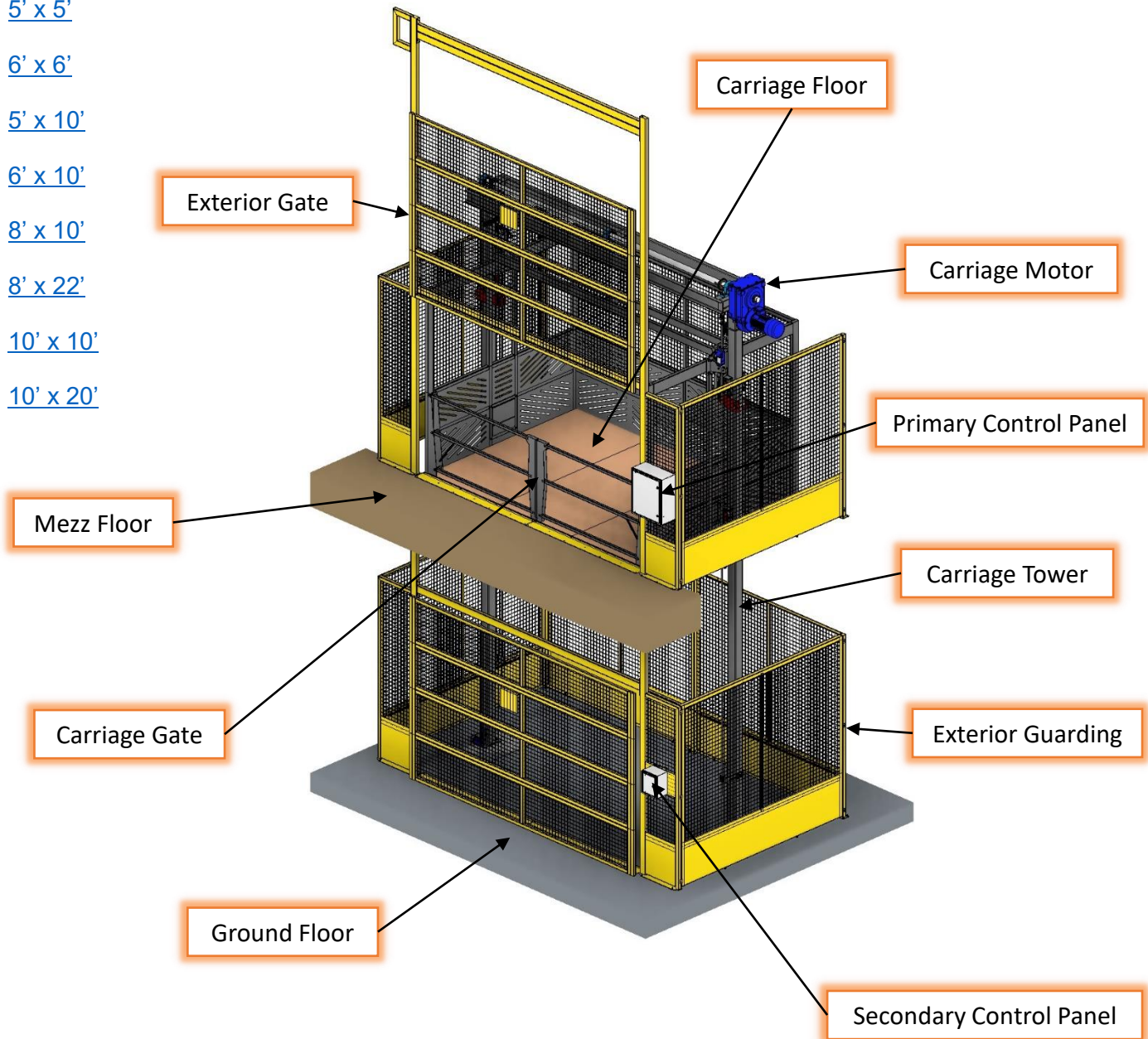
Mezzanine

Fall Protection

Fall Protection

Misc.

Misc.



Product specifications and dimensions are approximate and for informational purposes only. Variations may occur due to design or manufacturing adjustments. For exact measurements, please confirm with our customer service before ordering. PWI reserves the right to modify specifications without notice.



Product Description

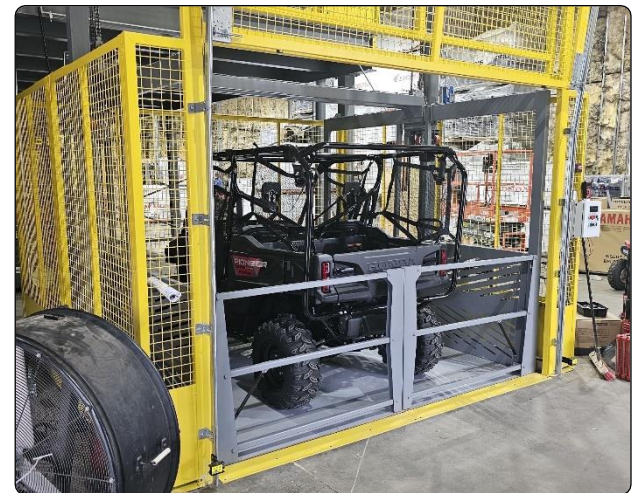
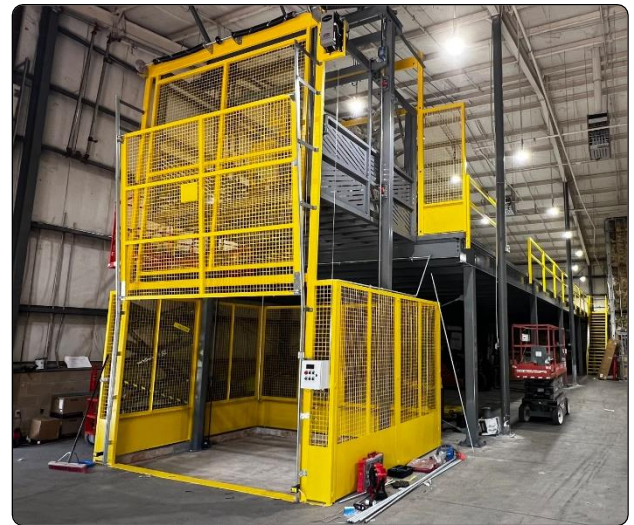
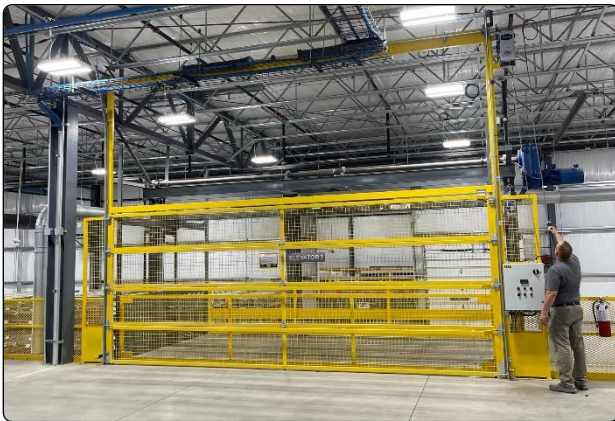
- Vertical Reciprocating Conveyers (VRC) are a great option that PWI offers to load/unload your mezzanine. The location of these VRCs is crucial to your facility's overall efficiency

Product Features

- Multiple Sizes
- Safety Options: Gate Sensors, Upper limit/ Lower limit, Guarding to prevent pinch points
- Operation from Mezzanine level or ground level
- Safety load arrestor system



Vertical Reciprocating Conveyors



Cranes

Cranes

Mezzanine

Mezzanine

Fall Protection

Fall Protection

Misc.

Misc.

Product specifications and dimensions are approximate and for informational purposes only. Variations may occur due to design or manufacturing adjustments. For exact measurements, please confirm with our customer service before ordering. PWI reserves the right to modify specifications without notice.

VRC Control Panel



Secondary Control Panel



Product Description

- The VRC Control Panels are multifunctional.

Product Features

- E Stop Button
- Up/Down Carriage Buttons
- Open/Close Door Buttons
- Power On Indication Safety Button
- Dan Foss VFD for precise speed programming
- Green Live Load Display

Primary Control Panel



Product specifications and dimensions are approximate and for informational purposes only. Variations may occur due to design or manufacturing adjustments. For exact measurements, please confirm with our customer service before ordering. PWI reserves the right to modify specifications without notice.



VRC Carriage Gate Options

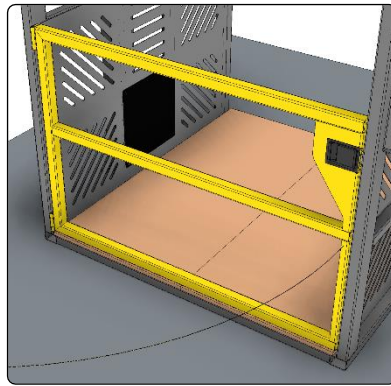


Product Description

- Gates ensure that your product is safely transported onto and off your mezzanine.

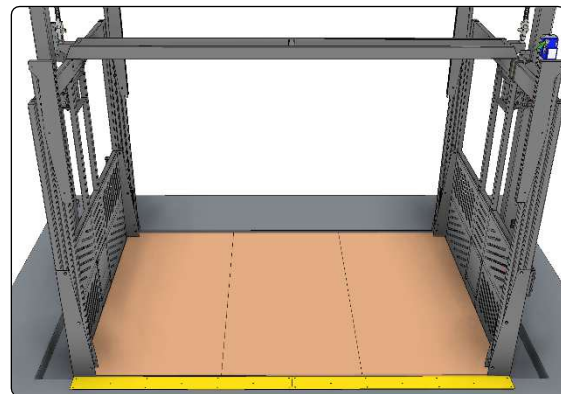
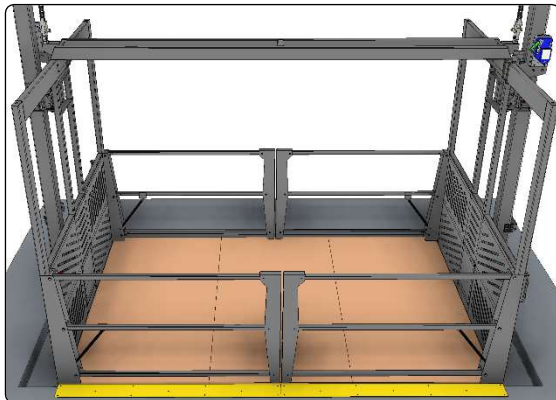
Swing Gate

- Max Opening: 6'
- Latch System



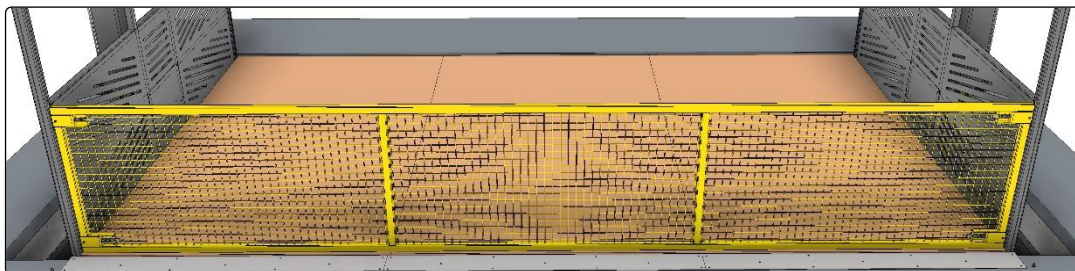
Rail Rod Gate

- Max Opening: 12'
- Air Assist Cylinders



Vertical Gate

- Max Opening: 20'
- Motorized Opener
- Starke 300 Series Track



VRC Exterior Gate Options

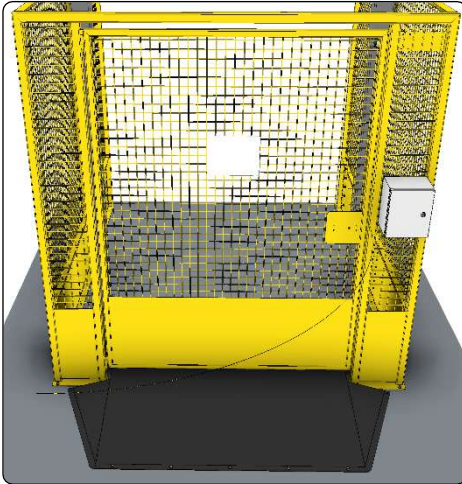


Product Description

- Gates ensure that your product is safely transported onto and off your mezzanine.

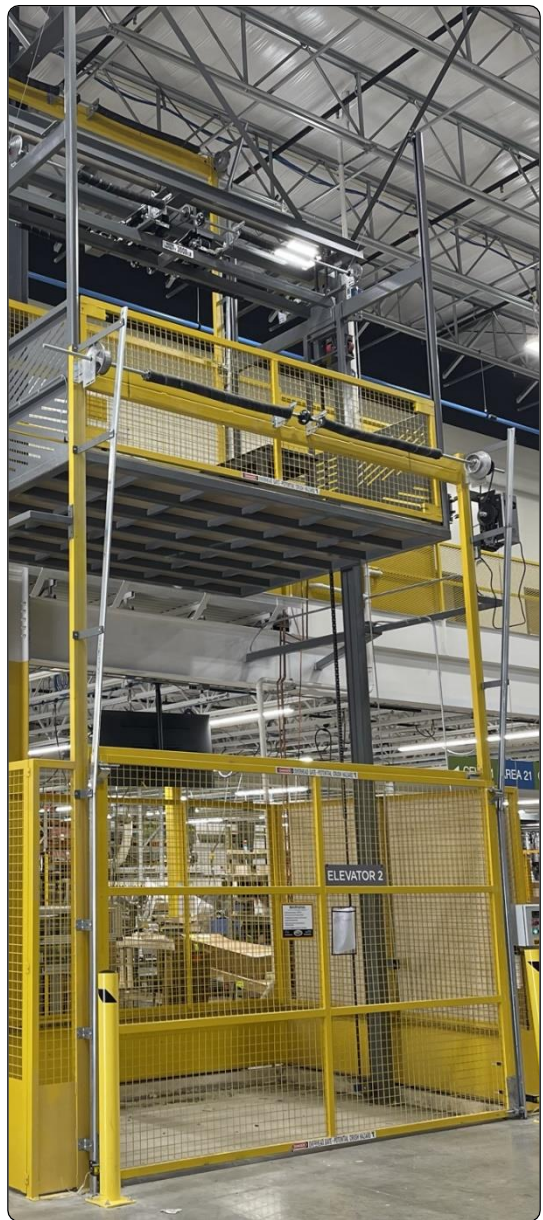
Swing Gate

- Max Opening: 6'
- Latch System



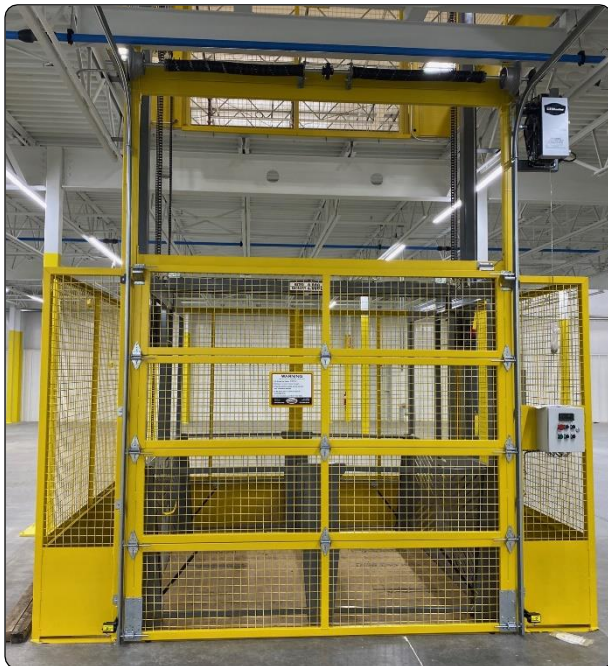
Single Panel Vertical Gate

- Max Opening: 20'
- Motorized Opener
- Garage Door Track



Multi Panel Vertical Gate

- Max Opening: 20'
- Motorized Opener
- Garage Door Track



Product specifications and dimensions are approximate and for informational purposes only. Variations may occur due to design or manufacturing adjustments. For exact measurements, please confirm with our customer service before ordering. PWI reserves the right to modify specifications without notice.



VRC Pit and Footer



Product Description

Footers are necessary to support the VRC column loads. The Pit of the VRC allows for the carriage to be loaded/unloaded flush with the factory floor.

Engineering Notes:

THE ENGINEER HAS ASSUMED 3000 PSF SOIL BEARING.
THE OWNER IS RESPONSIBLE FOR ANY INFORMATION THAT WOULD AFFECT THIS ASSUMPTION.

ALL CONCRETE POURED WITH A SLUMP OF FOUR.

CONCRETE TO BE 3000 PSI IN 28 DAYS AND WORK IS TO CONFORM CRSI AND PSA SPECIFICATIONS.

ANY FILL MATERIAL UNDER BEARING LOCATIONS TO BE COMPACTED TO 100% STD. PROCTOR AND OF APPROVED MATERIAL.

ANY FILL MATERIAL REQUIRED AT OTHER LOCATIONS TO BE COMPACTED TO 95% MODIFIED PROCTOR AND MEET PCA RECOMMENDATIONS, OR PER SOIL INVESTIGATION REPORT.

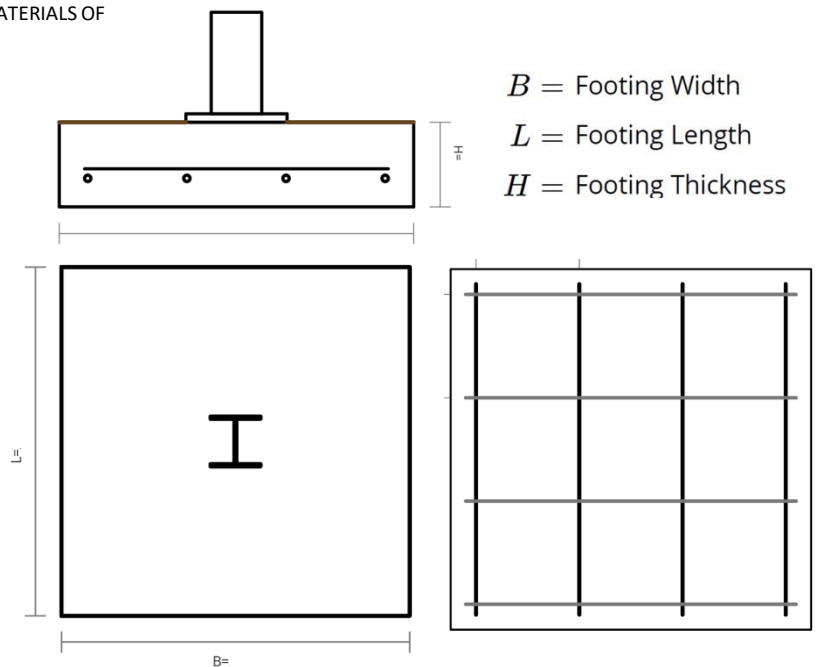
ALL REINFORCING STEEL TO BE GRADE 60 PER ASTM SPECIFICATIONS.

EXPANSIONS JOINTS AND CONTROL JOINTS TO BE PLACED AS RECOMMENDED BY SCI, CRS, PCA, ACSI, LOCAL CODES, AND THE STEEL BUILDING MANUFACTURER.

ALL UNSPECIFIED CONSTRUCTION TO MEET ALL STATE AND LOCAL CODE REQUIREMENTS.

ALL MATERIALS MUST BE APPROVED AND LISTED FOR THEIR INTENDED USE.

ALL MATERIALS LISTED MAY BE SUBSTITUTED WITH APPROVED MATERIALS OF EQUAL OR BETTER QUALITY.



Cranes

Cranes

Mezzanine

Mezzanine

Fall Protection

Fall Protection

Misc.

Misc.

VRC Entrance Configurations



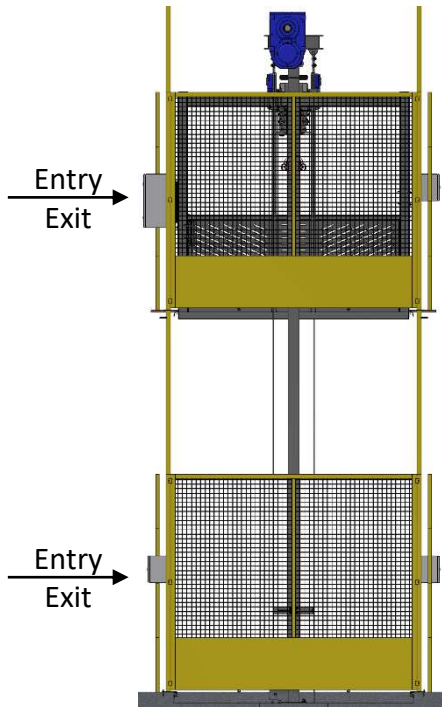
Cranes

Mezzanine

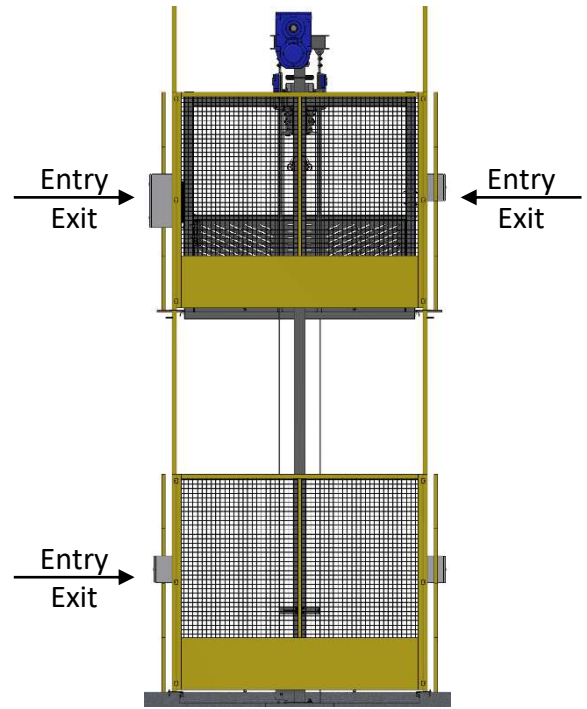
Fall Protection

Misc.

C-Style



P-Style



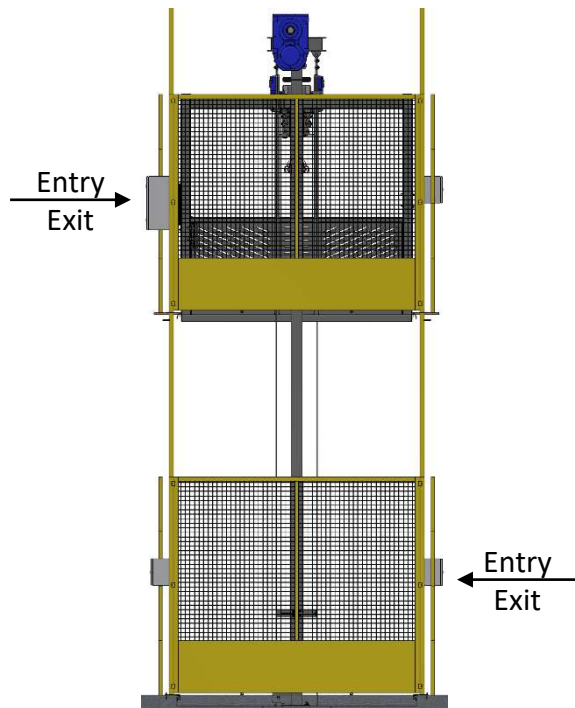
Cranes

Mezzanine

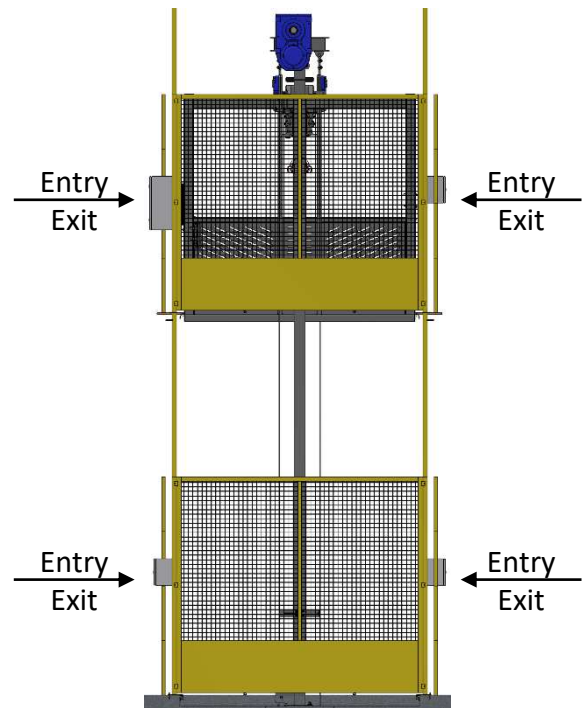
Fall Protection

Misc.

Z-Style



X-Style



Product specifications and dimensions are approximate and for informational purposes only. Variations may occur due to design or manufacturing adjustments. For exact measurements, please confirm with our customer service before ordering. PWI reserves the right to modify specifications without notice.

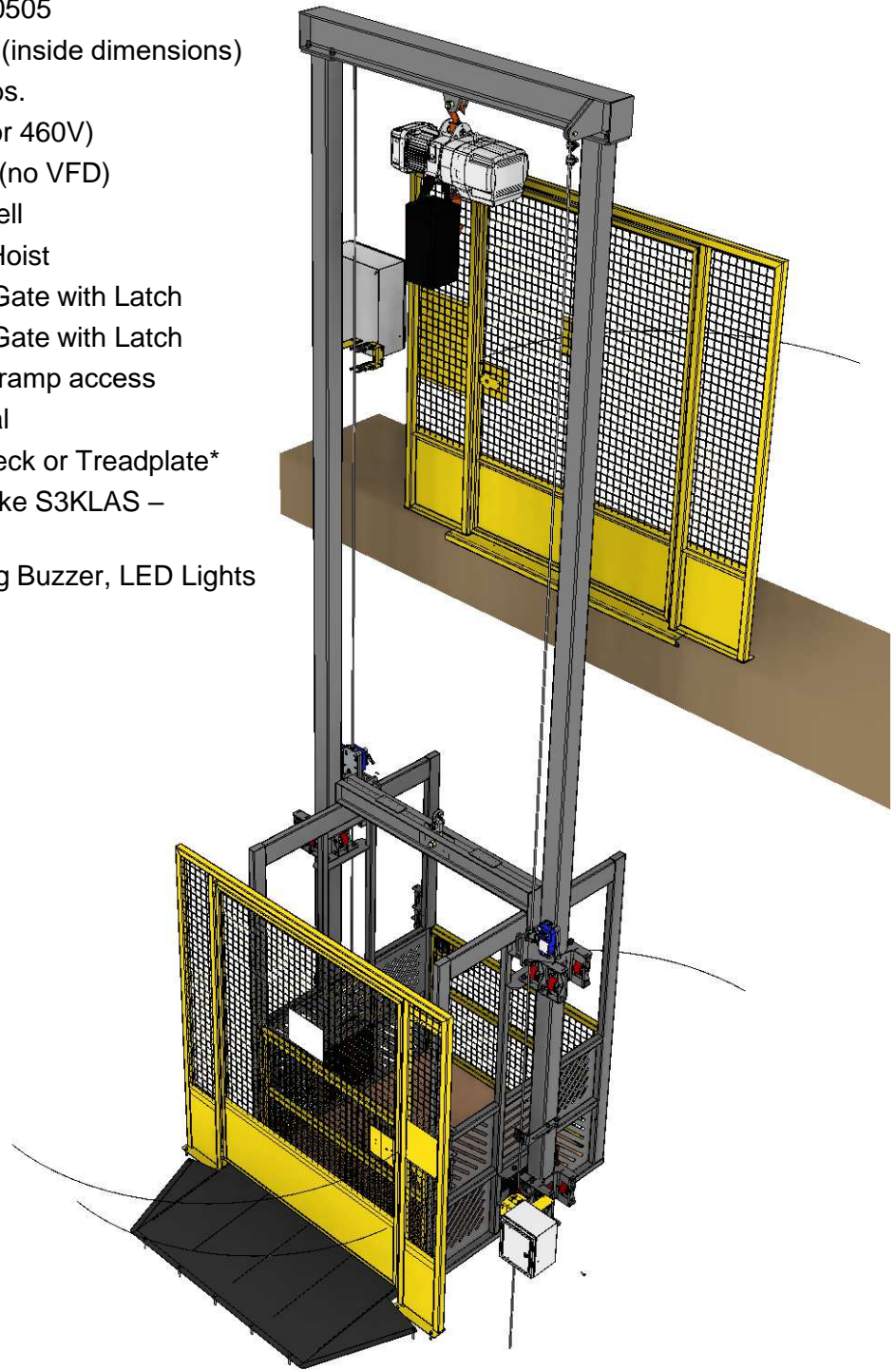


5'x5' VRC



Product Information

- Model: PWSD0505
- Carriage Size: 5' x 5' (inside dimensions)
- Lifting Capacity: 2,000 lbs.
- Power Supply: (230V or 460V)
- Lifting Speed: 26fpm (no VFD)
- Load Limiter: Load Cell
- Lifting Type: Chain Hoist
- Carriage Door: Swing Gate with Latch
- Exterior Door: Swing Gate with Latch
- Concrete Pit Depth: 5" if no ramp access
- Ramp Access: Optional
- Floor Type: Resindeck or Treadplate*
- Fall Protection: (1) Starke S3KLAS – Secondary Brake Device
- Optional Features: Warning Buzzer, LED Lights



Cranes

Mezzanine

Fall Protection

Misc.

Cranes

Mezzanine

Fall Protection

Misc.

*Treadplate reduces capacity.

Product specifications and dimensions are approximate and for informational purposes only. Variations may occur due to design or manufacturing adjustments. For exact measurements, please confirm with our customer service before ordering. PWI reserves the right to modify specifications without notice.

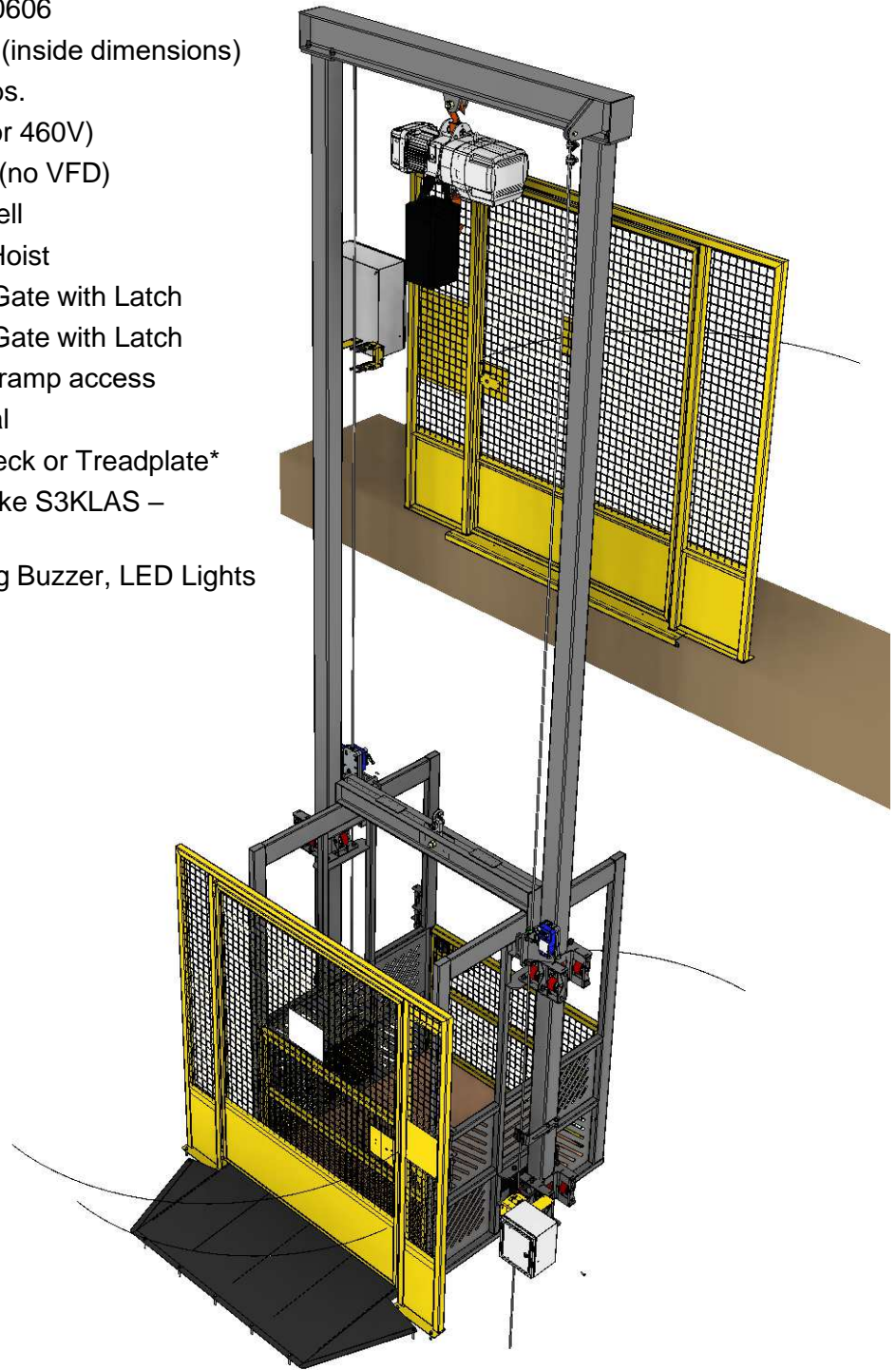


6'x6' VRC



Product Information

- Model: PWSD0606
- Carriage Size: 6' x 6' (inside dimensions)
- Lifting Capacity: 2,000 lbs.
- Power Supply: (230V or 460V)
- Lifting Speed: 26fpm (no VFD)
- Load Limiter: Load Cell
- Lifting Type: Chain Hoist
- Carriage Door: Swing Gate with Latch
- Exterior Door: Swing Gate with Latch
- Concrete Pit Depth: 5" if no ramp access
- Ramp Access: Optional
- Floor Type: Resindeck or Treadplate*
- Fall Protection: (1) Starke S3KLAS – Secondary Brake Device
- Optional Features: Warning Buzzer, LED Lights



Cranes

Mezzanine

Fall Protection

Misc.

Cranes

Mezzanine

Fall Protection

Misc.

*Treadplate reduces capacity.

Product specifications and dimensions are approximate and for informational purposes only. Variations may occur due to design or manufacturing adjustments. For exact measurements, please confirm with our customer service before ordering. PWI reserves the right to modify specifications without notice.

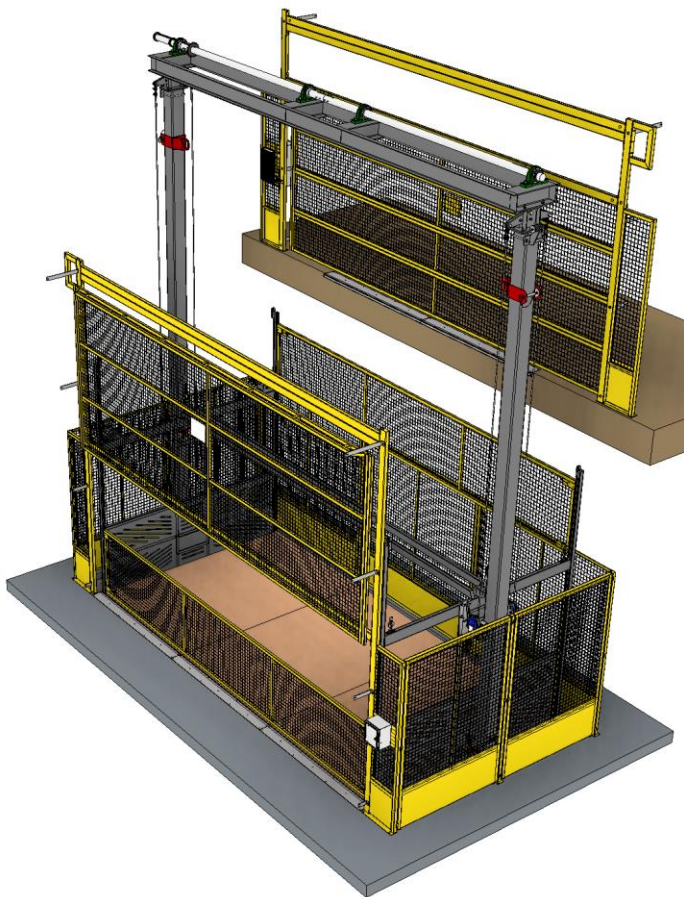


10'x20' VRC



Product Information

- Model: PWHD1020
- Carriage Size: 10' x 20' (inside dimensions)
- Lifting Capacity: 5,000#
- Power Supply: (460V 3/phase)
- Lifting Speed: 22fpm (with VFD)
- Load Limiter: Load Cell
- Lifting Type: Gear Motor with Roller Chain
- Carriage Door: Railroad Hinged Door or Vertical Gate
- Exterior Door: Single or Sectional Motorized OHGate
- Concrete Pit Depth: 14"
- Ramp Access: No
- Floor Type: Resindeck or Treadplate*
- Fall Protection: (4) Starke S3KLAS – Secondary Brake Device
- Optional Features: Warning Buzzer, LED Lights



Cranes

Cranes

Mezzanine

Mezzanine

Fall Protection

Fall Protection

Misc.

Misc.

Product specifications and dimensions are approximate and for informational purposes only. Variations may occur due to design or manufacturing adjustments. For exact measurements, please confirm with our customer service before ordering. PWI reserves the right to modify specifications without notice.



Stationary Fall Protection



Product Description

- 307 Truss Profile
- 1 Person Capacity Max Span 20'
- 2 Person Capacity Max Span 20'
- 3 Person Capacity Max Span 20'
- 4 Person Capacity Max Span 18'
- Max Cantilever: 4'
- Minimum distance between splice to support: 4'

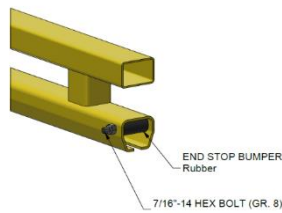
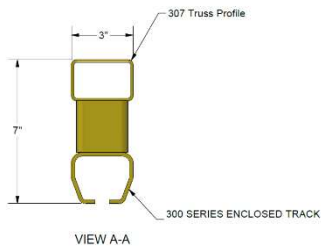
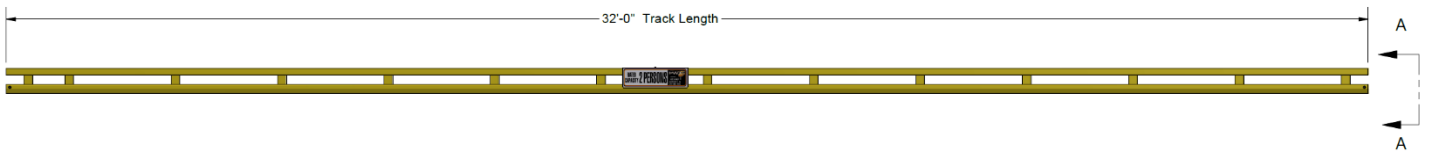
OSHA 1910.140(c)(13)(i) requires that an anchorage point be capable of supporting 5000# for each employee OR 1910.140(c)(13)(ii) designed, installed, and used, under the supervision of qualified person, as part of a complete personal fall protection system that maintains a safety factor of at least two. Utilizing a self-retracting lifeline with a Maximum Average Arresting Force of 900 lbs. PWI designs our engineered track system for 900 lbs. max arresting force with a safety factor of 2, What this means is that our track system is rated for 1800# for a 1-man system. The probability of more than one worker falling and dynamically impacting the fall protection system in the same critical millisecond-range is remote. Since typical lanyard arrest forces peak in the 5-millisecond duration range, the chances that multiple maximum arrest forces are going to be superimposed is extremely unlikely. Therefore, industry standard is to rate this a 2-man system for 2160# (which includes the safety factor of 2). 1800 MAF + 1 man (310#) + tools (50#) = 2160 lbs.

Cranes

Cranes

Mezzanine

Mezzanine



Fall Protection

Fall Protection

Misc.

Misc.



Product specifications and dimensions are approximate and for informational purposes only. Variations may occur due to design or manufacturing adjustments. For exact measurements, please confirm with our customer service before ordering. PWI reserves the right to modify specifications without notice.



Stationary Fall Protection



Product Description

- 310 Truss Profile
- 1 Person Capacity Max Span 40'
- 2 Person Capacity Max Span 40'
- 3 Person Capacity Max Span 40'
- 4 Person Capacity Max Span 32'
- Max Cantilever: 4'
- Minimum distance between splice to support: 4'

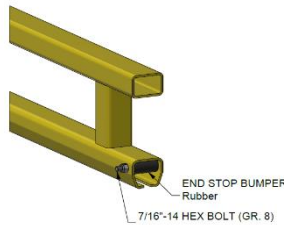
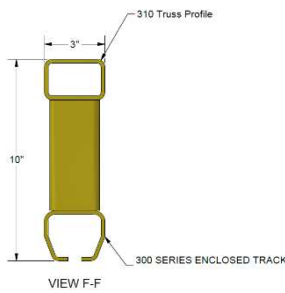
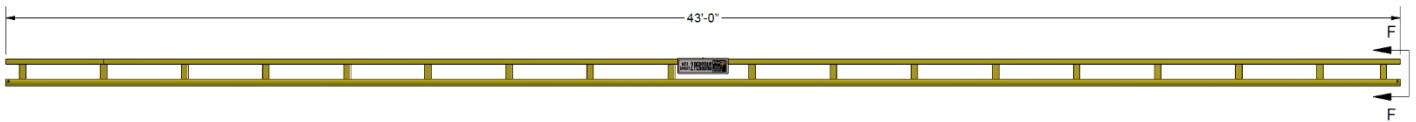
OSHA 1910.140(c)(13)(i) requires that an anchorage point be capable of supporting 5000# for each employee OR 1910.140(c)(13)(ii) designed, installed, and used, under the supervision of qualified person, as part of a complete personal fall protection system that maintains a safety factor of at least two. Utilizing a self-retracting lifeline with a Maximum Average Arresting Force of 900 lbs. PWI designs our engineered track system for 900 lbs. max arresting force with a safety factor of 2, What this means is that our track system is rated for 1800# for a 1-man system. The probability of more than one worker falling and dynamically impacting the fall protection system in the same critical millisecond-range is remote. Since typical lanyard arrest forces peak in the 5-millisecond duration range, the chances that multiple maximum arrest forces are going to be superimposed is extremely unlikely. Therefore, industry standard is to rate this a 2-man system for 2160# (which includes the safety factor of 2). 1800 MAF + 1 man (310#) + tools (50#) = 2160 lbs.

Cranes

Cranes

Mezzanine

Mezzanine



Fall Protection

Fall Protection

Misc.

Misc.



Product specifications and dimensions are approximate and for informational purposes only. Variations may occur due to design or manufacturing adjustments. For exact measurements, please confirm with our customer service before ordering. PWI reserves the right to modify specifications without notice.



Freestanding Fall Protection



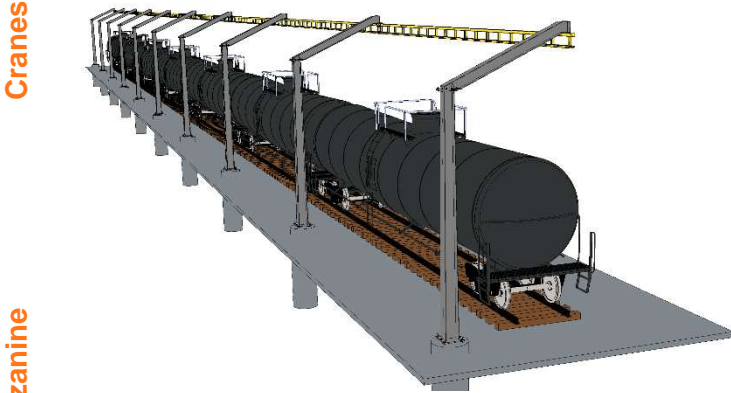
Product Description

Series: **Exterior Enclosed Track**

Capacity: **2 Persons**

Span: **50'**

OSHA 1910.140(c)(13)(i) requires that an anchorage point be capable of supporting 5000# for each employee OR 1910.140(c)(13)(ii) designed, installed, and used, under the supervision of qualified person, as part of a complete personal fall protection system that maintains a safety factor of at least two. Utilizing a self-retracting lifeline with a Maximum Average Arresting Force of 900 lbs. PWI designs our engineered track system for 900 lbs. max arresting force with a safety factor of 2, What this means is that our track system is rated for 1800# for a 1-man system. The probability of more than one worker falling and dynamically impacting the fall protection system in the same critical millisecond-range is remote. Since typical lanyard arrest forces peak in the 5-millisecond duration range, the chances that multiple maximum arrest forces are going to be superimposed is extremely unlikely. Therefore, industry standard is to rate this a 2-man system for 2160# (which includes the safety factor of 2). 1800 MAF + 1 man (310#) + tools (50#) = 2160 lbs.



Cranes

Mezzanine

Cranes

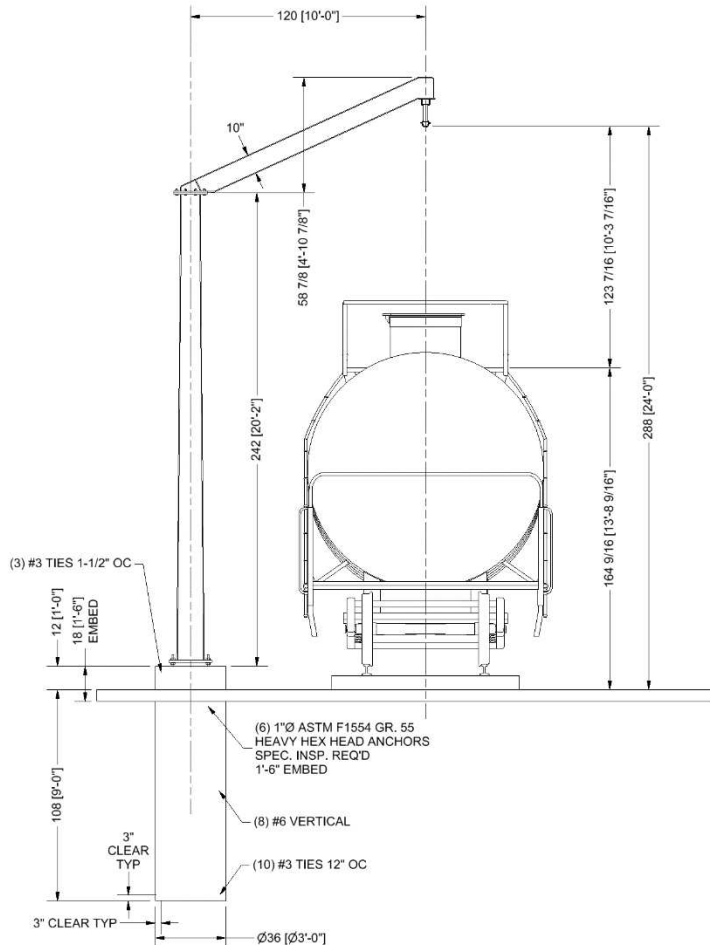
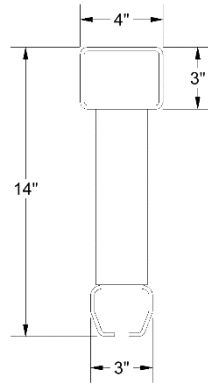
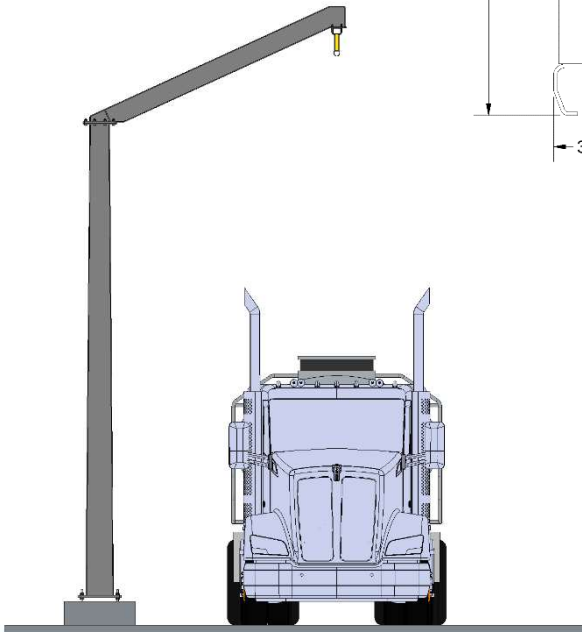
Mezzanine

Fall Protection

Misc.

Fall Protection

Misc.



Product specifications and dimensions are approximate and for informational purposes only. Variations may occur due to design or manufacturing adjustments. For exact measurements, please confirm with our customer service before ordering. PWI reserves the right to modify specifications without notice.



Column: Roof Build Safety Arms



Product Description

Provides overhead protection during and after roof/ceiling manufacturing process for RV and modular home manufacturing. This allows workers to safely walk under the roof structure during manufacturing or staging process.

Product Features

- Floor / Column Mounted
- Articulating Arms
- Remote Control



Cranes

Cranes

Mezzanine

Mezzanine

Fall Protection

Fall Protection

Misc.

Misc.

Product specifications and dimensions are approximate and for informational purposes only. Variations may occur due to design or manufacturing adjustments. For exact measurements, please confirm with our customer service before ordering. PWI reserves the right to modify specifications without notice.



Overhead: Roof Build Safety Arms

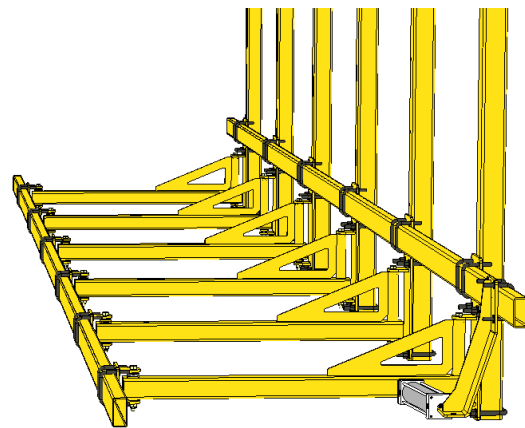
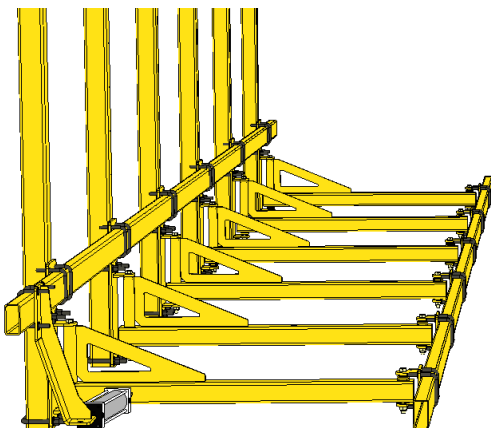
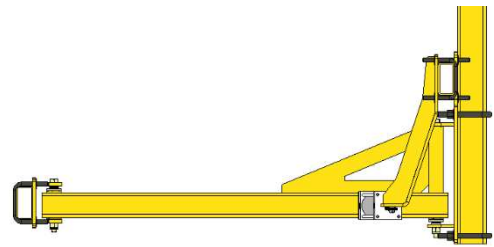
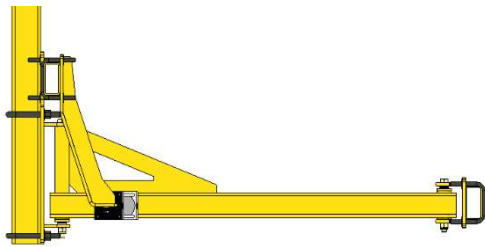
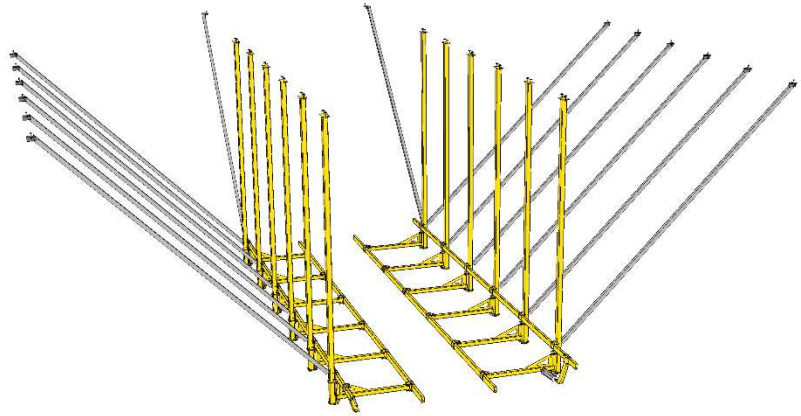


Product Description

Provides overhead protection during and after roof/ceiling manufacturing process for RV and modular home manufacturing. This allows workers to safely walk under the roof structure during manufacturing or staging process.

Product Features

- Ceiling Mounted
- Articulating Arms
- Remote Control



Cranes

Cranes

Mezzanine

Mezzanine

Fall Protection

Fall Protection

Misc.

Misc.

Product specifications and dimensions are approximate and for informational purposes only. Variations may occur due to design or manufacturing adjustments. For exact measurements, please confirm with our customer service before ordering. PWI reserves the right to modify specifications without notice.



Standard Work Platform

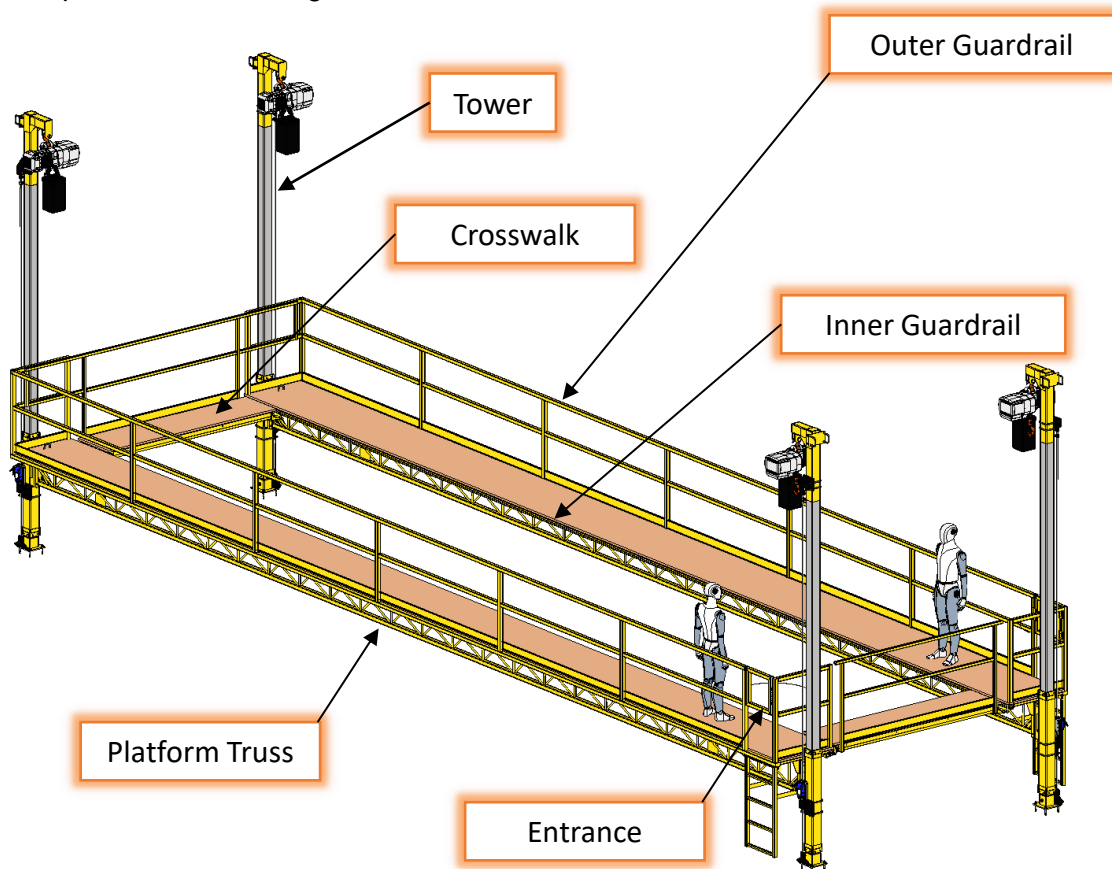


Product Description

The ultimate solution for safe and efficient access to rooftops and sidewalls of RVs, trailers, or mobile homes. Easily adjust the height of the work platform to provide optimal reach for any job.

Product Features

- Dual electric chain hoists
- Safety load arrestor system
- Up/down limits
- Safety guardrails
- Crosswalks
- Custom configurations: platform width, length, distance between platforms
- Capacity ratings
- Wireless controls
- Safety options include: beacons, buzzers, time delays
- Additional options include: underplatform LED lighting, electrical receptacles on platforms, Air Fittings



Product specifications and dimensions are approximate and for informational purposes only. Variations may occur due to design or manufacturing adjustments. For exact measurements, please confirm with our customer service before ordering. PWI reserves the right to modify specifications without notice.



Cranes

Mezzanine

Fall Protection

Misc.

Cranes

Mezzanine

Fall Protection

Misc.

Work Platform Design Form



Cranes

Mezzanine

Fall Protection

Misc.

Cranes

Mezzanine

Fall Protection

Misc.

Question		Answer				
1	Platform Intended Use		Production Plant	Service Bay		
2	Production Line Roll Frequency	minutes	20	15	7	
3	Building Construction Type		PEMB (roof bar joists)	PEMB (roof purlins)	Wood Construction	
4	Project Type		Stand Alone	New Construction/Renovation		
5	Local/State Permit Required		Yes	No		
6	Minimum Building Ceiling Height	(ft.)				
7	Concrete Floor Thickness	(in.)				
8	Unit Entry		side to side style	elephant style		
9	Platform inside workspace Type		Adjuststable	Fixed		
10	Platform Guardrail Type		Single (guardrail on side)	Double (guardrail in center)		
11	Platform Guardrail Height	(in.)	42" / other _____			
12	Platform Worker Access		Floor by Ladder	Mezzanine Outrigger	Floor Ramp	Outrigger Stair
13	Platform Width	(in.)				
14	Platform Load Capacity		# of Persons: _____	Tool Weight Per Person: _____	Misc. Weight: _____	
15	Unit Minimum Width (no awning)	(in.)				
16	Unit Minimum Width (with awning)	(in.)				
17	Unit Max Width (no awning)	(in.)				
18	Unit Max Width (with awning)	(in.)				
19	Unit A Frame Minimum Length	(ft.)				
20	Unit Shell Minimum Length	(ft.)				
21	Unit Shell Max Length	(ft.)				
22	Unit Max Height (no AC)	(ft.)				
23	Unit Max Height (with AC)	(ft.)				
24	Unit Max Height (with AC) on dolly	(ft.)				
25	Crosswalk Guardrail Type		Standard	Expandable	Pivot Rail	
25	Crosswalk Inside Treatments		Corner Fill-in	Gap Fill-in	Inner Guardrail	
26	Inner Guardrail Type		Cam Gates	Telescoping Guardrail	Ratchet Strap	Removeable Sections
27	Outer Guardrail Options		Standard	Saw Table w/ Finger Rack	Air Supply	Electrical Outlets
27	Tower Height	(ft.)				
27	Tower Position		Centered	Offset (Amount: ____ in.)		
28	Tower Orientation		Standard	Rotated		

Product specifications and dimensions are approximate and for informational purposes only. Variations may occur due to design or manufacturing adjustments. For exact measurements, please confirm with our customer service before ordering. PWI reserves the right to modify specifications without notice.



Work Platform Design Form



Cranes

Cranes

Mezzanine

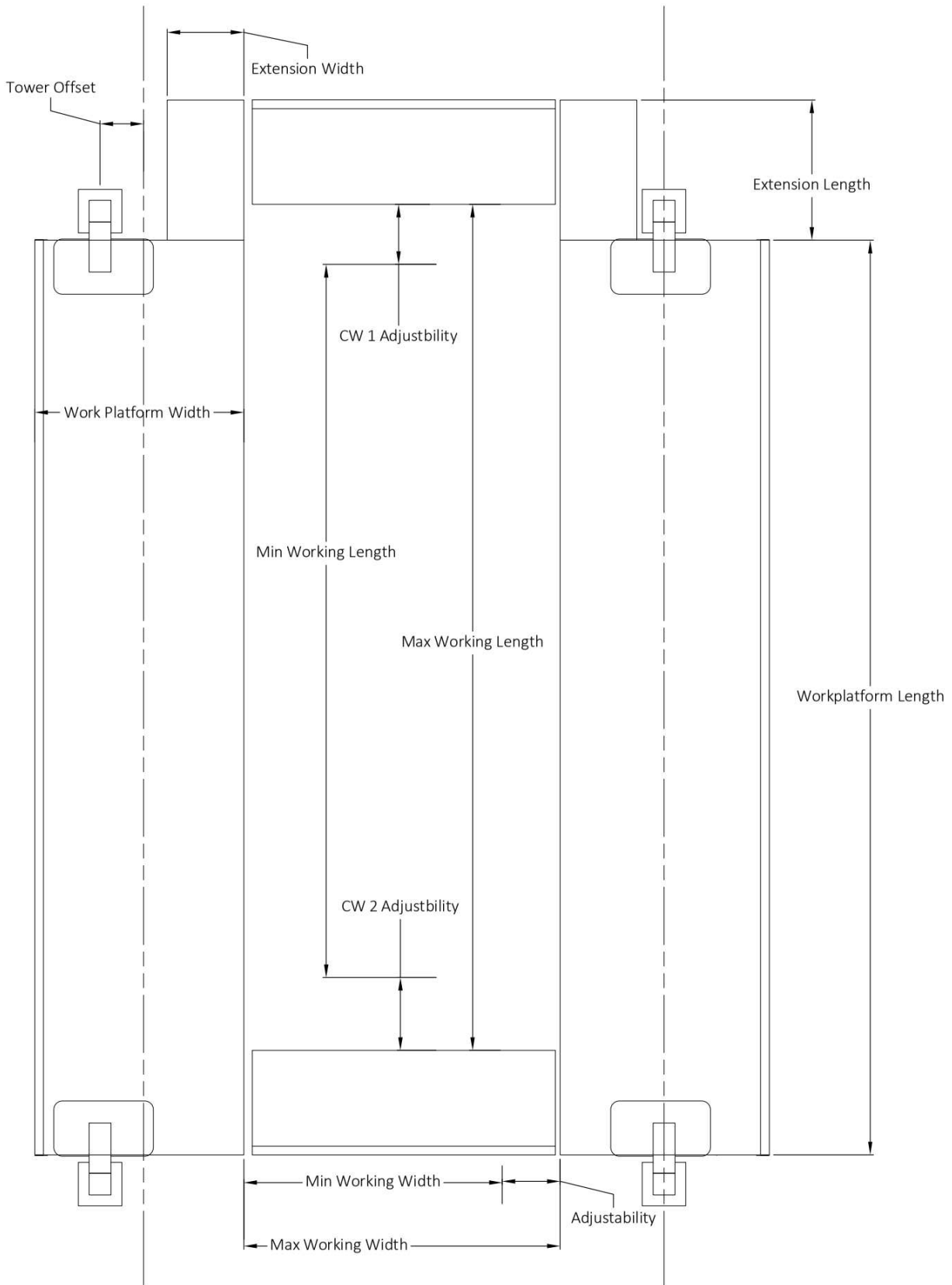
Mezzanine

Fall Protection

Fall Protection

Misc.

Misc.



Product specifications and dimensions are approximate and for informational purposes only. Variations may occur due to design or manufacturing adjustments. For exact measurements, please confirm with our customer service before ordering. PWI reserves the right to modify specifications without notice.



Work Platform Design Form



Cranes

Mezzanine

Fall Protection

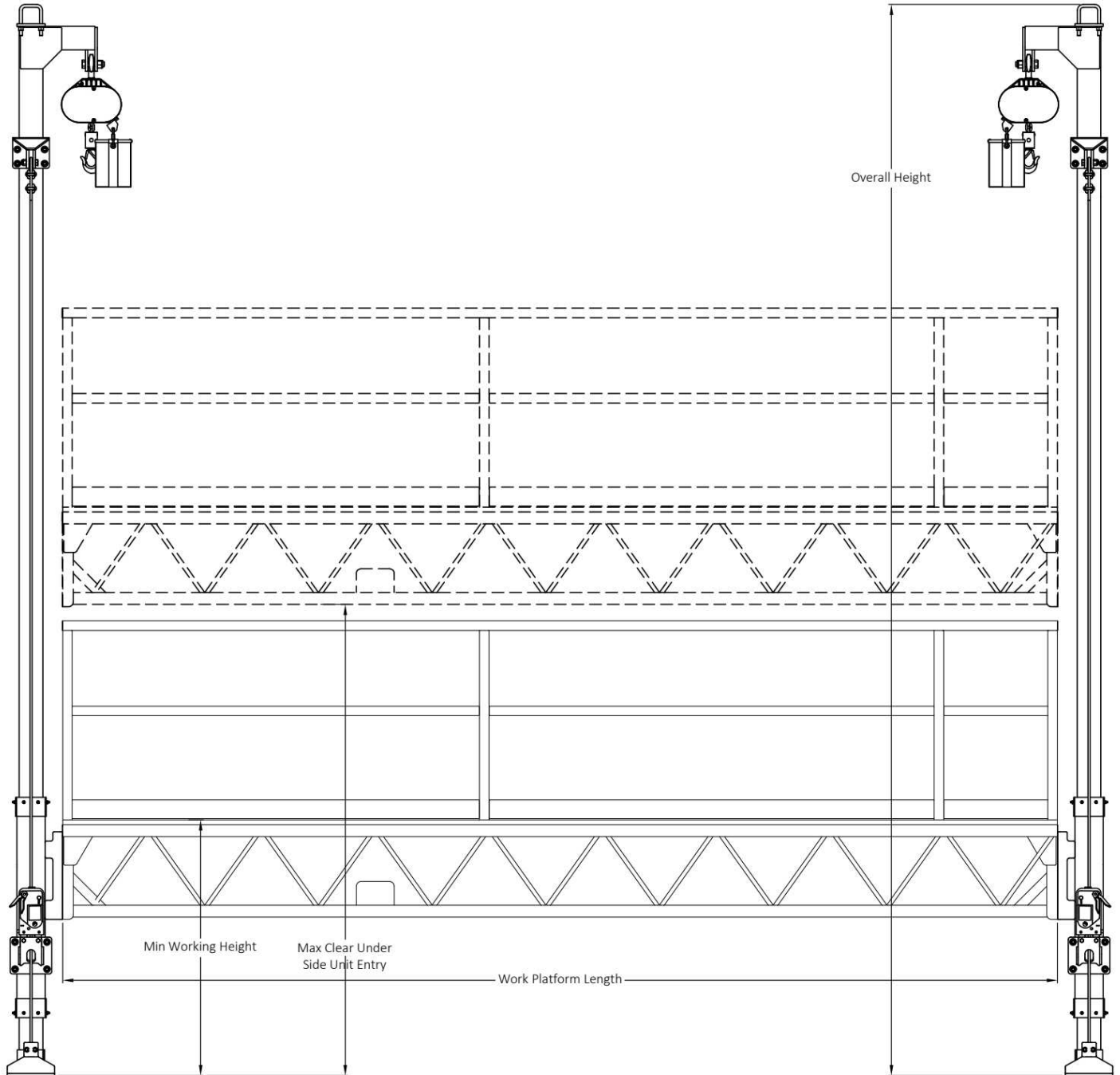
Misc.

Cranes

Mezzanine

Fall Protection

Misc.



Product specifications and dimensions are approximate and for informational purposes only. Variations may occur due to design or manufacturing adjustments. For exact measurements, please confirm with our customer service before ordering. PWI reserves the right to modify specifications without notice.



Work Platform Design Form



Cranes

Cranes

Mezzanine

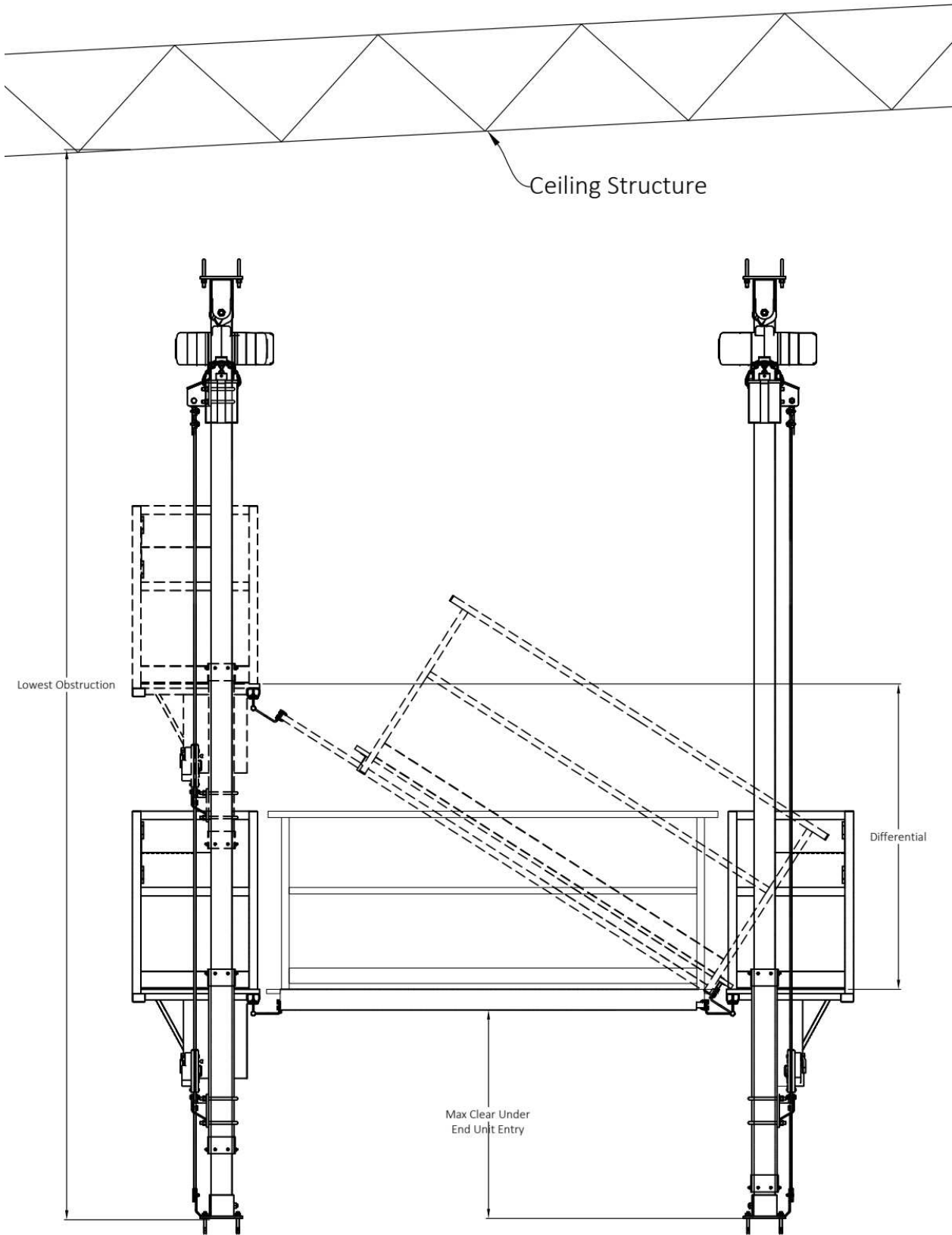
Mezzanine

Fall Protection

Fall Protection

Misc.

Misc.



Product specifications and dimensions are approximate and for informational purposes only. Variations may occur due to design or manufacturing adjustments. For exact measurements, please confirm with our customer service before ordering. PWI reserves the right to modify specifications without notice.



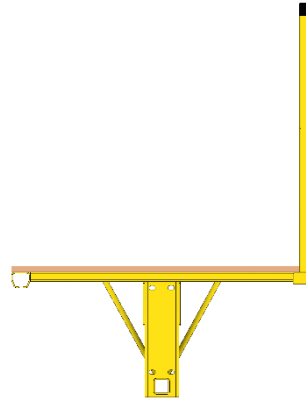
Work Platform Truss Options



Cranes

Triangular Truss

- Standard capacity (2 person+350lbs of tools and equipment)
- For spans up to 55'
- Crosswalk Compatible

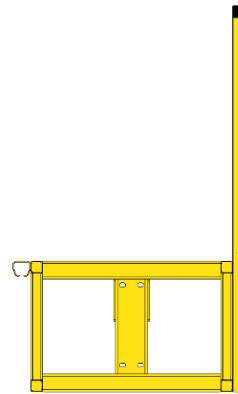


Cranes

Mezzanine

Box Truss

- Heavy duty capacities
- For spans >55'
- Crosswalk Compatible

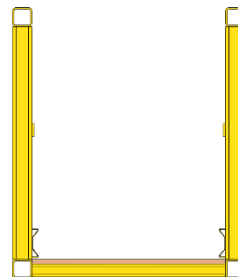


Mezzanine

Fall Protection

Open Truss

- Heavy duty capacities
- For spans >55'
- Not Crosswalk Compatible
- Low Headroom



Fall Protection

Misc.

Misc.

Product specifications and dimensions are approximate and for informational purposes only. Variations may occur due to design or manufacturing adjustments. For exact measurements, please confirm with our customer service before ordering. PWI reserves the right to modify specifications without notice.



Work Platform Truss Options

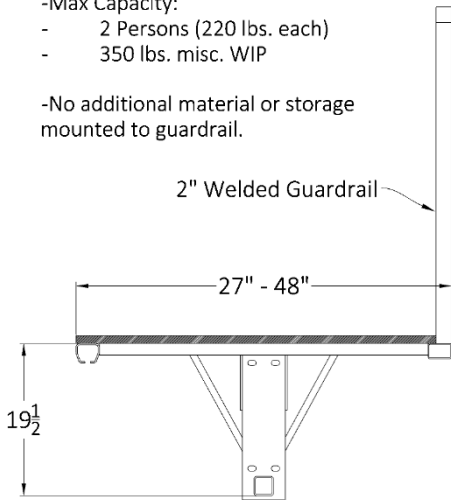


Triangle Truss Single Work Platforms

Cranes

- Single Work Platform
- Triangular Truss Design
- Length: 0 - 56'
- Max Capacity:
 - 2 Persons (220 lbs. each)
 - 350 lbs. misc. WIP

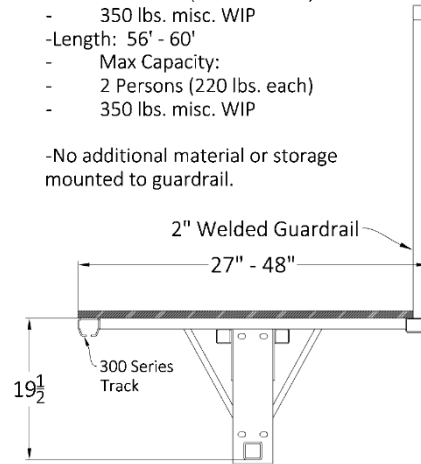
-No additional material or storage mounted to guardrail.



Mezzanine

- Single Work Platform
- Triangular Truss Design
- Length: 0 - 56'
- Max Capacity:
 - 4 Persons (220 lbs. each)
 - 350 lbs. misc. WIP
- Length: 56' - 60'
- Max Capacity:
 - 2 Persons (220 lbs. each)
 - 350 lbs. misc. WIP

-No additional material or storage mounted to guardrail.



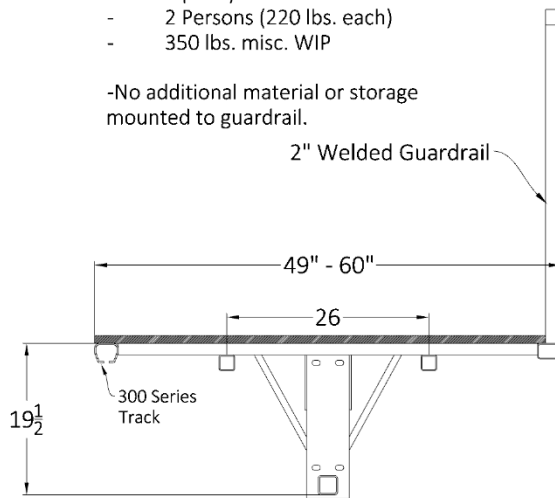
Cranes

Mezzanine

Fall Protection

- Single Work Platform
- Triangular Truss Design
- Length: 0 - 56'
- Max Capacity:
 - 2 Persons (220 lbs. each)
 - 350 lbs. misc. WIP

-No additional material or storage mounted to guardrail.



Misc.

Fall Protection

Misc.

Product specifications and dimensions are approximate and for informational purposes only. Variations may occur due to design or manufacturing adjustments. For exact measurements, please confirm with our customer service before ordering. PWI reserves the right to modify specifications without notice.

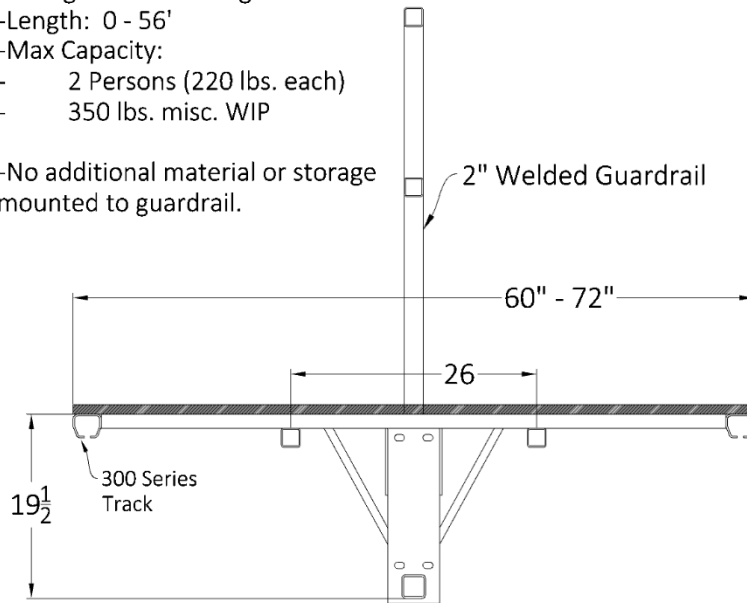


Work Platform Truss Options

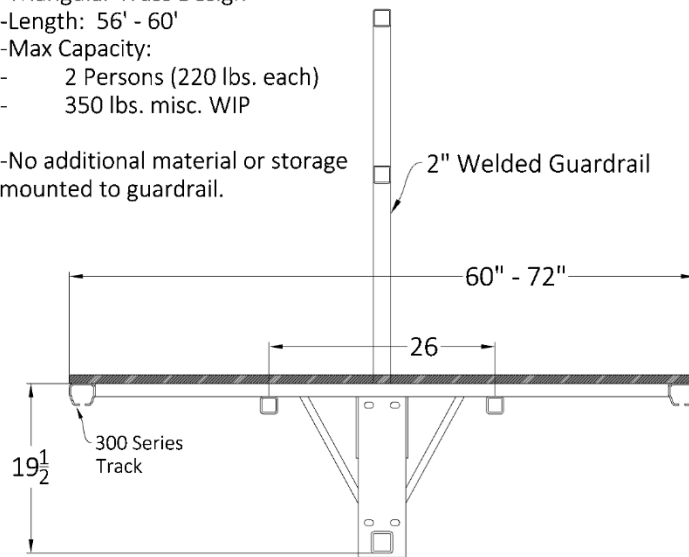


Triangle Truss Double Work Platforms

- Double Work Platform
- Triangular Truss Design
- Length: 0 - 56'
- Max Capacity:
 - 2 Persons (220 lbs. each)
 - 350 lbs. misc. WIP
- No additional material or storage mounted to guardrail.



- Double Work Platform
- Triangular Truss Design
- Length: 56' - 60'
- Max Capacity:
 - 2 Persons (220 lbs. each)
 - 350 lbs. misc. WIP
- No additional material or storage mounted to guardrail.



Product specifications and dimensions are approximate and for informational purposes only. Variations may occur due to design or manufacturing adjustments. For exact measurements, please confirm with our customer service before ordering. PWI reserves the right to modify specifications without notice.



Cranes

Cranes

Mezzanine

Mezzanine

Fall Protection

Fall Protection

Misc.

Misc.

Work Platform Truss Options



Box Truss Single Tower Work Platforms

Cranes

Mezzanine

Fall Protection

Misc.

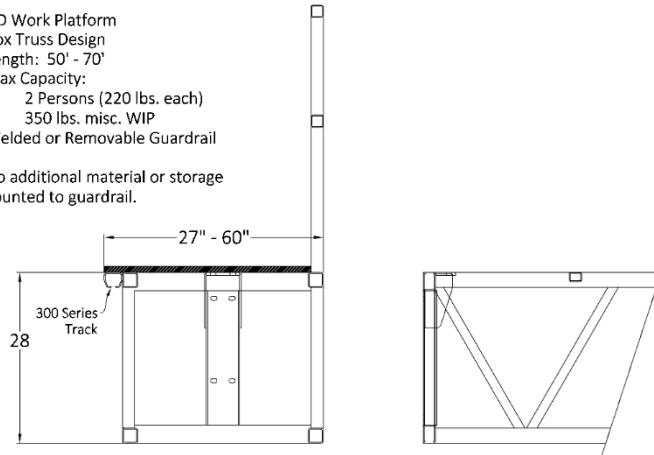
Cranes

Mezzanine

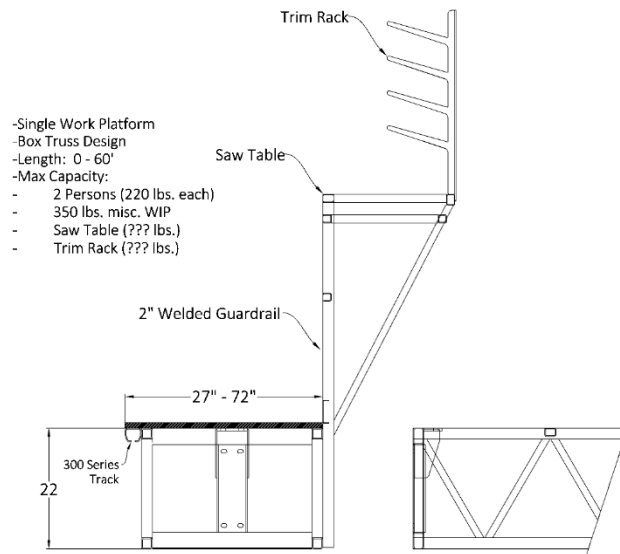
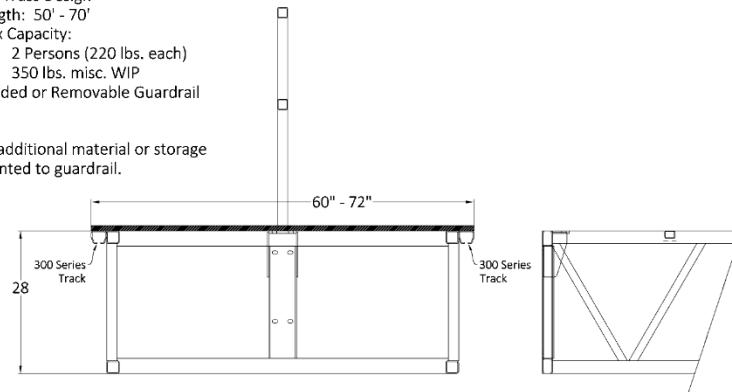
Fall Protection

Misc.

- HD Work Platform
- Box Truss Design
- Length: 50' - 70'
- Max Capacity:
 - 2 Persons (220 lbs. each)
 - 350 lbs. misc. WIP
- Welded or Removable Guardrail
- No additional material or storage mounted to guardrail.



- Double Work Platform
- Box Truss Design
- Length: 50' - 70'
- Max Capacity:
 - 2 Persons (220 lbs. each)
 - 350 lbs. misc. WIP
- Welded or Removable Guardrail
- No additional material or storage mounted to guardrail.



- Single Work Platform
- Box Truss Design
- Length: 0 - 60'
- Max Capacity:
 - 2 Persons (220 lbs. each)
 - 350 lbs. misc. WIP
 - Saw Table (?? lbs.)
 - Trim Rack (?? lbs.)

Product specifications and dimensions are approximate and for informational purposes only. Variations may occur due to design or manufacturing adjustments. For exact measurements, please confirm with our customer service before ordering. PWI reserves the right to modify specifications without notice.



Work Platform Truss Options

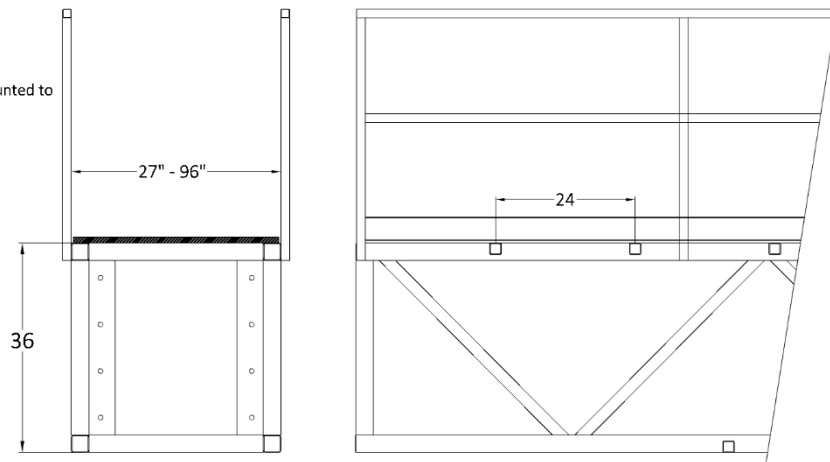


Box Truss Double Tower Work Platforms

Cranes

- Single Work Platform
- Box Truss Design
- Length: 60' - 90'
- Max Capacity:
 - 4 Persons (220 lbs. each)
 - 700 lbs. misc. WIP
- Welded or Removable Guardrail

-No additional material or storage mounted to guardrail.



Cranes

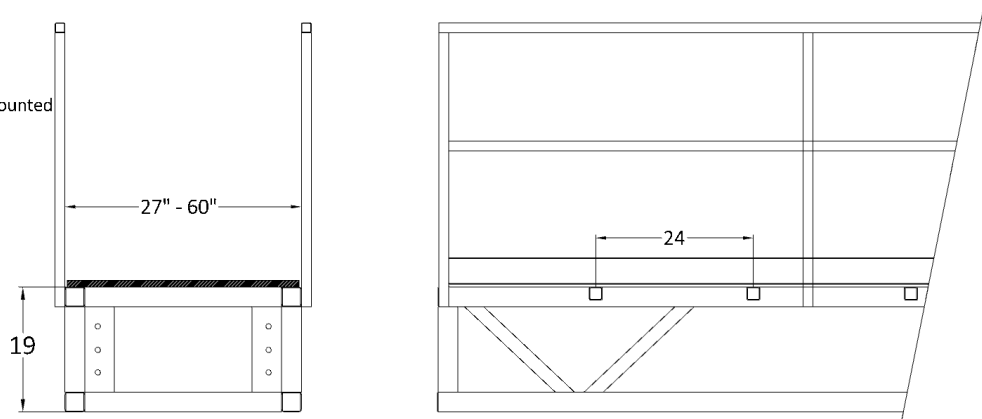
Mezzanine

Mezzanine

LOW HEADROOM OPTION

- HD Work Platform
- Box Truss Design
- Length: 50' - 62'
- Max Capacity:
 - 4 Persons (220 lbs. each)
 - 700 lbs. misc. WIP
- Welded or Removable Guardrail

-No additional material or storage mounted to guardrail.



Fall Protection

Fall Protection

Misc.

Misc.

Product specifications and dimensions are approximate and for informational purposes only. Variations may occur due to design or manufacturing adjustments. For exact measurements, please confirm with our customer service before ordering. PWI reserves the right to modify specifications without notice.



Work Platform Truss Options



Open Truss Double Tower Work Platforms

- HD Work Platform
- Open Truss Design
- Length: 50' - 85'
- Max Capacity:
 - 6 Persons (220 lbs. each)
 - 430 lbs. misc. WIP
- Truss Structure is the guardrail.
- Midrail: Flatbar

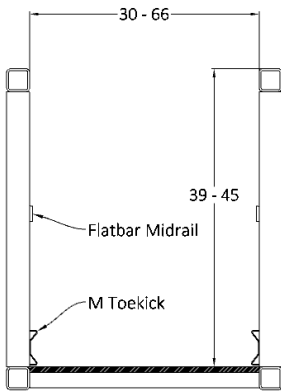
-No additional material or storage mounted to guardrail.

Cranes

Cranes

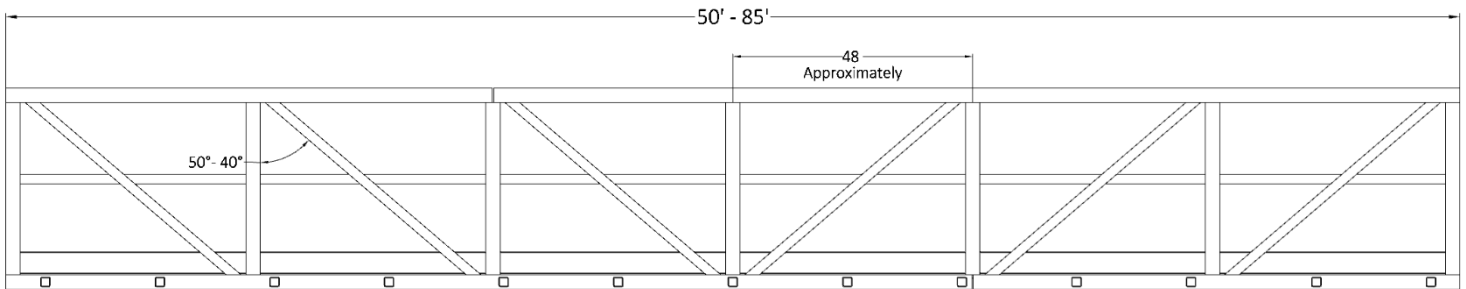
Mezzanine

Mezzanine



Fall Protection

Fall Protection



Misc.

Misc.

Product specifications and dimensions are approximate and for informational purposes only. Variations may occur due to design or manufacturing adjustments. For exact measurements, please confirm with our customer service before ordering. PWI reserves the right to modify specifications without notice.



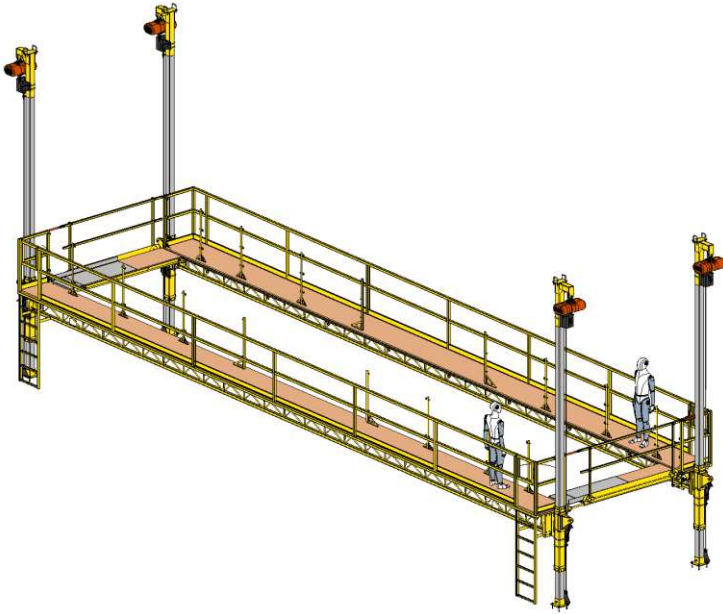
Work Platform Tower Options



- Standard Single Tower
- Reversed Single Tower
- Suspended Tower
- Rolling Tower

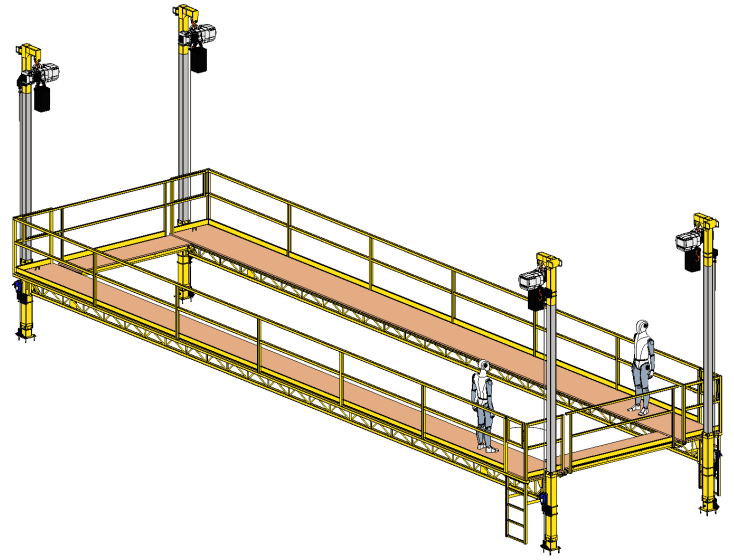
Cranes

Mezzanine



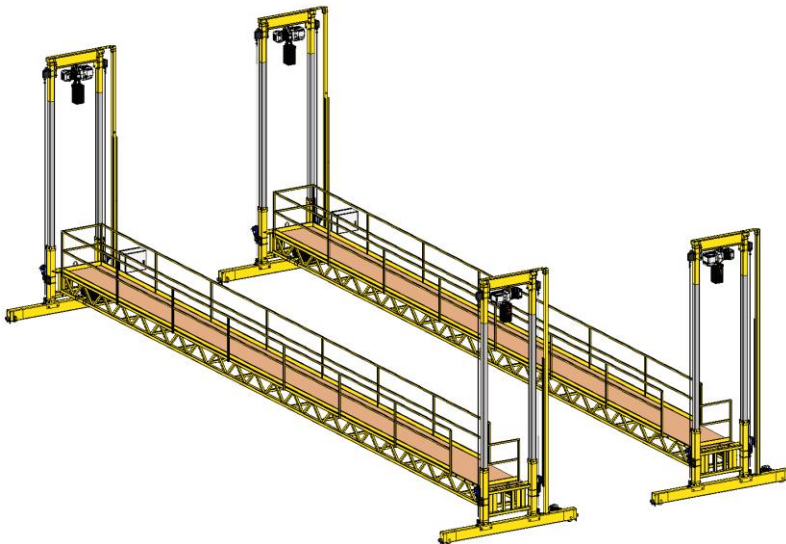
Cranes

Mezzanine



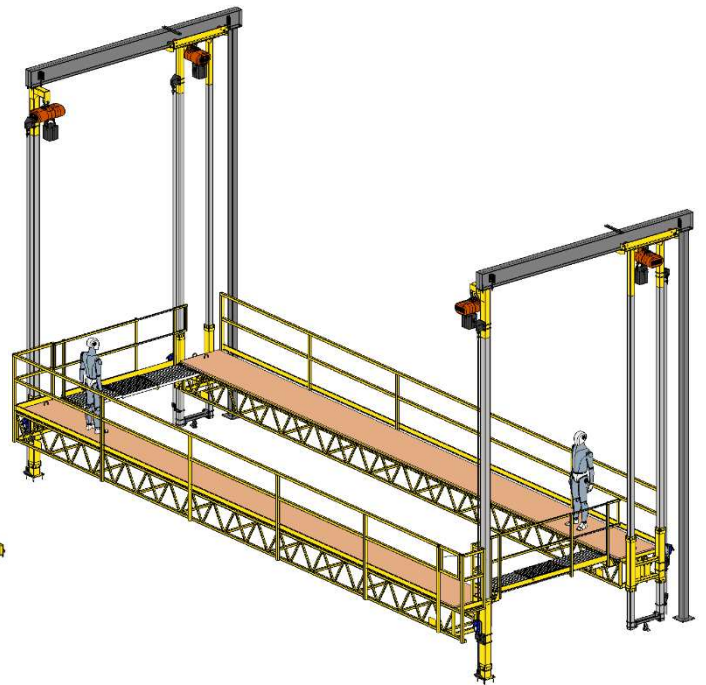
Fall Protection

Misc.



Fall Protection

Misc.



Product specifications and dimensions are approximate and for informational purposes only. Variations may occur due to design or manufacturing adjustments. For exact measurements, please confirm with our customer service before ordering. PWI reserves the right to modify specifications without notice.



Work Platform Inner Guardrail Options

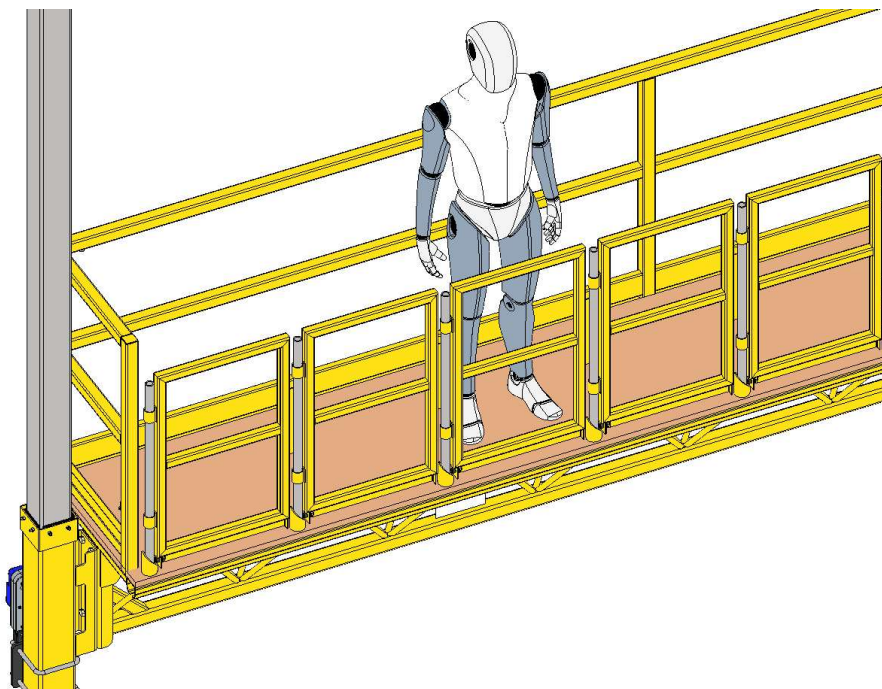


Product Description

- Cam Gates
- Good option for inner guard rail when there is a big differential between the largest unit and shortest unit that is being built in the workplatform.

Product Features

- Self Closing Gates
- Customizable Placement



Cranes

Mezzanine

Fall Protection

Misc.

Cranes

Mezzanine

Fall Protection

Misc.



Work Platform Inner Guardrail Options

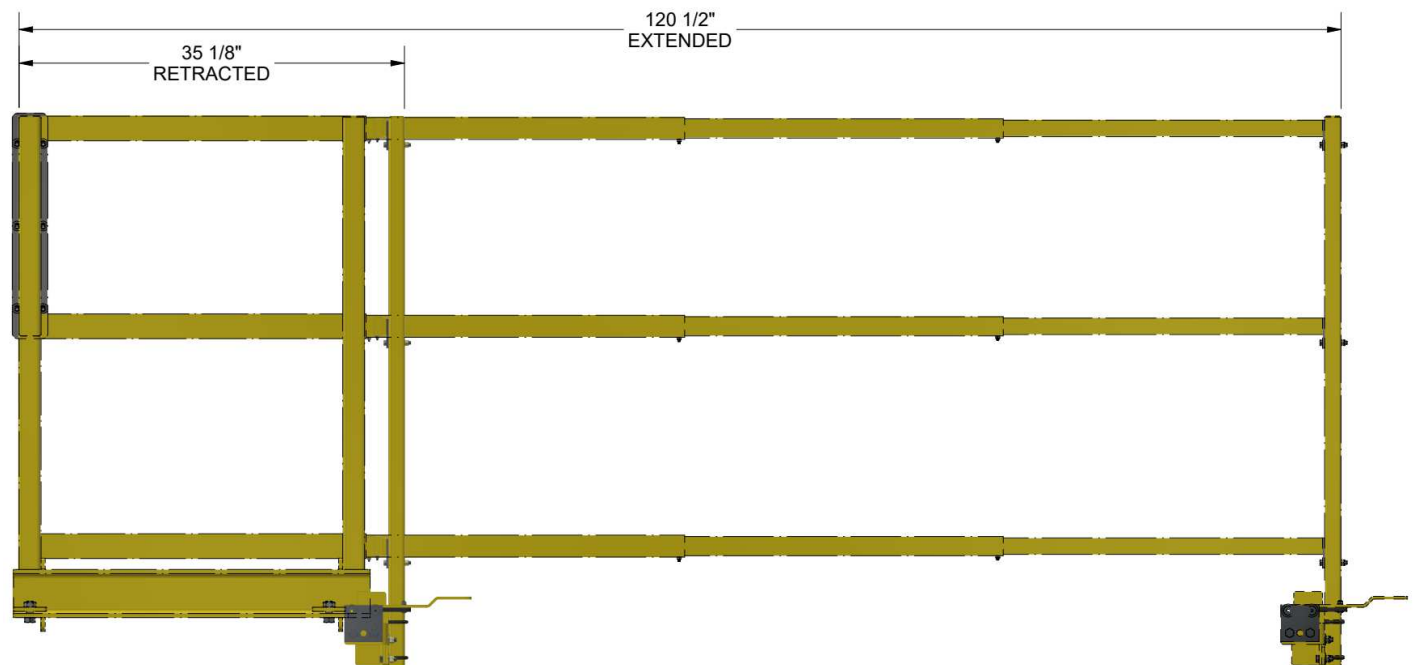
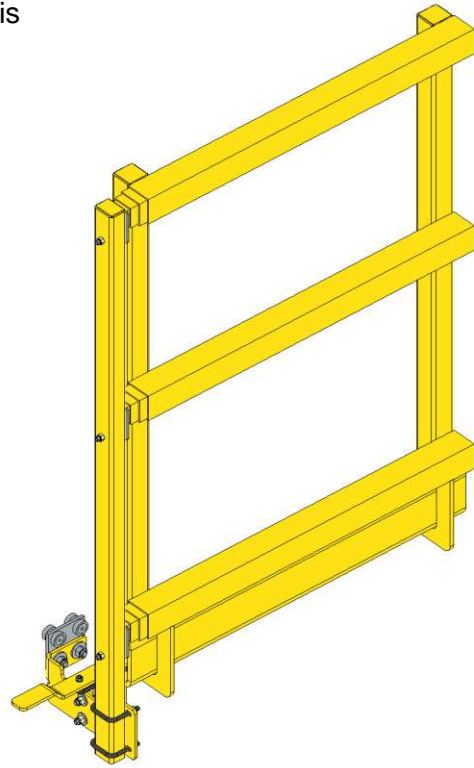


Product Description

- Telescoping Guardrail
- Good option for inner guard rail when there is only a 7' differential between the largest unit and shortest unit that is being built in the workplatform.

Product Features

- Linked to the rear of a crosswalk
- Retracted base can be installed anywhere along the 300 series track of the workplatform.
- Work Platform Requirements
 - Width ≥ 36 "
 - 300 Series Track



Product specifications and dimensions are approximate and for informational purposes only. Variations may occur due to design or manufacturing adjustments. For exact measurements, please confirm with our customer service before ordering. PWI reserves the right to modify specifications without notice.



Work Platform Inner Guardrail Options

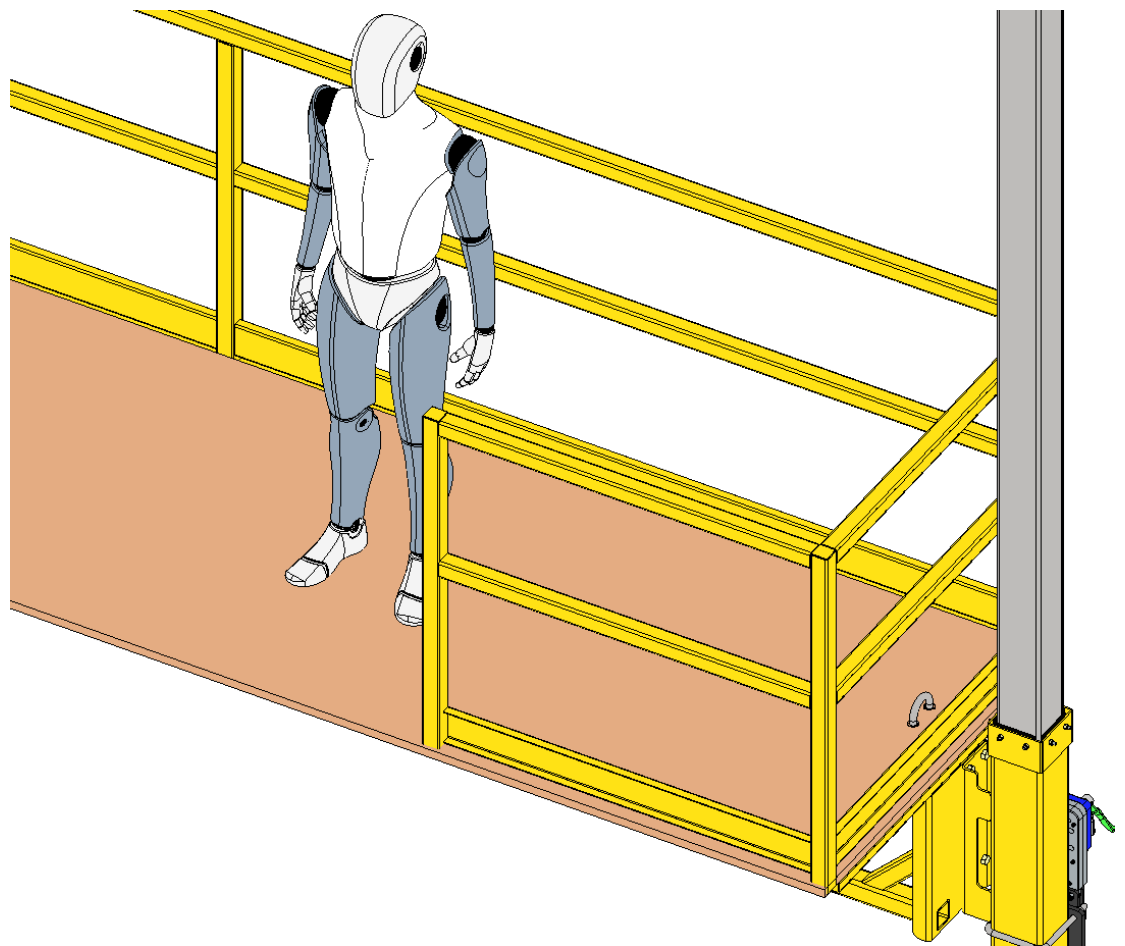


Product Description

- Fixed Guardrail
- Good option for inner guard rail when there is only no differential between the largest unit and shortest unit that is being built in the workplatform.

Product Features

- Welded to the top of the 300 Series track



Cranes

Cranes

Mezzanine

Mezzanine

Fall Protection

Fall Protection

Misc.

Misc.

Product specifications and dimensions are approximate and for informational purposes only. Variations may occur due to design or manufacturing adjustments. For exact measurements, please confirm with our customer service before ordering. PWI reserves the right to modify specifications without notice.



Work Platform Inner Guardrail Options

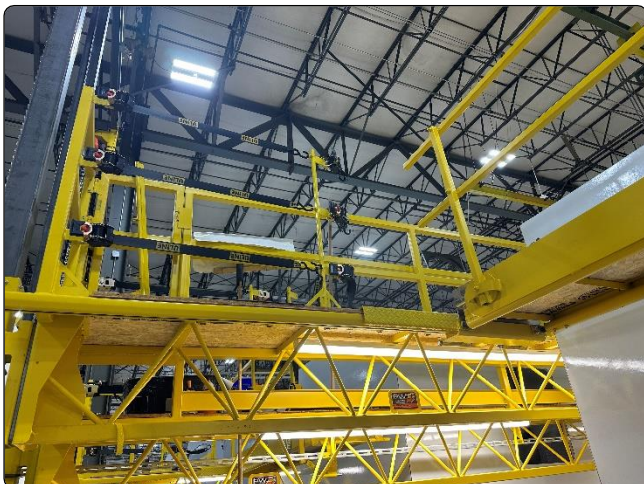
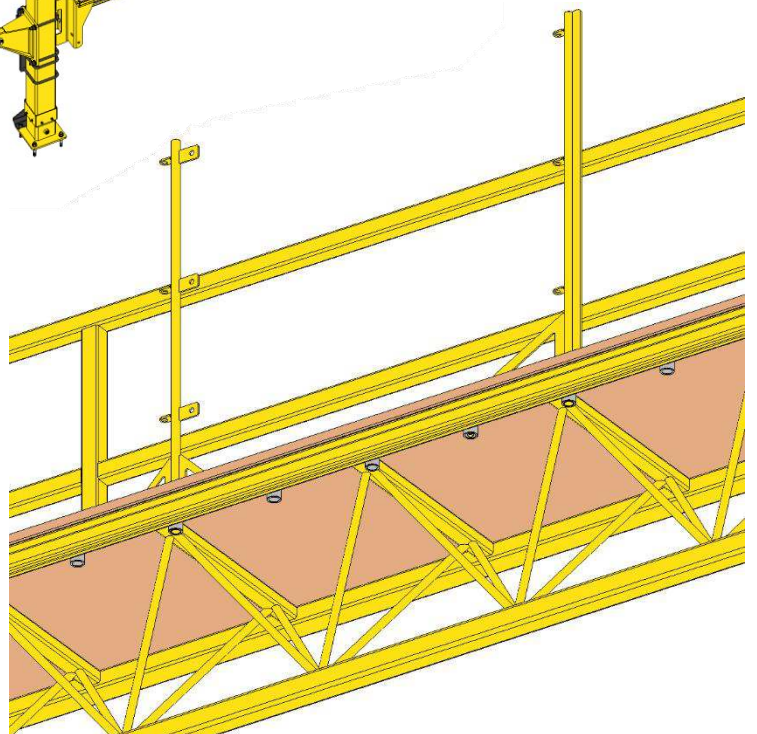
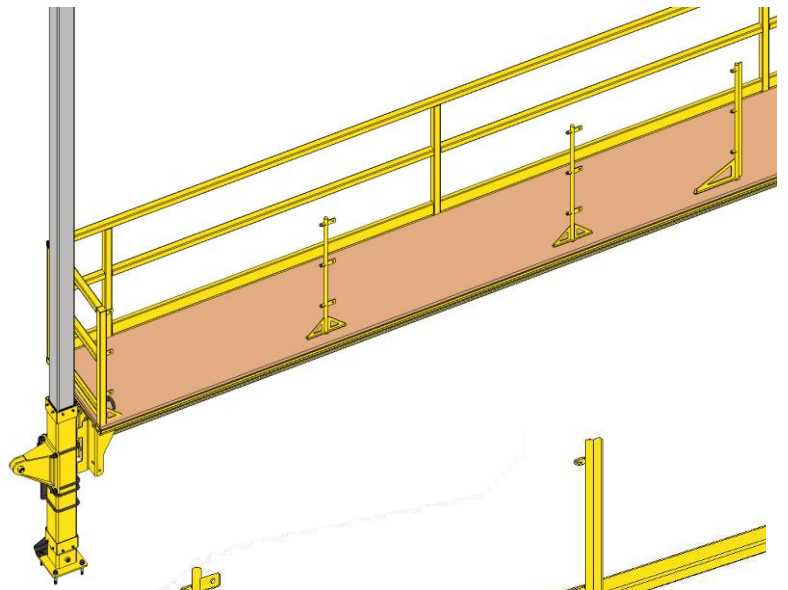


Product Description

- Ratchet Strap Guardrail
- Good option for inner guard rail when there is a large differential between the largest unit and shortest unit that is being built in the workplatform.

Product Features

- Removable posts
- Pockets installed every 12"
- Straps are used for the top, middle, and bottom rails



Product specifications and dimensions are approximate and for informational purposes only. Variations may occur due to design or manufacturing adjustments. For exact measurements, please confirm with our customer service before ordering. PWI reserves the right to modify specifications without notice.



Cranes

Cranes

Mezzanine

Mezzanine

Fall Protection

Fall Protection

Misc.

Misc.

Work Platform Inner Guardrail Options



Product Description

- Removeable Guardrail
- Good option for inner guard rail when there is a large differential between the largest unit and shortest unit that is being built in the workplatform. Also good option when there are specific areas that the workers plan to walk onto the units.

Product Features

- Removable guardrail section
- Recommended section length 4'-8'

Cranes

Cranes

Mezzanine

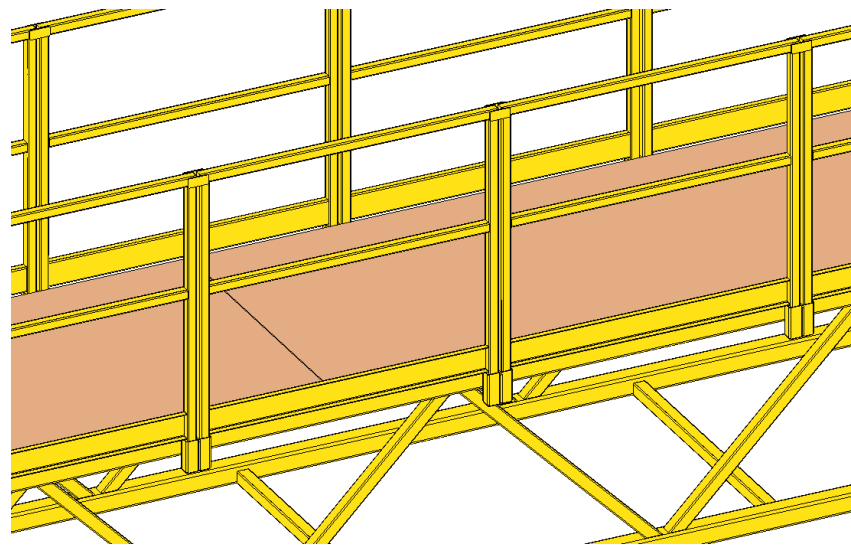
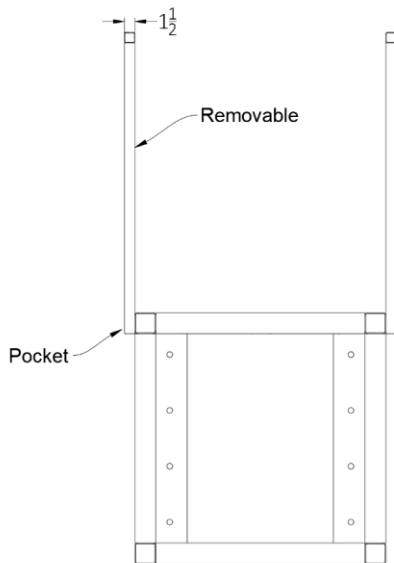
Mezzanine

Fall Protection

Fall Protection

Misc.

Misc.



Product specifications and dimensions are approximate and for informational purposes only. Variations may occur due to design or manufacturing adjustments. For exact measurements, please confirm with our customer service before ordering. PWI reserves the right to modify specifications without notice.



Work Platform Inner Guardrail Options

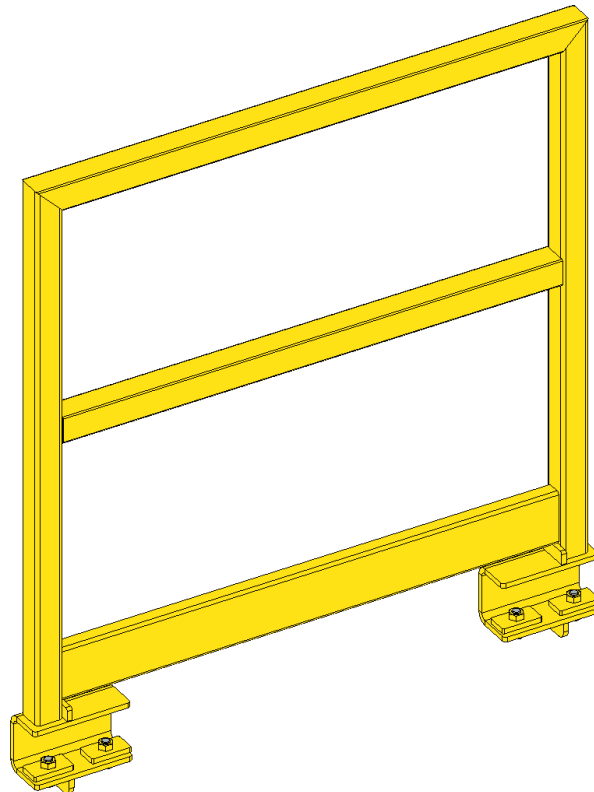


Product Description

- Bolt-on Guardrail
- Good option for inner guard rail when there is a large differential between the largest unit and shortest unit that is being built in the workplatform, but the assembly line doesn't switch units very often.

Product Features

- Clamps into the 300 Series Track
- Removable guardrail section
- Recommended section length 2'-4'



Cranes

Cranes

Mezzanine

Mezzanine

Fall Protection

Fall Protection

Misc.

Misc.

Product specifications and dimensions are approximate and for informational purposes only. Variations may occur due to design or manufacturing adjustments. For exact measurements, please confirm with our customer service before ordering. PWI reserves the right to modify specifications without notice.



Work Platform Inner Guardrail Options

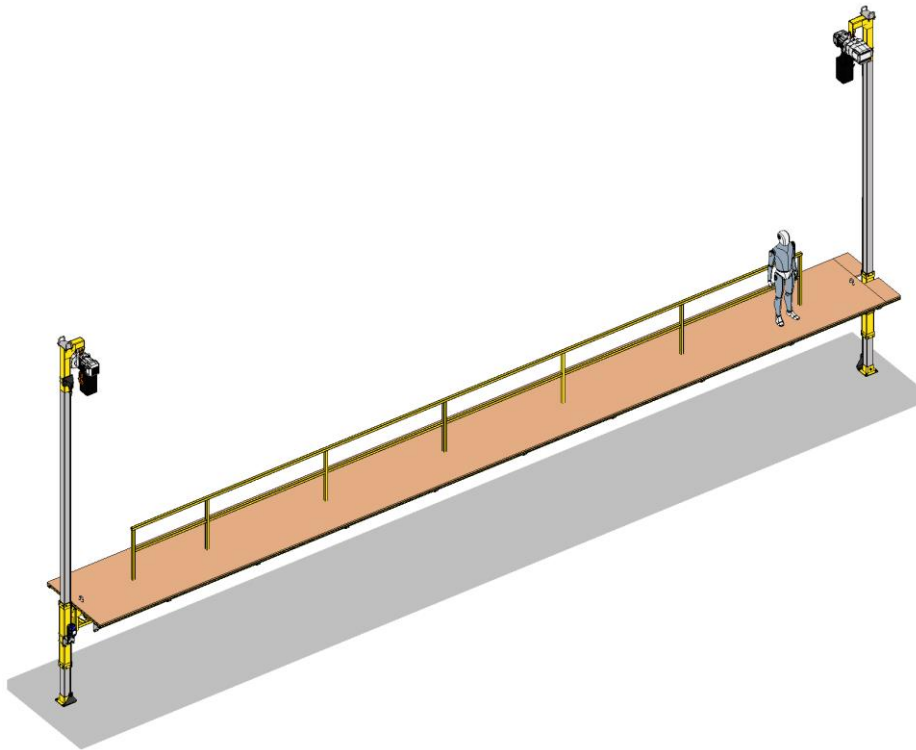
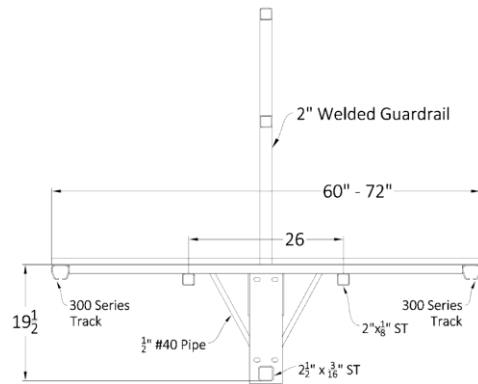


Product Description

- Centerd Guardrail
- Good option for inner guard rail when there are multiple workplatforms in a row that are connected with crosswalks. Units can be stationed on either side of the platform and workers have access to both units.

Product Features

- Welded guardrail



Product specifications and dimensions are approximate and for informational purposes only. Variations may occur due to design or manufacturing adjustments. For exact measurements, please confirm with our customer service before ordering. PWI reserves the right to modify specifications without notice.



Cranes

Mezzanine

Fall Protection

Misc.

Cranes

Mezzanine

Fall Protection

Misc.

Work Platform Outer Guardrail Options



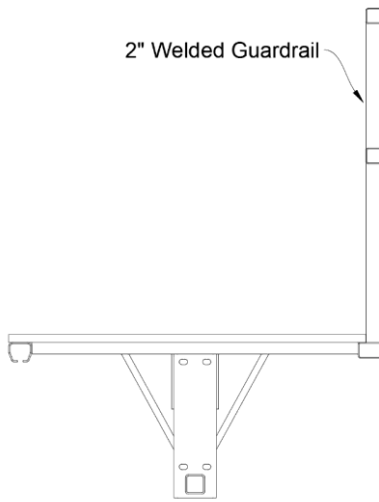
- Standard welded guardrail
- Saw tables
- Finger racks
- Airline guardrail

Cranes

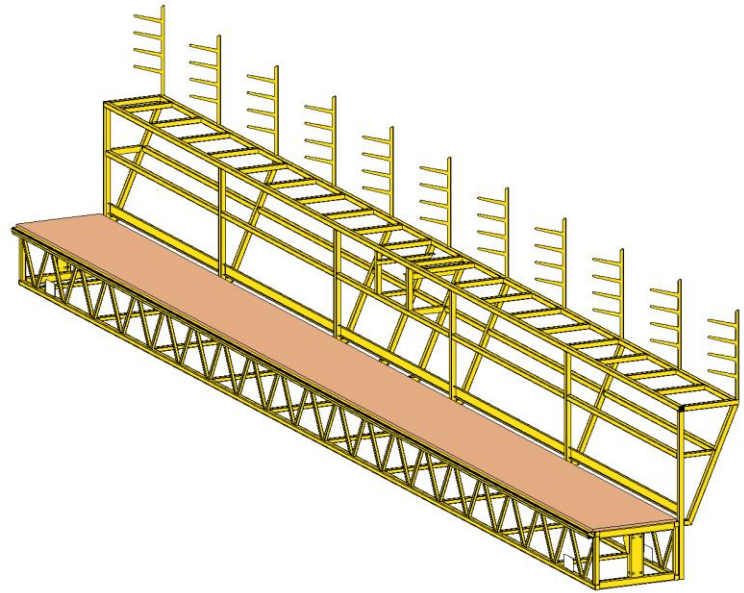
Cranes

Mezzanine

Mezzanine



Standard Welded Guardrail



Fall Protection

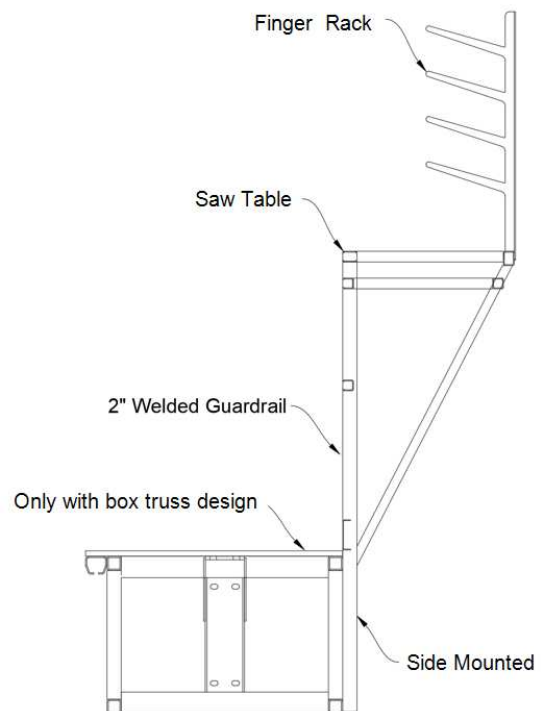
Fall Protection

Misc.

Misc.



Airline Guardrail



Finger Racks with Saw Table

Product specifications and dimensions are approximate and for informational purposes only. Variations may occur due to design or manufacturing adjustments. For exact measurements, please confirm with our customer service before ordering. PWI reserves the right to modify specifications without notice.



Work Platform Entrance Options



Cranes

- Walk-on from Mezzanine
- Walk-on from Outrigger
- Walk-on from Stair
- Walk-on from Ramp
- Climb-on from Fixed Ladder
- Climb-on from Telescoping Ladder

Cranes

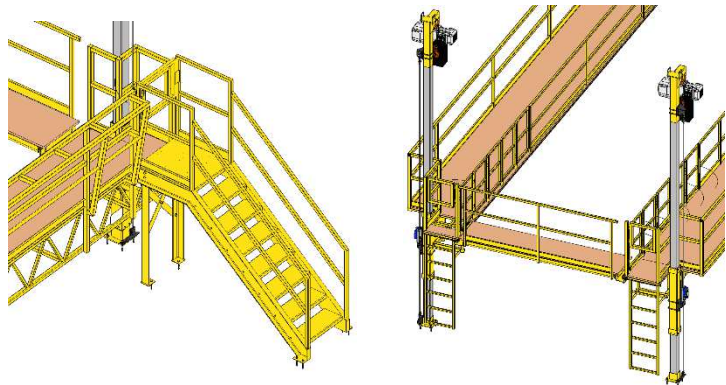
Entrance location can be anywhere on Workplatform

Mezzanine

Mezzanine

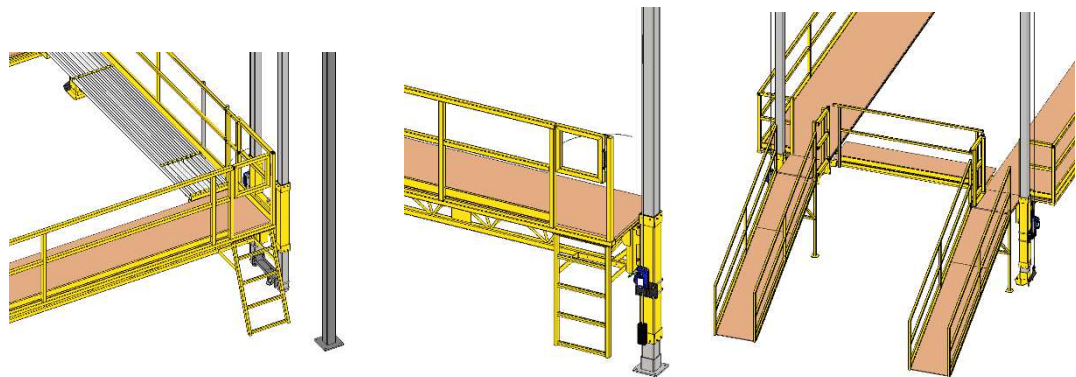
Fall Protection

Fall Protection



Misc.

Misc.



Product specifications and dimensions are approximate and for informational purposes only. Variations may occur due to design or manufacturing adjustments. For exact measurements, please confirm with our customer service before ordering. PWI reserves the right to modify specifications without notice.

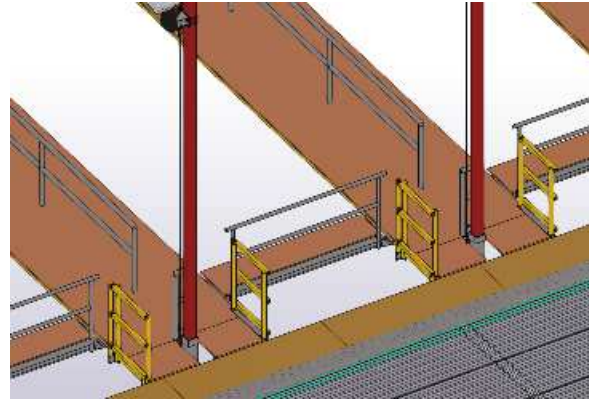
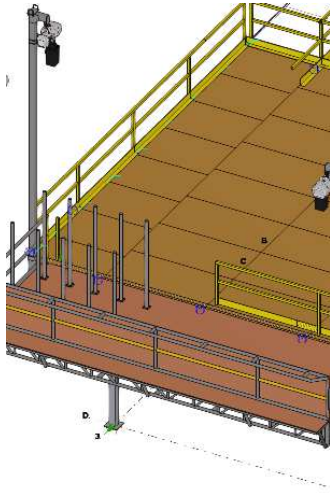


Work Platform Entrance Options



- Walk-on from Mezzanine
- Walk-on from Outrigger

Cranes

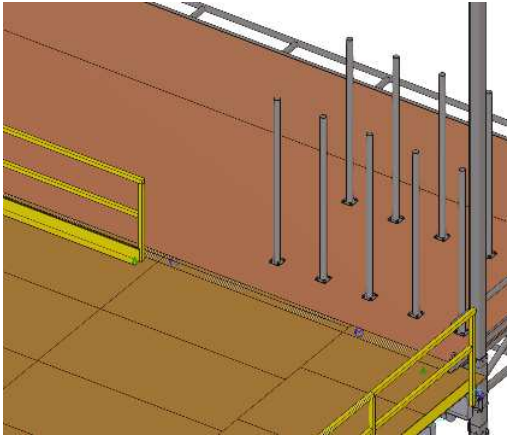


Cranes

Mezzanine

Mezzanine

Fall Protection



Fall Protection

Misc.



Misc.

Product specifications and dimensions are approximate and for informational purposes only. Variations may occur due to design or manufacturing adjustments. For exact measurements, please confirm with our customer service before ordering. PWI reserves the right to modify specifications without notice.



Material Platform



Product Description

An oversized platform to transport material from a mezzanine to the production line.

Product Features

- Separating guardrails to allow material to be unloaded at the lower level
- Load Arrestor System for added safety
- Wireless controls
- Additional safety options include beacons, buzzers, time delays

Cranes

Cranes

Mezzanine

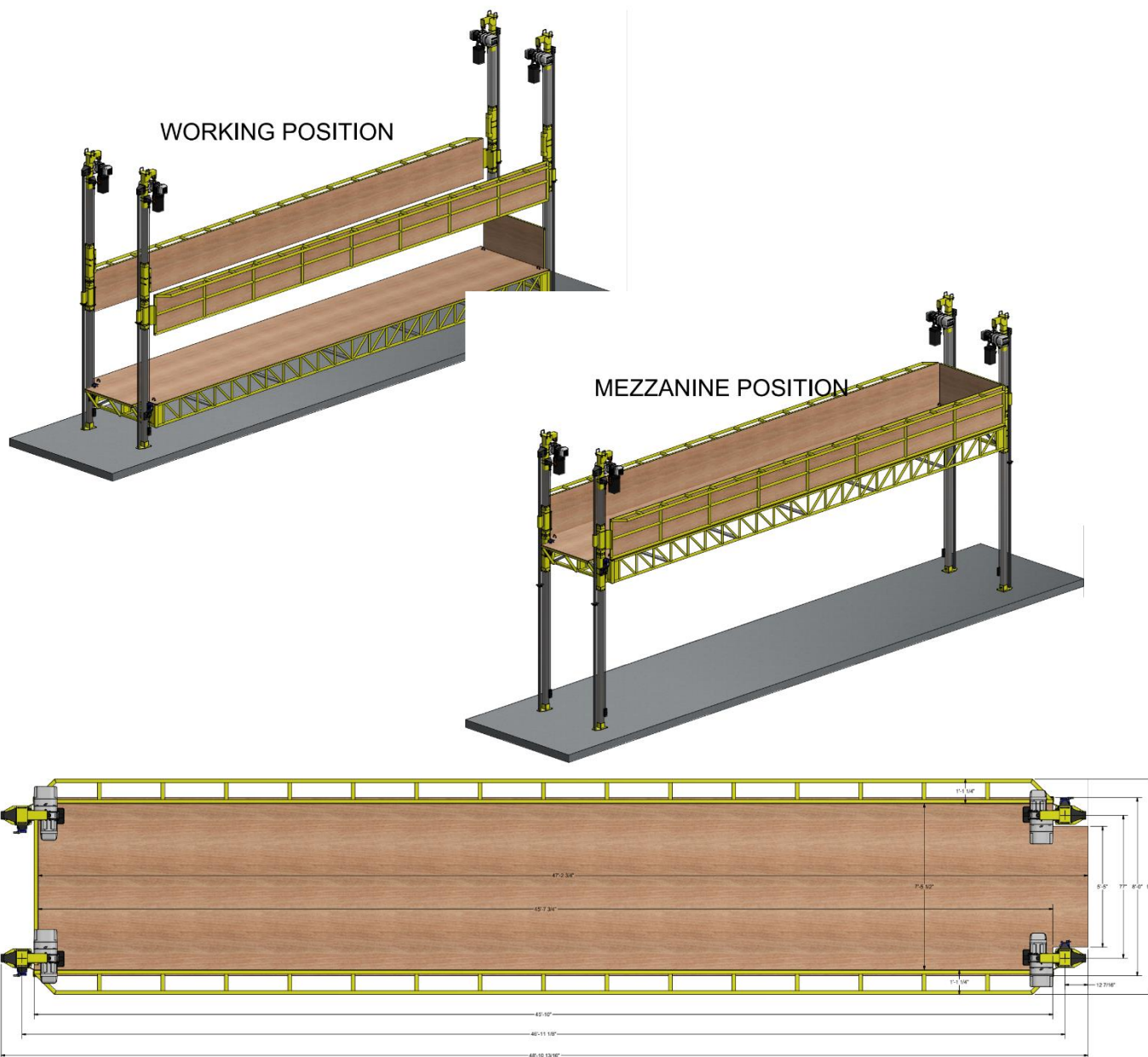
Mezzanine

Fall Protection

Fall Protection

Misc.

Misc.



Product specifications and dimensions are approximate and for informational purposes only. Variations may occur due to design or manufacturing adjustments. For exact measurements, please confirm with our customer service before ordering. PWI reserves the right to modify specifications without notice.



Single Work Platform



Product Description

- A single work platform used at stations where only one side of a unit needs to be accessed, or when a workstation is outside of the main production line.

Product Features

- Load Arrestor System for added safety
- Wireless controls
- Additional safety options include beacons, buzzers, time delays

Cranes

Cranes

Mezzanine

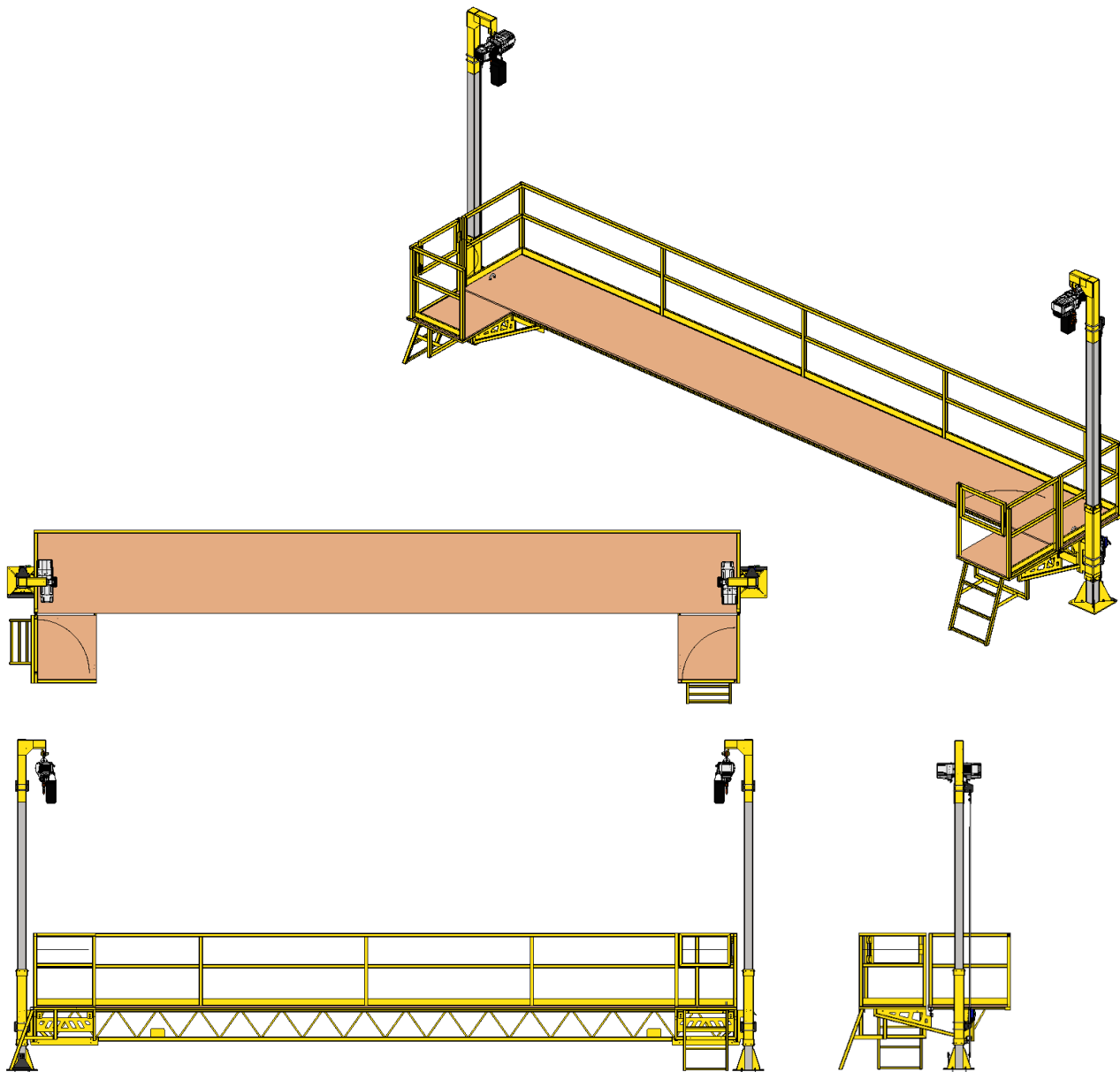
Mezzanine

Fall Protection

Fall Protection

Misc.

Misc.



Product specifications and dimensions are approximate and for informational purposes only. Variations may occur due to design or manufacturing adjustments. For exact measurements, please confirm with our customer service before ordering. PWI reserves the right to modify specifications without notice.



Standard Crosswalk

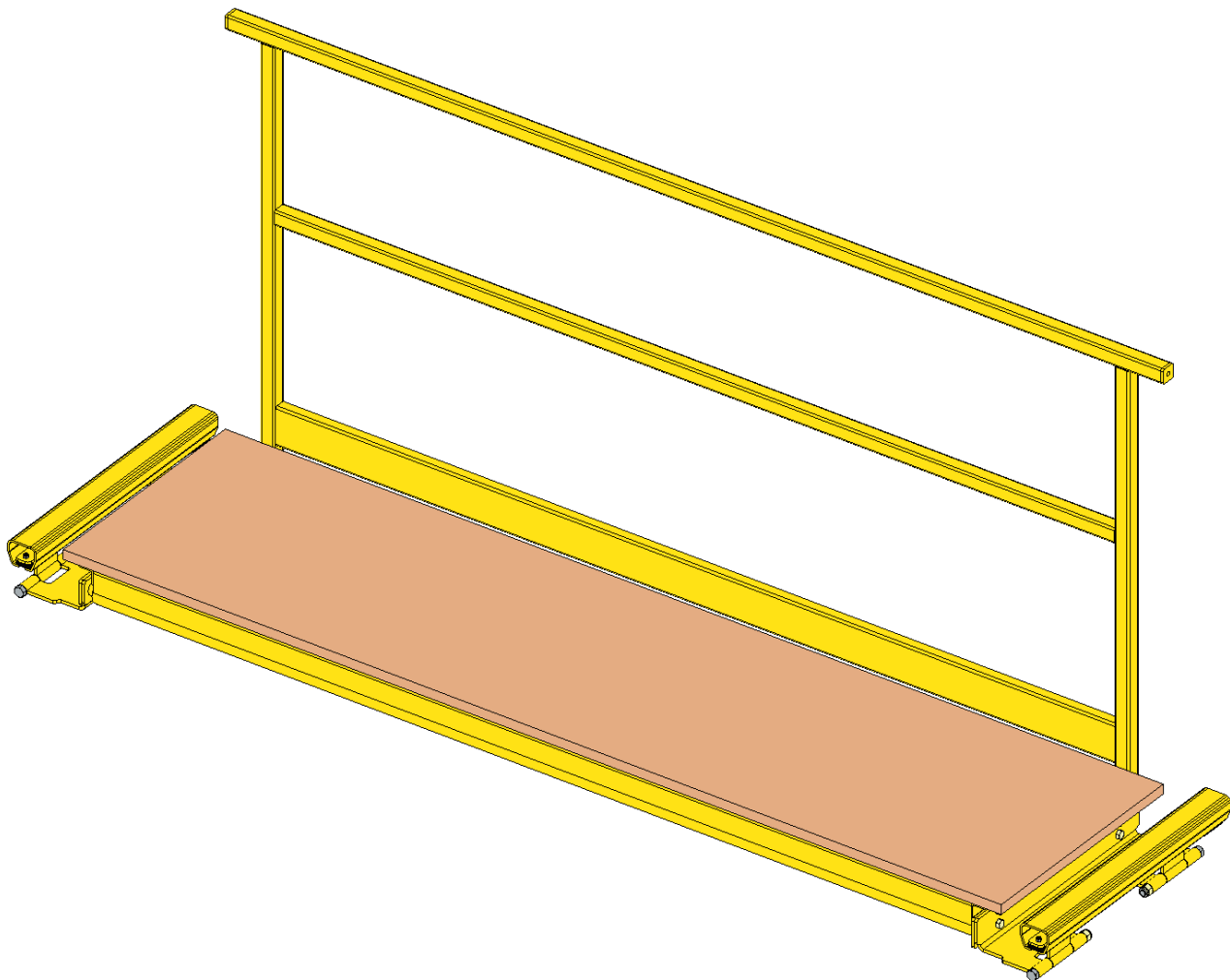


Product Description

- PWI's standard crosswalk allows the manufacturer to walk from one work platform to the adjacent work platform. This saves the manufacturer time to in having to exit the work platform and entering from a different entrance. The sliding guides inside the 300 series track allows the operator to move the crosswalk close enough to the unit so there is no risk of falling.

Product Features

- Capacity: 1 person + 50 lbs. of tools
- Inner Guardrail Compatibility: Telescoping Guardrail, Bolt-on Guardrail, Welded Guardrail
- Inside Treatment Options: Corner Fill-in, Gap Fill-in, Inner Guardrail
- Rear Guardrail: Welded
- Max work platform differential: 4'



Cranes

Cranes

Mezzanine

Mezzanine

Fall Protection

Fall Protection

Misc.

Misc.

Product specifications and dimensions are approximate and for informational purposes only. Variations may occur due to design or manufacturing adjustments. For exact measurements, please confirm with our customer service before ordering. PWI reserves the right to modify specifications without notice.



Expandable Crosswalk



Product Description

- PWI's expandable crosswalk serves the same person as the standard crosswalk, but the multi-section floor design eliminates the need to for inner guardrail almost entirely. The first section of the expandable crosswalk (base) is clamped to the 300 series track to so that it can't move. The rest of the floor sections expand in and out from the base to close the gap to the unit so that there is no risk of falling. This crosswalk is ideal for manufacturing different lengths of units within the same work platform station.

Product Features

- Capacity: 1 person + 50 lbs. of tools
- Inner Guardrail Compatibility: N/A
- Inside Treatment Options: Corner Fill-in, Gap Fill-in, Inner Guardrail
- Rear Guardrail: U-bolted
- Max work platform differential: 4'
- Panel Quantity Options: See Diagram C

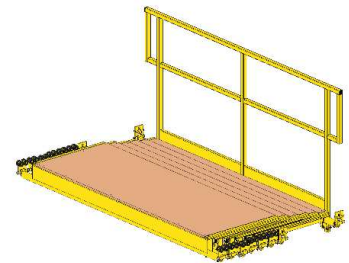


Diagram A

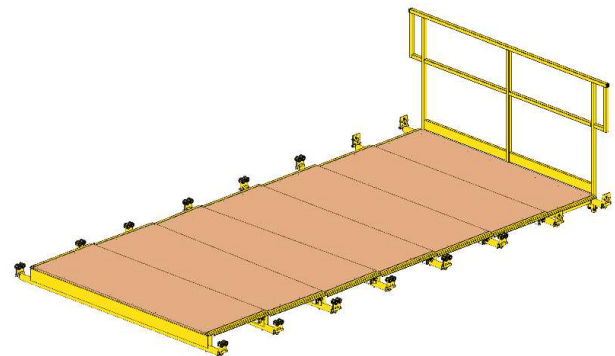


Diagram B

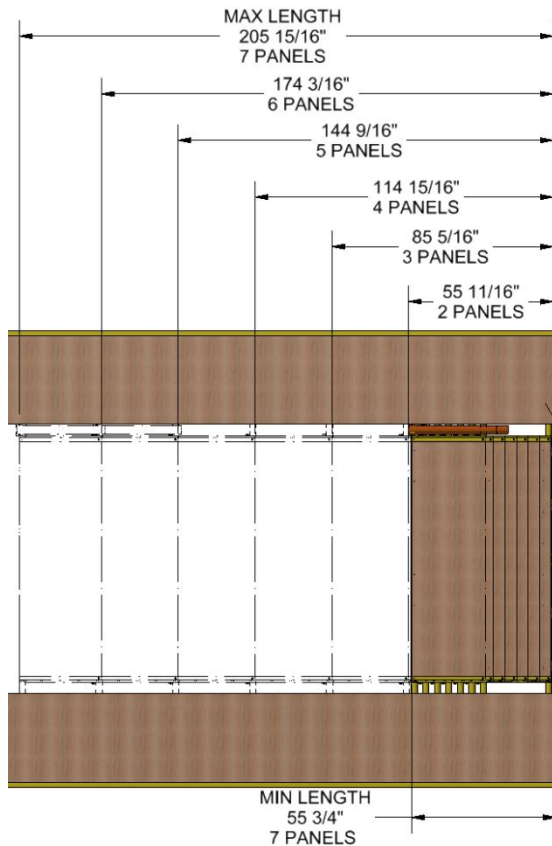


Diagram C

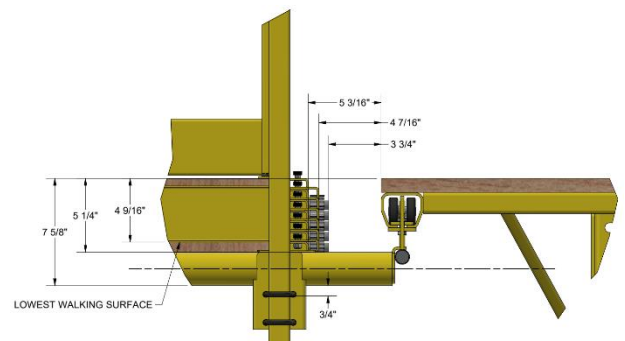


Diagram D

Product specifications and dimensions are approximate and for informational purposes only. Variations may occur due to design or manufacturing adjustments. For exact measurements, please confirm with our customer service before ordering. PWI reserves the right to modify specifications without notice.



Cranes

Cranes

Mezzanine

Mezzanine

Fall Protection

Fall Protection

Misc.

Misc.

Telescoping Crosswalk

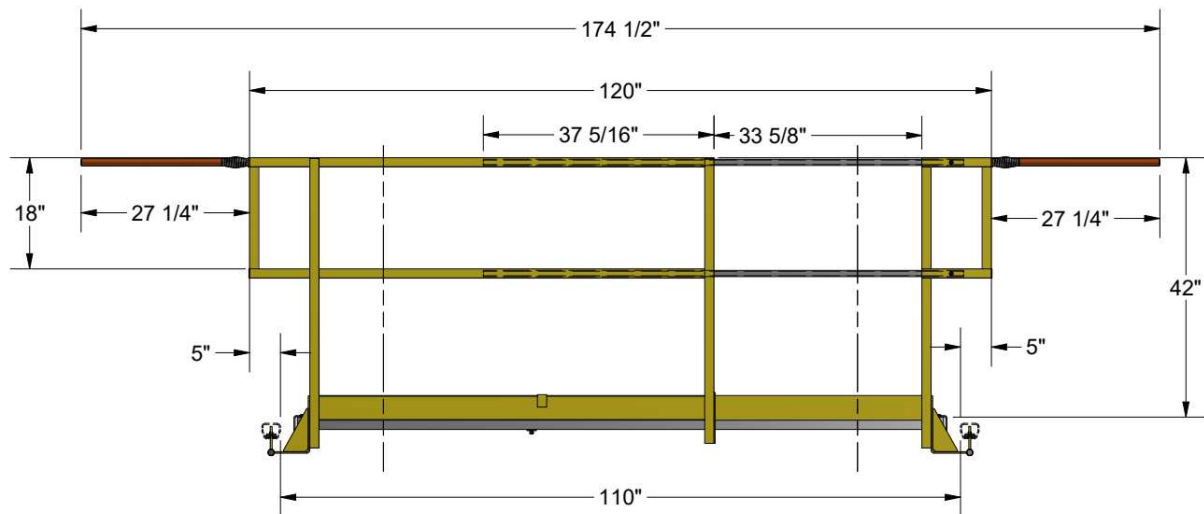
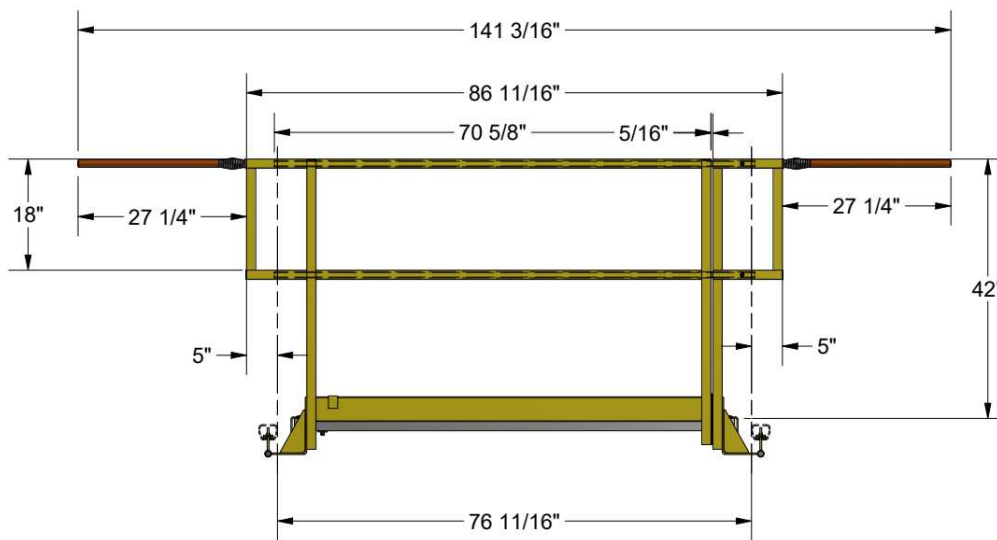
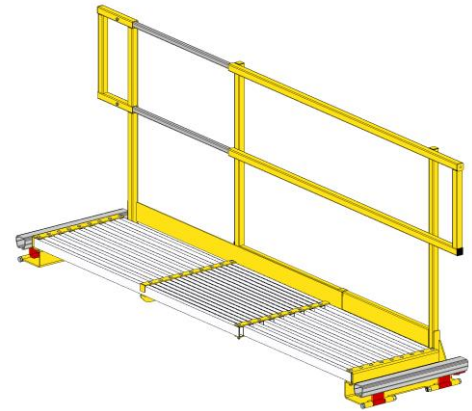


Product Description

- Enables adjustability in the workplatform's working area.

Product Features

- Modified Werner Planks



Product specifications and dimensions are approximate and for informational purposes only. Variations may occur due to design or manufacturing adjustments. For exact measurements, please confirm with our customer service before ordering. PWI reserves the right to modify specifications without notice.



Pivot Rail Crosswalk

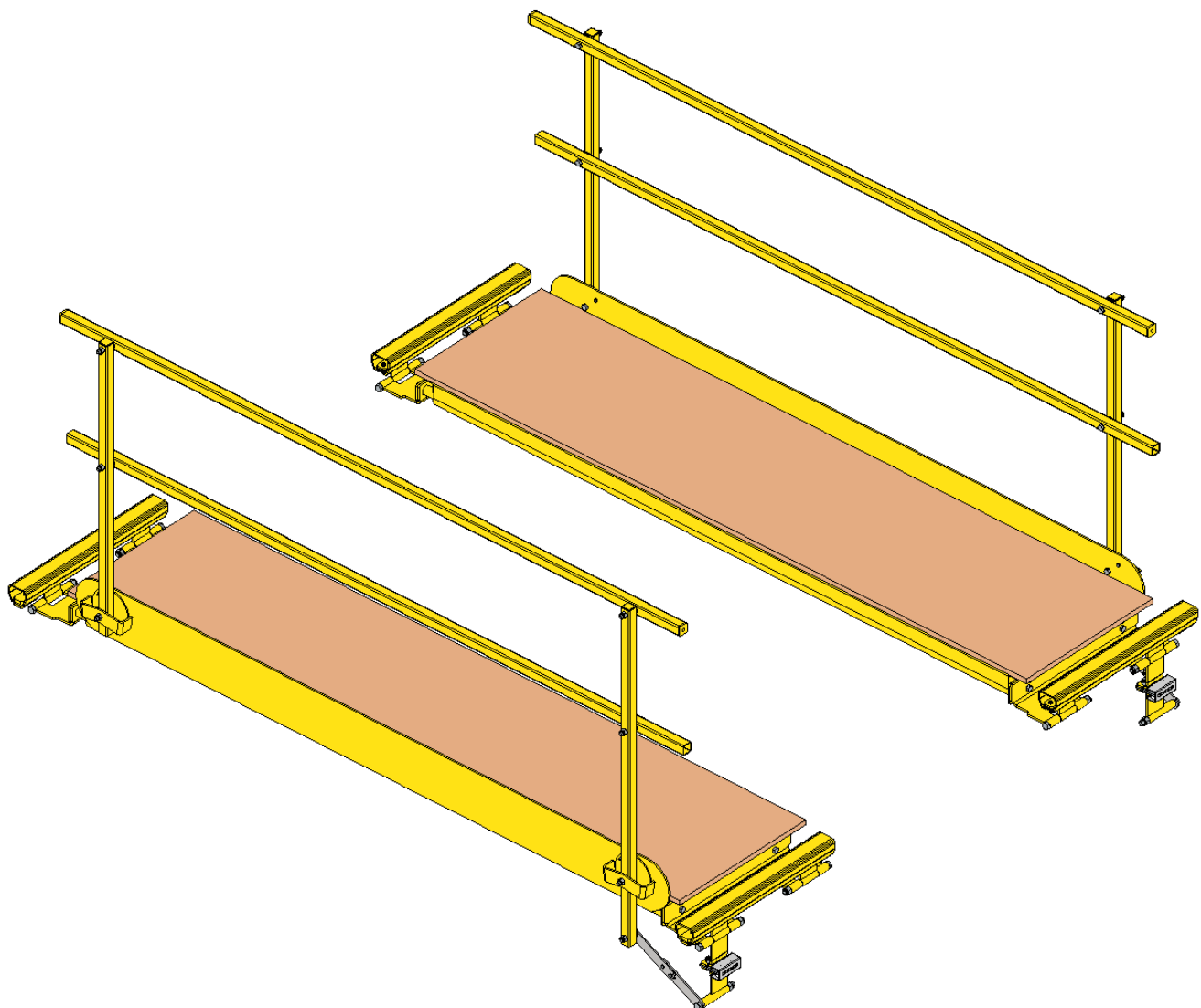


Product Description

- A crosswalk to allow access between work platforms. The guardrail pivots when there is varied height between work platforms, as they are raised and lowered. This helps to avoid collisions with any guardrail or items on the interior of the work platform.

Product Features

- Inside Treatment Options: Corner-Fillin, Gap Fillin, Inner Guardrail



Cranes

Cranes

Mezzanine

Mezzanine

Fall Protection

Fall Protection

Misc.

Misc.

Product specifications and dimensions are approximate and for informational purposes only. Variations may occur due to design or manufacturing adjustments. For exact measurements, please confirm with our customer service before ordering. PWI reserves the right to modify specifications without notice.



Cantilever Crosswalk



Product Description

- A cantilever crosswalk can be used on a single platform to allow access around the front or back of a slideout. When used in a set of platforms, they allow the passage of a hoist chain between them while still providing personnel access to both platforms.

Product Features

- UHMW on sliding surfaces to provide smooth operation
- Safety guardrails

Cranes

Cranes

Mezzanine

Mezzanine

Fall Protection

Fall Protection

Misc.

Misc.



Product specifications and dimensions are approximate and for informational purposes only. Variations may occur due to design or manufacturing adjustments. For exact measurements, please confirm with our customer service before ordering. PWI reserves the right to modify specifications without notice.



Hanging Guardrail

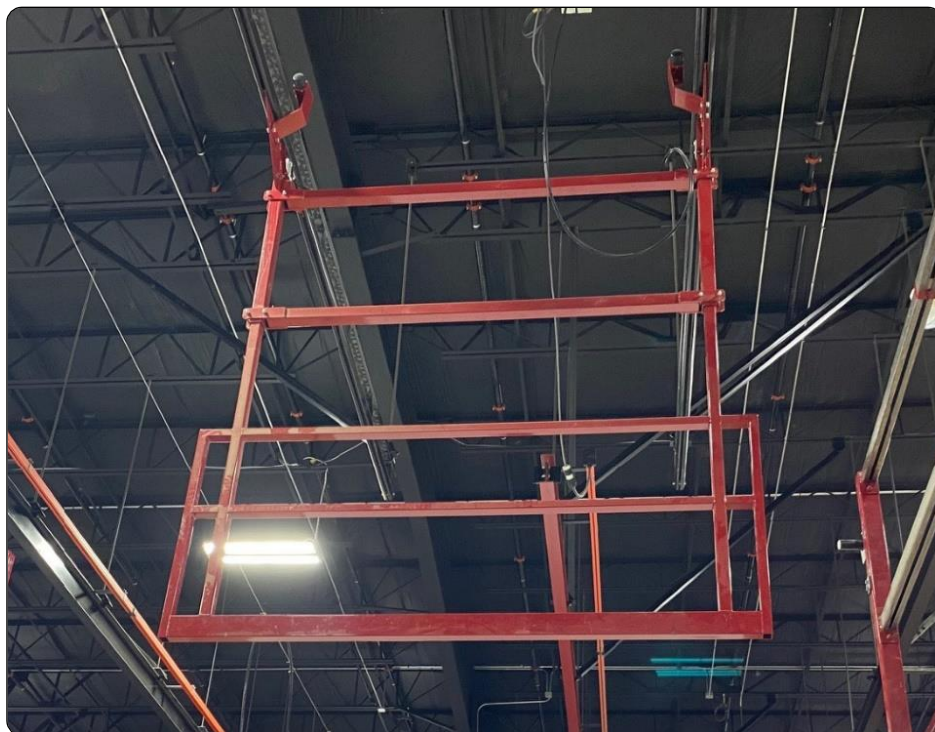


Product Description

- Adjustable guardrail to protect personnel working on the roof of a unit.

Product Features

- End truck wheels include ball bearings and acetal plastic treads
- Adjustable height and position
- Pneumatic brake activated with remote



Cranes

Mezzanine

Fall Protection

Misc.

Cranes

Mezzanine

Fall Protection

Misc.



Miscellaneous Index



Cranes

- [Frame Rotation](#)
- [Storage Racks](#)
- [Rolling Work Bench](#)
- [Weld Curtain](#)
- [Skids](#)
- [Dolleys](#)
- [Enclosed Track](#)
- [Policies and SOP](#)

Cranes

Mezzanine

Mezzanine

Fall Protection

Fall Protection

Misc.

Misc.

Product specifications and dimensions are approximate and for informational purposes only. Variations may occur due to design or manufacturing adjustments. For exact measurements, please confirm with our customer service before ordering. PWI reserves the right to modify specifications without notice.



RV Frame Rotator



Model Number: 4K72R

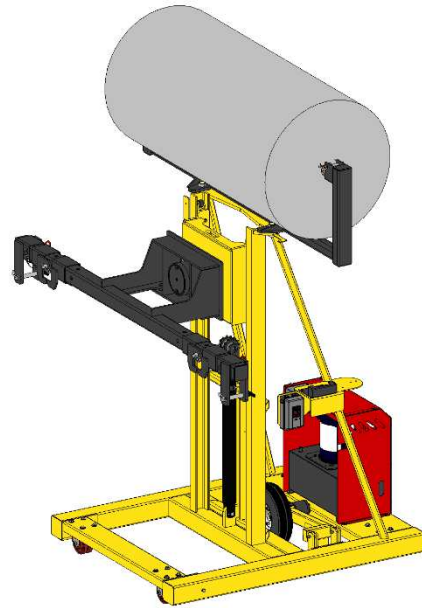
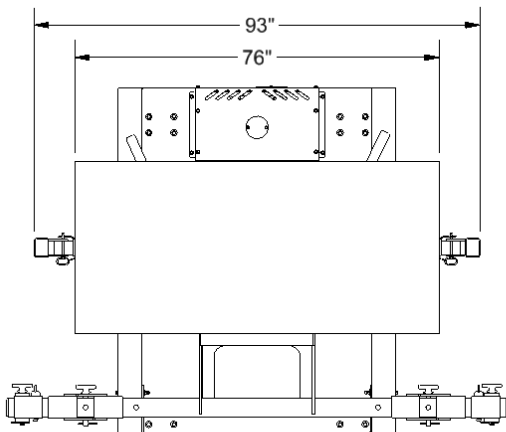
- 4,000lb. Capacity
- Hydraulic:
 - Lift/Lower
 - Rotate
 - Unit Travel

Cranes

Cranes

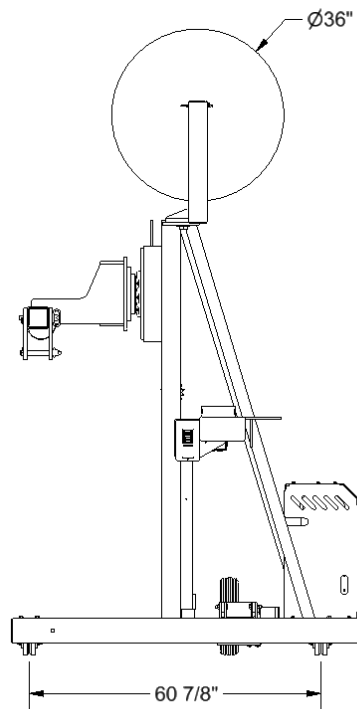
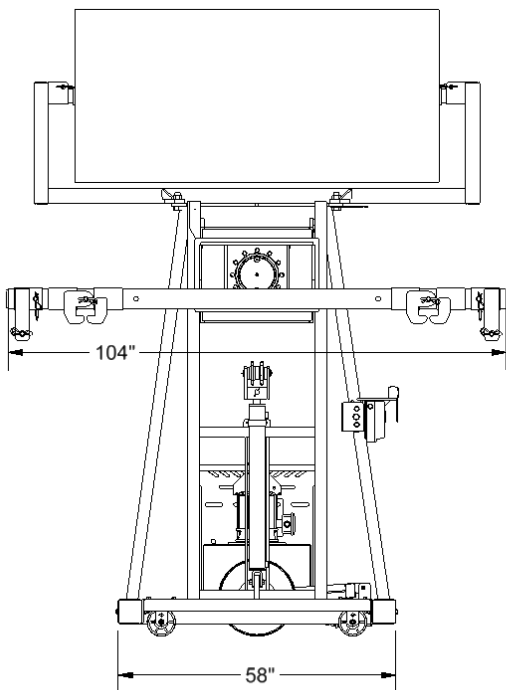
Mezzanine

Mezzanine



Fall Protection

Fall Protection



Misc.

Misc.

Product specifications and dimensions are approximate and for informational purposes only. Variations may occur due to design or manufacturing adjustments. For exact measurements, please confirm with our customer service before ordering. PWI reserves the right to modify specifications without notice.



RV Frame Rotator



Model Number: 6K72R

- 6,000lb. Capacity
- Hydraulic:
 - Lift/Lower
 - Rotate
 - Unit Travel

Cranes

Cranes

Mezzanine

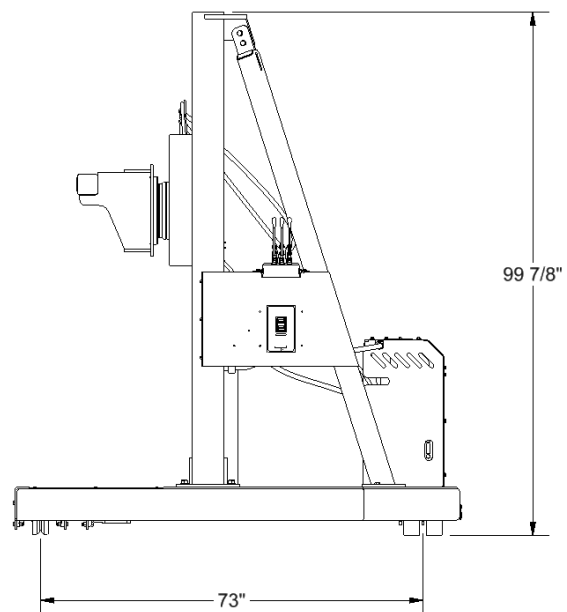
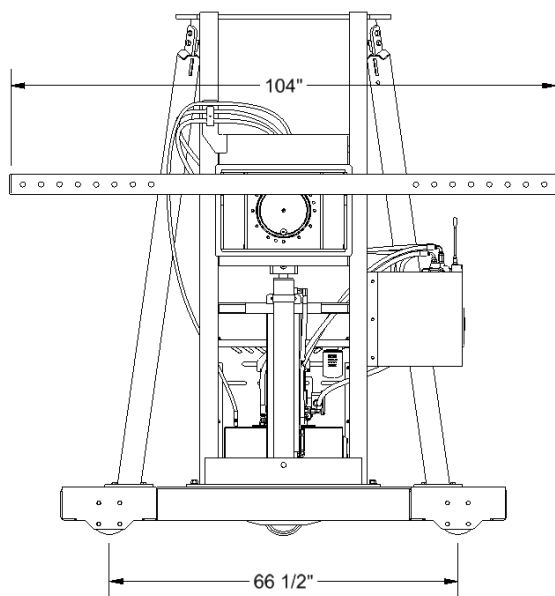
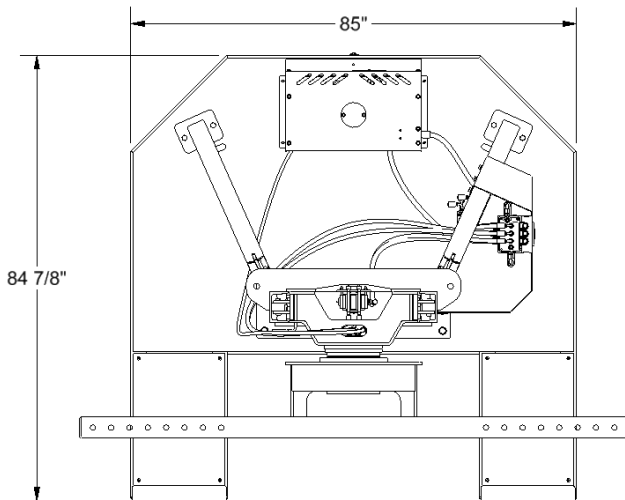
Mezzanine

Fall Protection

Fall Protection

Misc.

Misc.



Product specifications and dimensions are approximate and for informational purposes only. Variations may occur due to design or manufacturing adjustments. For exact measurements, please confirm with our customer service before ordering. PWI reserves the right to modify specifications without notice.



Linoleum Rach Storage Dispenser



- (18) Roll Capacity
- Max Roll Weight: 800lb.

Cranes

Mezzanine

Fall Protection

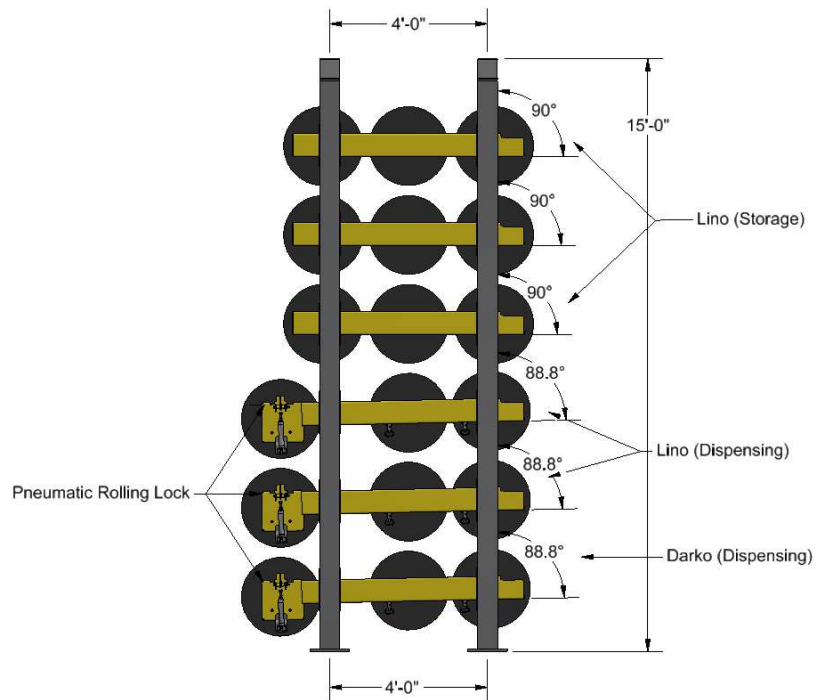
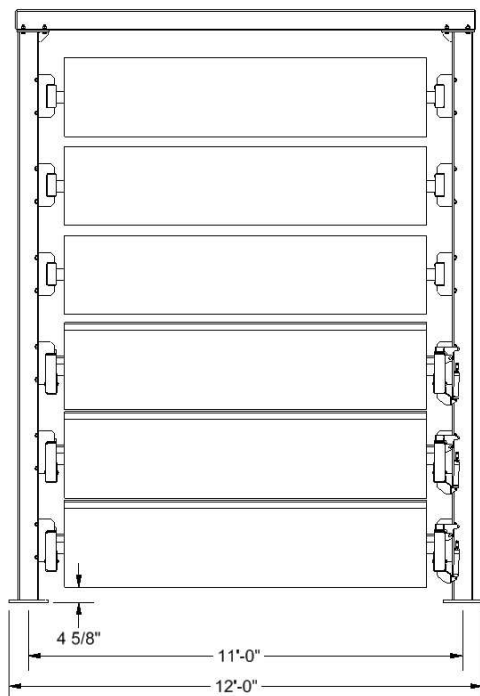
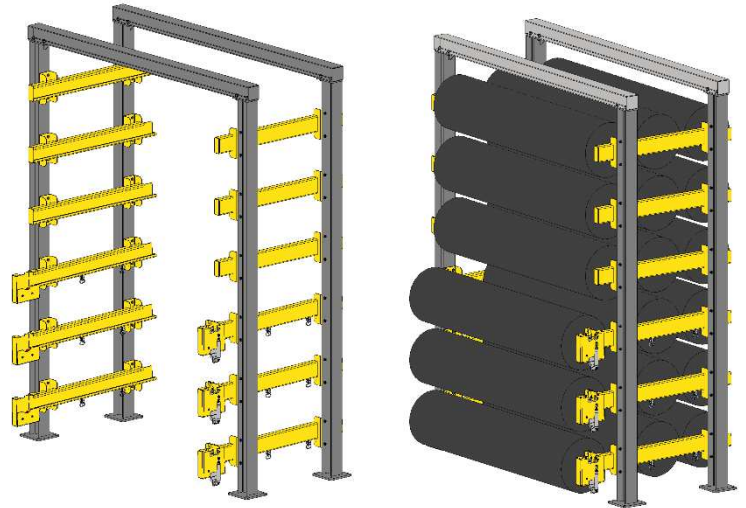
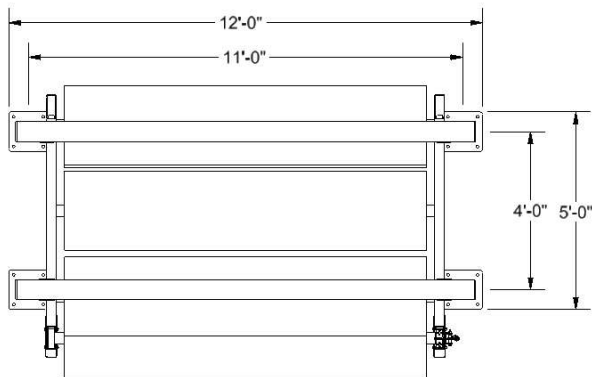
Misc.

Cranes

Mezzanine

Fall Protection

Misc.



Product specifications and dimensions are approximate and for informational purposes only. Variations may occur due to design or manufacturing adjustments. For exact measurements, please confirm with our customer service before ordering. PWI reserves the right to modify specifications without notice.



Rolling Work Bench

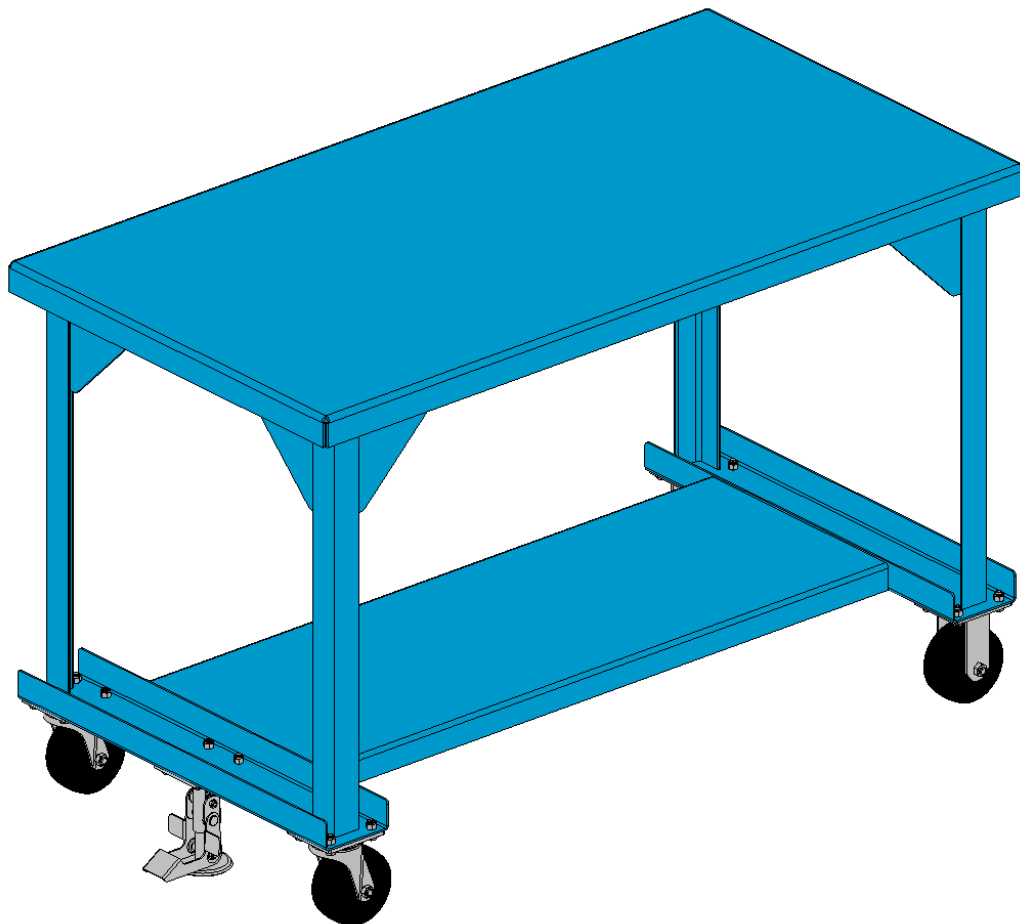


Product Description

A heavy-duty table on casters. This gives you a mobile, sturdy storage table workspace, which can be made stationary via the included floor lock.

Product Features

- 30"W X 56-1/2"L X 36"H
- Lower storage shelf
- Swivel and rigid castors (steel or plastic)
- Floor lock
- Capacity: 500 lbs.



Cranes

Cranes

Mezzanine

Mezzanine

Fall Protection

Fall Protection

Misc.

Misc.

Product specifications and dimensions are approximate and for informational purposes only. Variations may occur due to design or manufacturing adjustments. For exact measurements, please confirm with our customer service before ordering. PWI reserves the right to modify specifications without notice.



Weld Curtain Enclosure



- Weld Curtain
- Modular
- Customizable
- Weld Smoke/Exhaust Containment

Cranes

Cranes

Mezzanine

Mezzanine



Fall Protection

Fall Protection

Misc.

Misc.



Product specifications and dimensions are approximate and for informational purposes only. Variations may occur due to design or manufacturing adjustments. For exact measurements, please confirm with our customer service before ordering. PWI reserves the right to modify specifications without notice.



Fiberglass Transport Skids



- Size: 102" x 110"
- Max Weight:

Cranes

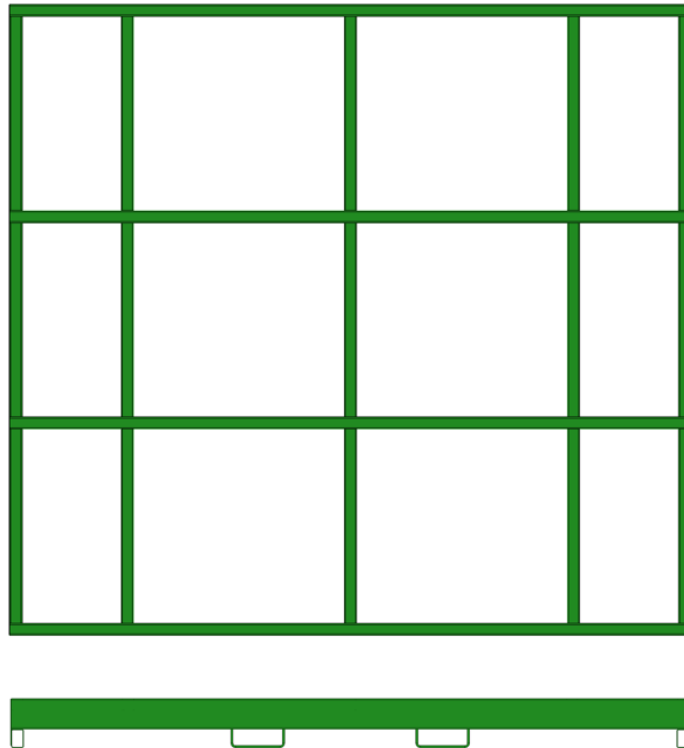
Cranes

Mezzanine

Mezzanine

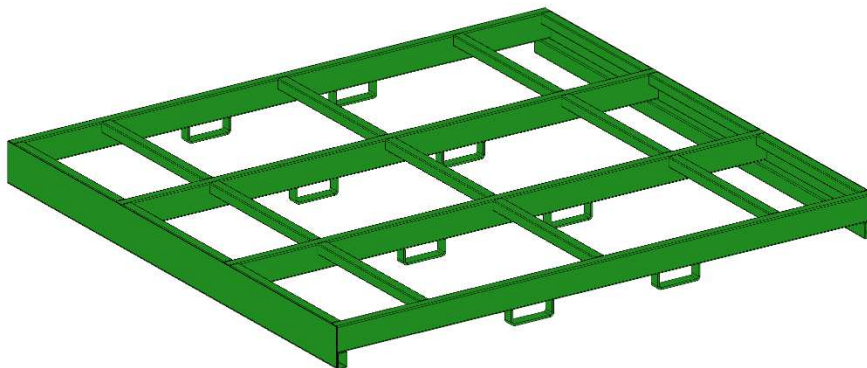
Fall Protection

Fall Protection



Misc.

Misc.



Product specifications and dimensions are approximate and for informational purposes only. Variations may occur due to design or manufacturing adjustments. For exact measurements, please confirm with our customer service before ordering. PWI reserves the right to modify specifications without notice.



Fiberglass Transport Skids



- Size: 102" x 40ft.
- Max Weight:

Cranes

Cranes

Mezzanine

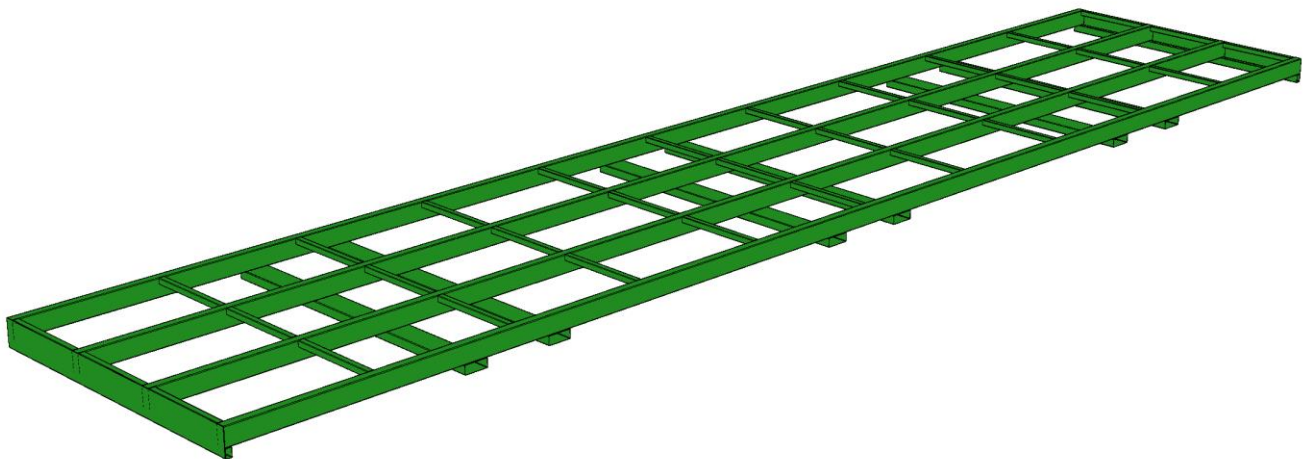
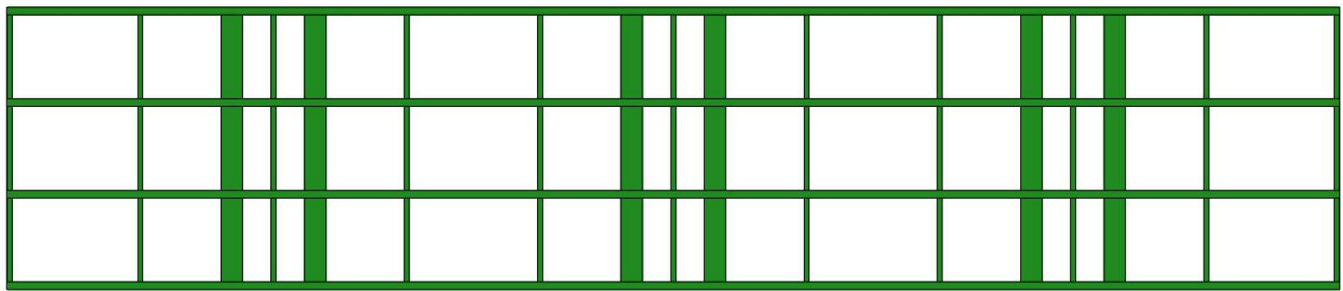
Mezzanine

Fall Protection

Fall Protection

Misc.

Misc.



Product specifications and dimensions are approximate and for informational purposes only. Variations may occur due to design or manufacturing adjustments. For exact measurements, please confirm with our customer service before ordering. PWI reserves the right to modify specifications without notice.



Motorized Towable Tandem Axle Dolley With Track

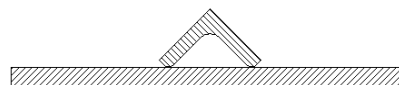
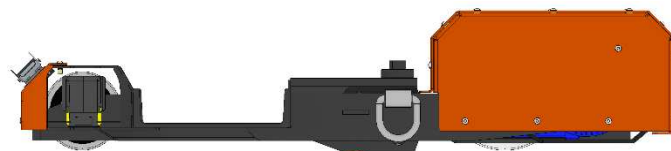
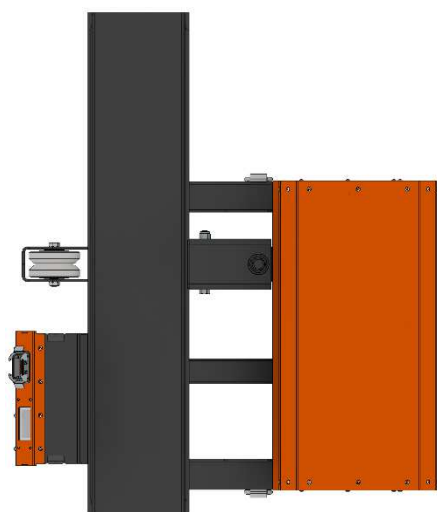
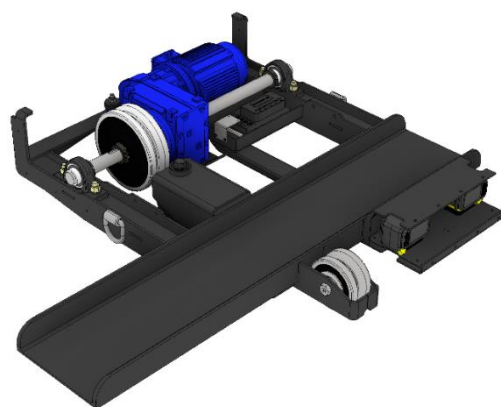
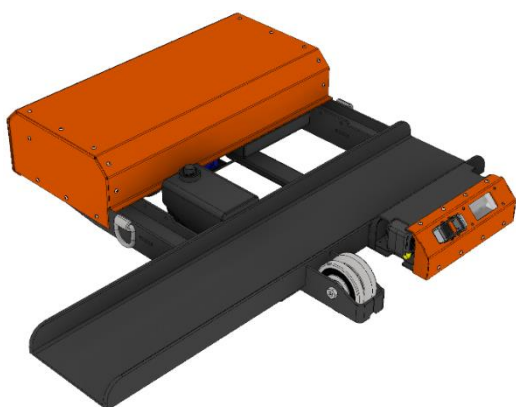


Product Description

- Motorized RV Production Line Dolley

Product Features

- Pendant Controlled
- DC Powered: (2) DeWALT Flex Volt Batteries
- Variable Speed Control
- Safety horn and strobe light during operation
- Capacity: 3.5 Ton
- Angle Iron Floor Track
- V Groove Wheels



Product specifications and dimensions are approximate and for informational purposes only. Variations may occur due to design or manufacturing adjustments. For exact measurements, please confirm with our customer service before ordering. PWI reserves the right to modify specifications without notice.



Cranes

Cranes

Mezzanine

Mezzanine

Fall Protection

Fall Protection

Misc.

Misc.

Motorized Towable Tandem Axle Dolley Without Track



Product Description

- Motorized RV Production Line Dolley

Product Features

- Pendant Controlled
- DC Powered: (2) DeWALT Flex Volt Batteries
- Variable Speed Control
- Safety horn and strobe light during operation
- Urethane Wheels



Cranes

Cranes

Mezzanine

Mezzanine

Fall Protection

Fall Protection

Misc.

Misc.

Product specifications and dimensions are approximate and for informational purposes only. Variations may occur due to design or manufacturing adjustments. For exact measurements, please confirm with our customer service before ordering. PWI reserves the right to modify specifications without notice.



Motorized Towable Tandem Axle Dolley



Cranes

Cranes

Mezzanine

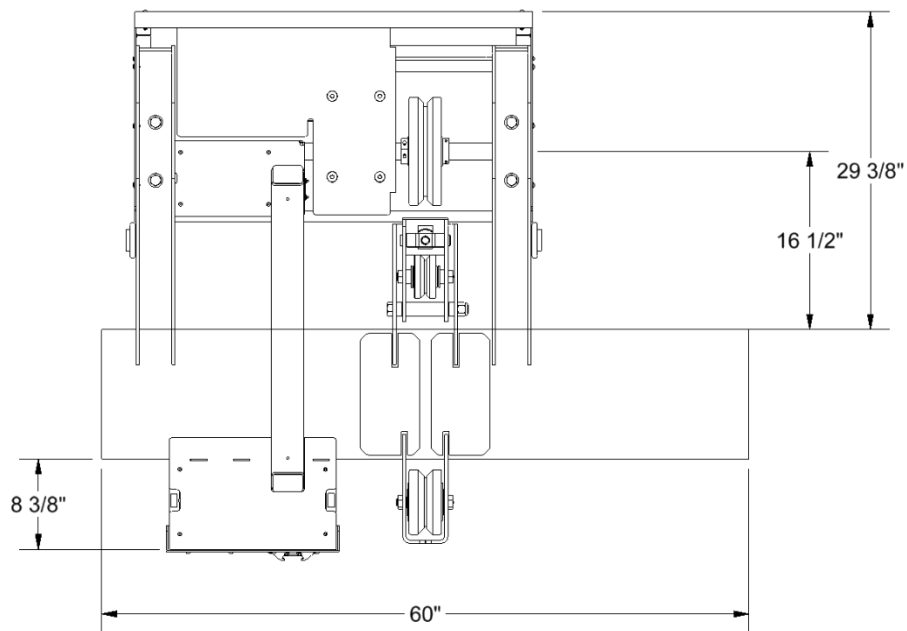
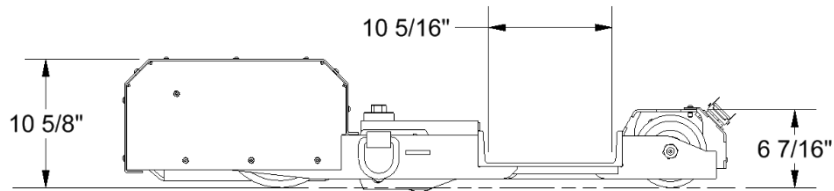
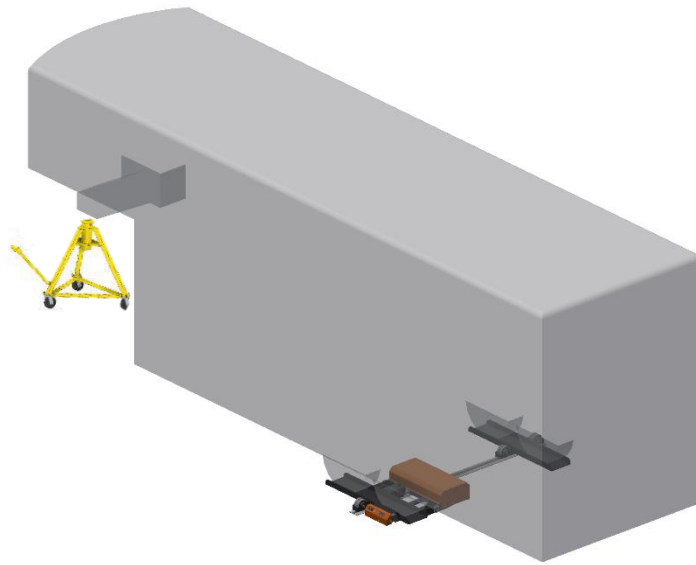
Mezzanine

Fall Protection

Fall Protection

Misc.

Misc.



Product specifications and dimensions are approximate and for informational purposes only. Variations may occur due to design or manufacturing adjustments. For exact measurements, please confirm with our customer service before ordering. PWI reserves the right to modify specifications without notice.



Motorized Towable Tri-axle Dolley with Track



Product Description

- Motorized RV Production Line Dolley

Product Features

- Pendant Controlled
- DC Powered: (2) DeWALT Flex Volt Batteries
- Variable Speed Control
- Safety horn and strobe light during operation
- Capacity: 7 Ton
- Urethane Wheels
- V Groove Wheels



Cranes

Cranes

Mezzanine

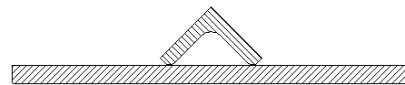
Mezzanine

Fall Protection

Fall Protection

Misc.

Misc.



Product specifications and dimensions are approximate and for informational purposes only. Variations may occur due to design or manufacturing adjustments. For exact measurements, please confirm with our customer service before ordering. PWI reserves the right to modify specifications without notice.



Motorized Towable Tri-axle Dolley without Track



Product Description

- Motorized RV Production Line Dolley

Product Features

- Pendant Controlled
- DC Powered: (2) DeWALT Flex Volt Batteries
- Variable Speed Control
- Safety horn and strobe light during operation
- Capacity: 5 Ton
- Urethane Wheels



Cranes

Mezzanine

Fall Protection

Misc.

Cranes

Mezzanine

Fall Protection

Misc.

Product specifications and dimensions are approximate and for informational purposes only. Variations may occur due to design or manufacturing adjustments. For exact measurements, please confirm with our customer service before ordering. PWI reserves the right to modify specifications without notice.



Manual Towable Tandem Axle Dolly

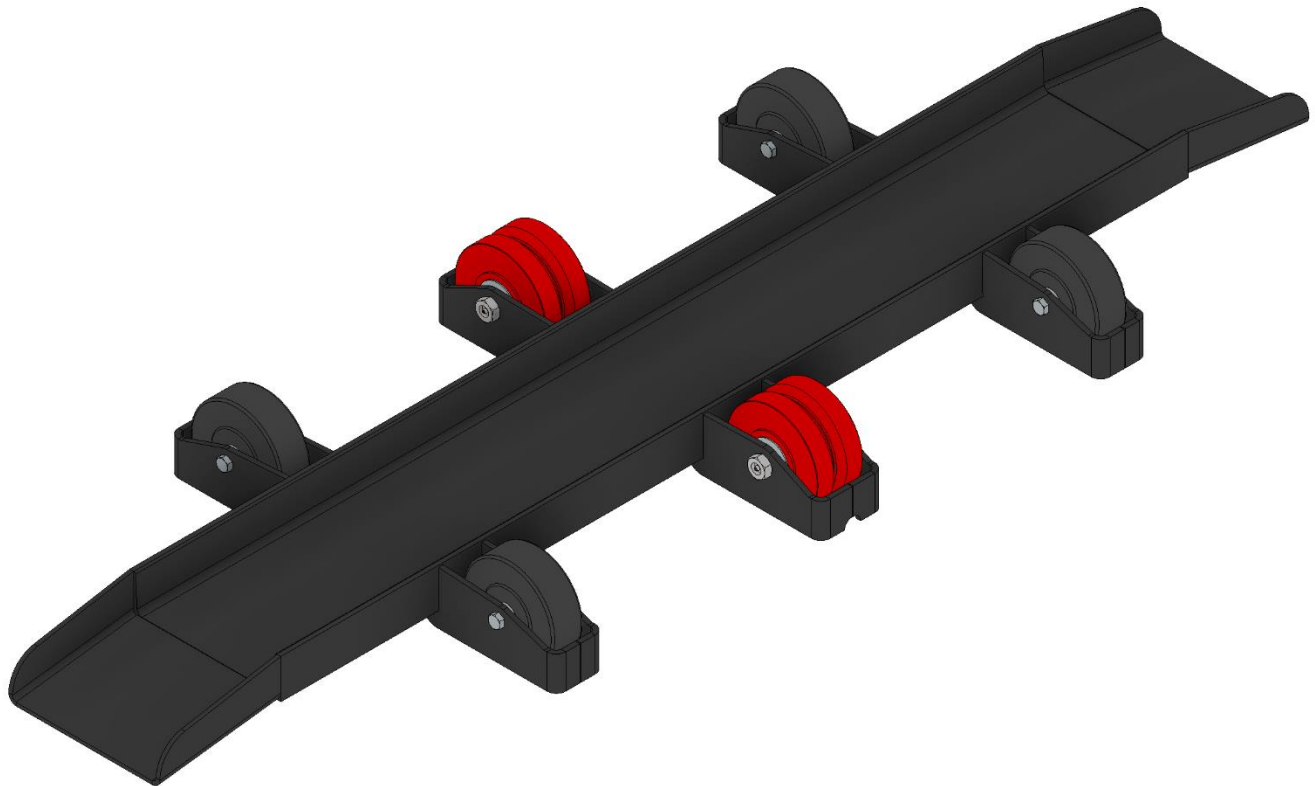


Product Description

- Production line dolly. Pushed by worker

Product Features

- Configurable



Cranes

Cranes

Mezzanine

Mezzanine

Fall Protection

Fall Protection

Misc.

Misc.

Product specifications and dimensions are approximate and for informational purposes only. Variations may occur due to design or manufacturing adjustments. For exact measurements, please confirm with our customer service before ordering. PWI reserves the right to modify specifications without notice.



Manual Dual Wheel Dolly

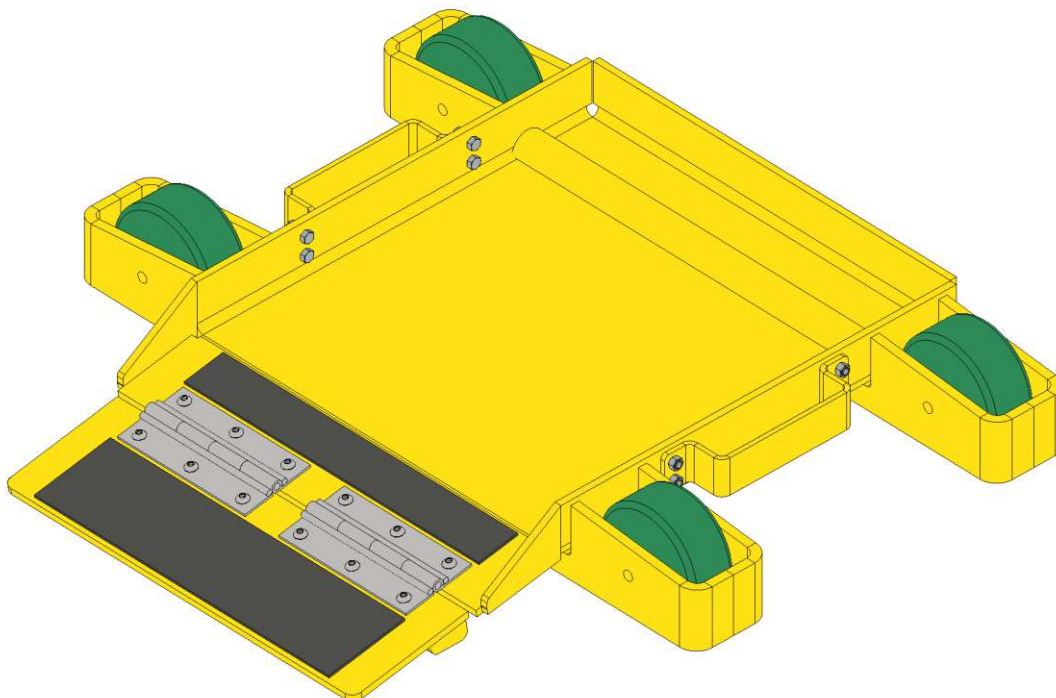


Product Description

- Dual Wheel Production Line Dolly

Product Features

- Manual movement
- Configurable for different units
- Optional floor lock
- Caster Types
 - Cast iron V-Groove casters for floor track
 - Plastic wheel casters for free movement



Cranes

Mezzanine

Fall Protection

Misc.

Cranes

Mezzanine

Fall Protection

Misc.



Manual Single Wheel Dolly

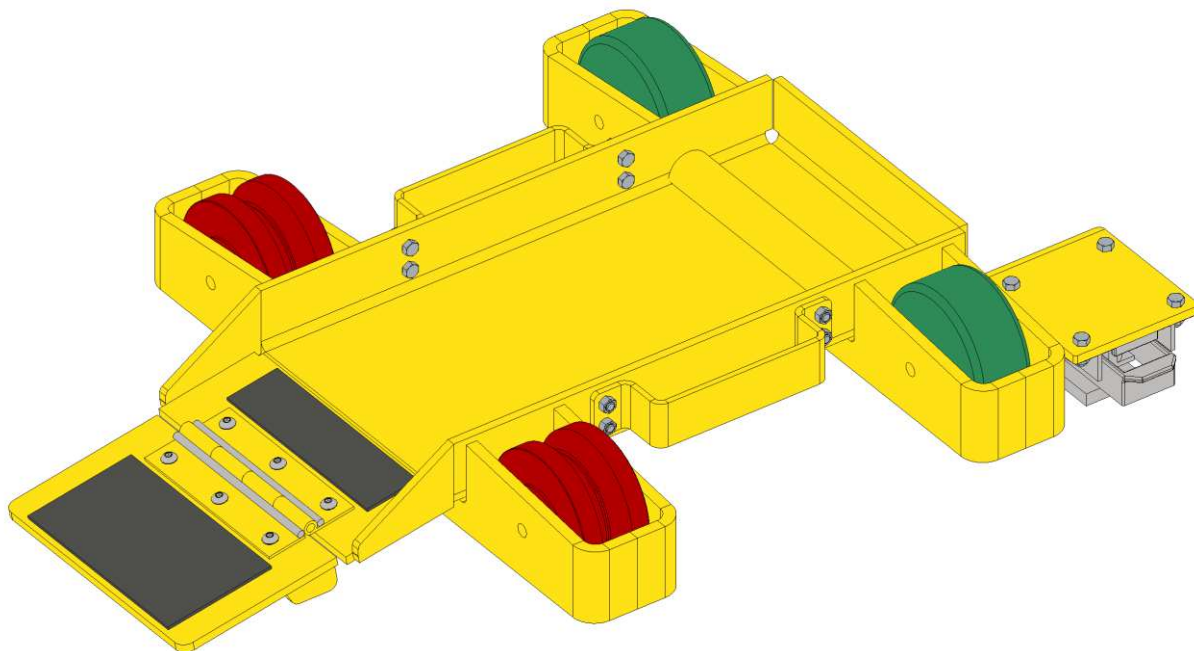


Product Description

- Single Wheel Production Line Dolly

Product Features

- Manual movement
- Configurable for different units
- Optional floor lock
- Caster Types
 - Cast iron V-Groove casters for floor track
 - Plastic wheel casters for free movement



Product specifications and dimensions are approximate and for informational purposes only. Variations may occur due to design or manufacturing adjustments. For exact measurements, please confirm with our customer service before ordering. PWI reserves the right to modify specifications without notice.



Front Fifth Wheel Dolley



Product Description

Product Features

- Capacity: 3,600 lbs.
- Three wheeled design for stability
- Tow handle for ease of use



Cranes

Mezzanine

Fall Protection

Misc.

Cranes

Mezzanine

Fall Protection

Misc.



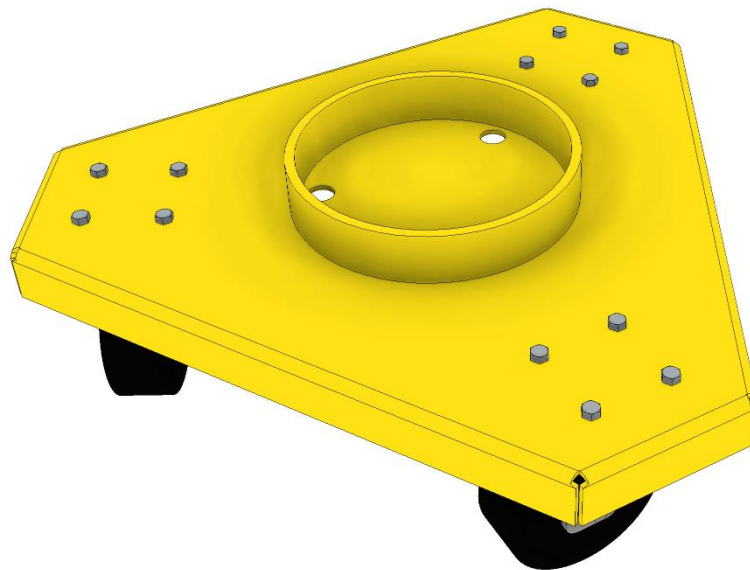
Front Fifth Wheel Jack Dolley



Product Description

Product Features

- Capacity: 3,600 lbs.
- Three wheeled design for stability
- Compatible: fifth wheel front jacks



Cranes

Cranes

Mezzanine

Mezzanine

Fall Protection

Fall Protection

Misc.

Misc.

Product specifications and dimensions are approximate and for informational purposes only. Variations may occur due to design or manufacturing adjustments. For exact measurements, please confirm with our customer service before ordering. PWI reserves the right to modify specifications without notice.



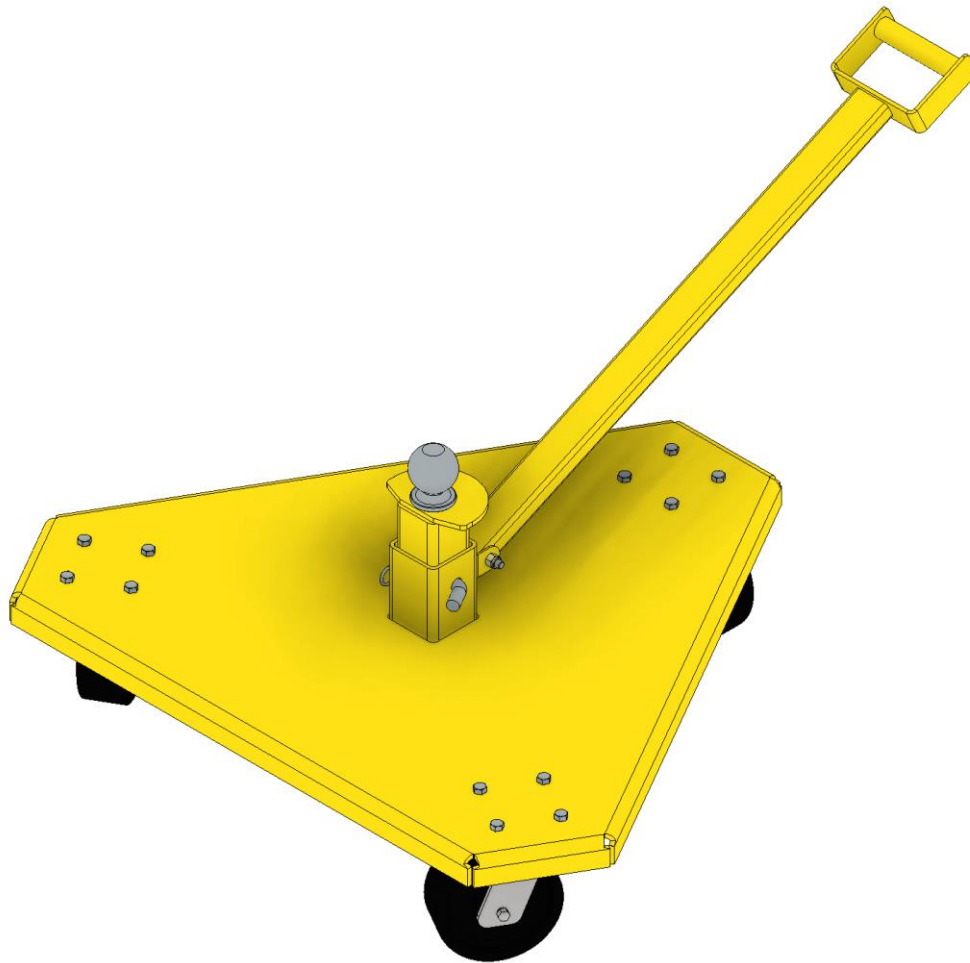
Front Travel Trailer Dolley



Product Description

Product Features

- Capacity: 3,600 lbs.
- Three wheeled design for stability
- Tow handle for ease of use



Cranes

Cranes

Mezzanine

Mezzanine

Fall Protection

Fall Protection

Misc.

Misc.

Product specifications and dimensions are approximate and for informational purposes only. Variations may occur due to design or manufacturing adjustments. For exact measurements, please confirm with our customer service before ordering. PWI reserves the right to modify specifications without notice.



Rubber Roof Dispenser



Cranes

Cranes

Mezzanine

Mezzanine

Fall Protection

Fall Protection



Misc.

Misc.

Product specifications and dimensions are approximate and for informational purposes only. Variations may occur due to design or manufacturing adjustments. For exact measurements, please confirm with our customer service before ordering. PWI reserves the right to modify specifications without notice.



Enclosed Track



Product Description

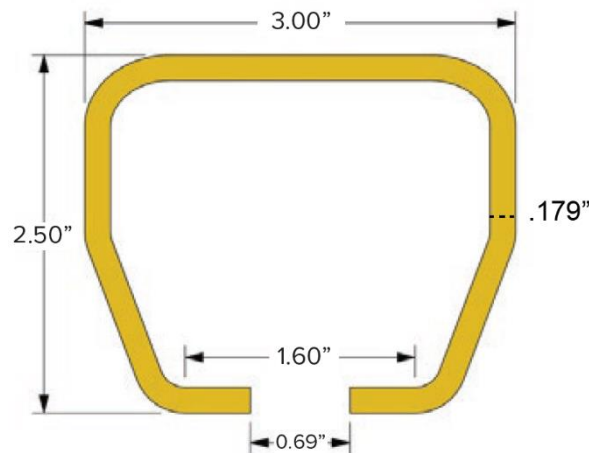
- 300 Series Track



300 Series Track

Engineered to work well as a light to medium duty option for a variety of applications from workstation cranes and jibs to fall protection.

SKU	Description	Finish	Length	Weight	List
S300-C	3" x 2.5" x 7ga (Grade #50 Steel)	Raw Unpainted	Cut to Any Custom Length	5lbs / ft	\$23/ft
S300-21	3" x 2.5" x 7ga (Grade #50 Steel)	Raw Unpainted	21' Stock	105 lbs	\$442
S300-32	3" x 2.5" x 7ga (Grade #50 Steel)	Raw Unpainted	32' Stock	160 lbs	\$671
S300-43	3" x 2.5" x 7ga (Grade #50 Steel)	Raw Unpainted	43' Stock	215 lbs	\$895
S300-53	3" x 2.5" x 7ga (Grade #50 Steel)	Raw Unpainted	53' Stock	265 lbs	\$1,087
S300-55	3" x 2.5" x 7ga (Grade #50 Steel)	Raw Unpainted	55' Stock	275 lbs	\$1,122



Product specifications and dimensions are approximate and for informational purposes only. Variations may occur due to design or manufacturing adjustments. For exact measurements, please confirm with our customer service before ordering. PWI reserves the right to modify specifications without notice.



Cranes

Cranes

Mezzanine

Mezzanine

Fall Protection

Fall Protection

Misc.

Misc.

Enclosed Track



Product Description

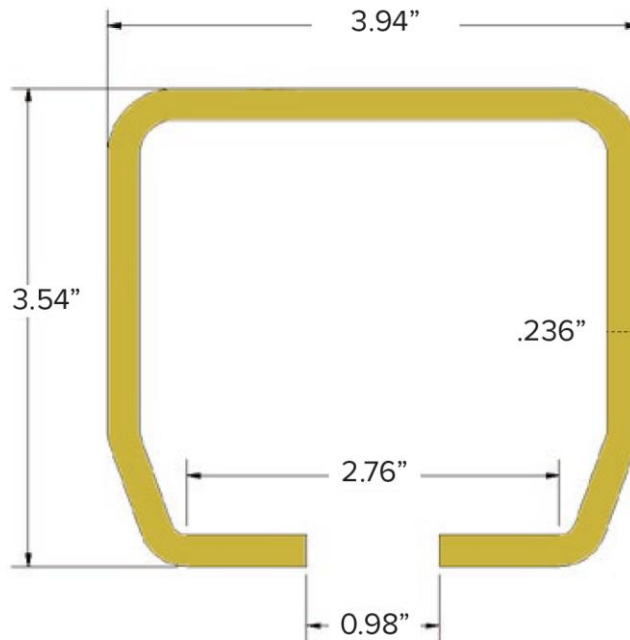
- 400 Series Track



400 Series Track

Engineered to work well as a medium to heavy duty option for a variety of applications from workstation cranes and jibs to fall protection requiring extended spans.

SKU	Description	Finish	Length	Weight	List
S400-C	4" x 3.5" x 1/4" (Grade A36 Steel)	Raw Unpainted	Cut to Any Custom Length	9.5lbs / ft	\$39/ft
S400-37	4" x 3.5" x 1/4" (Grade A36 Steel)	Raw Unpainted	37'-8" Stock	304lbs	\$1,095



Product specifications and dimensions are approximate and for informational purposes only. Variations may occur due to design or manufacturing adjustments. For exact measurements, please confirm with our customer service before ordering. PWI reserves the right to modify specifications without notice.



Navigating the Catalog



To the main menu

Standard Work Platform



Product Description

The ultimate solution for safe and efficient access to rooftops and sidewalls of RVs, trailers, or mobile homes. Easily adjust the height of the work platform to provide optimal reach for any job.

Product Features

- Dual electric chain hoists
- Safety load arrestor system
- Up/down limits
- Safety guardrails
- Crosswalks
- Custom configurations: platform width, length, distance between platforms
- Capacity ratings
- Wireless controls
- Safety options include: beacons, buzzers, time delays
- Additional options include: underplatform LED lighting, electrical receptacles on platforms, Air Fittings

Cranes

Cranes

Mezzanine

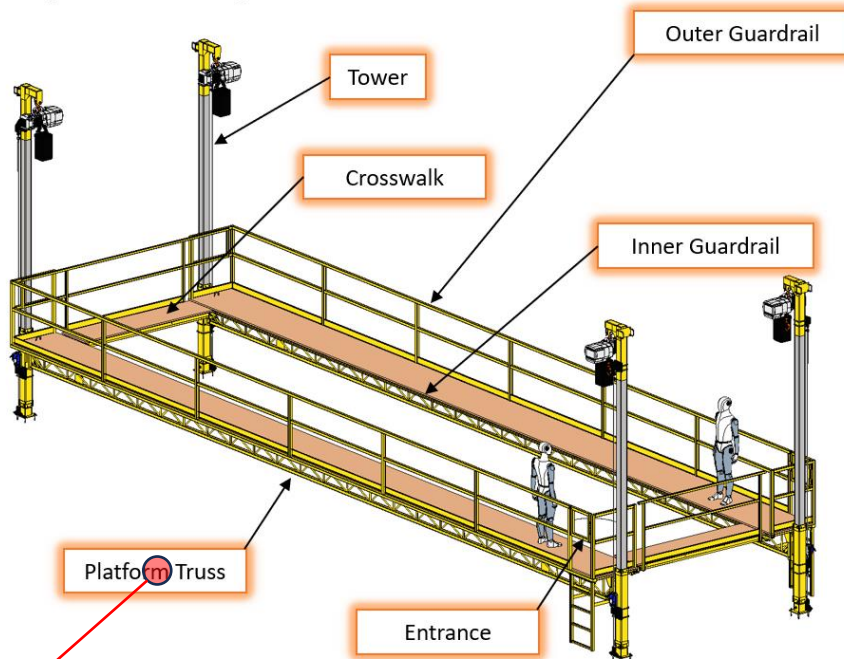
Mezzanine

Fall Protection

Fall Protection

Misc.

Misc.



Product specifications and dimensions are approximate and for informational purposes only. Variations may occur due to design or manufacturing adjustments. For exact measurements, please confirm with our customer service before ordering. PWI reserves the right to modify specifications without notice.

P: (574) 646-2015

Revised: 12/5/2024

244



pwiworks.com

To the first slide of that product page

To the Index menu of that category

To the Main Menu

Revised: 1/13/2025

